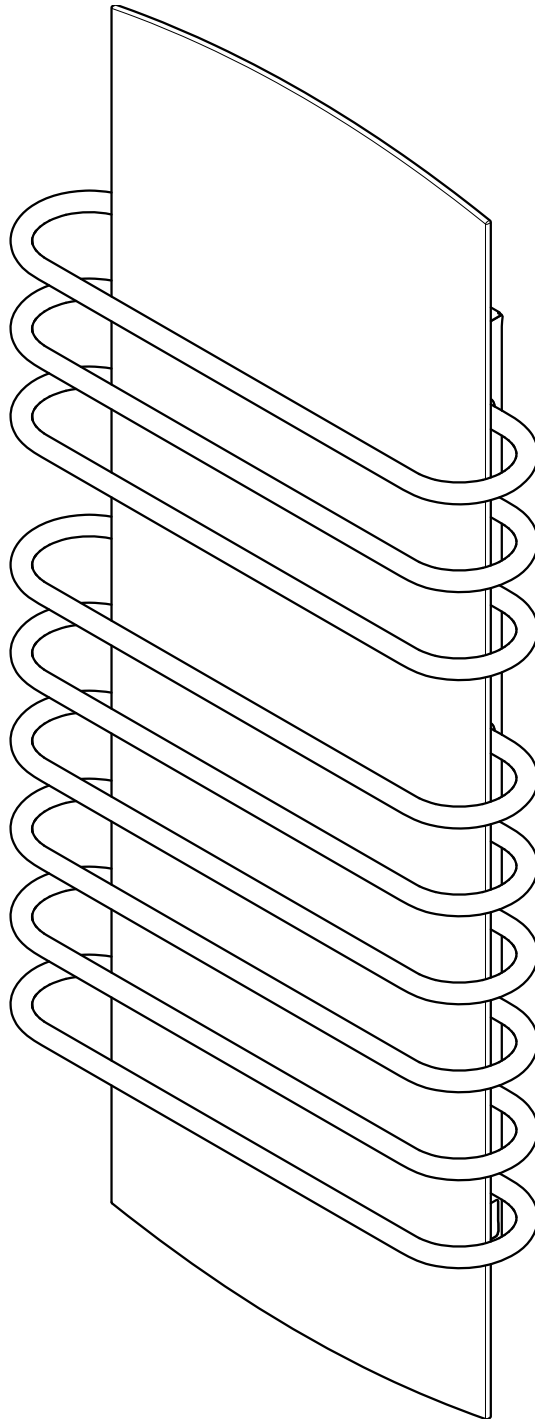


Dimplex

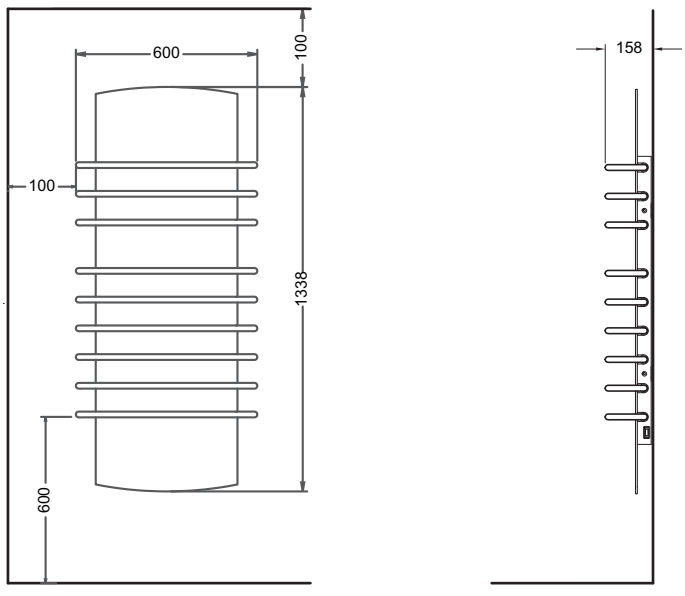


08/51005/0 - Issue 0

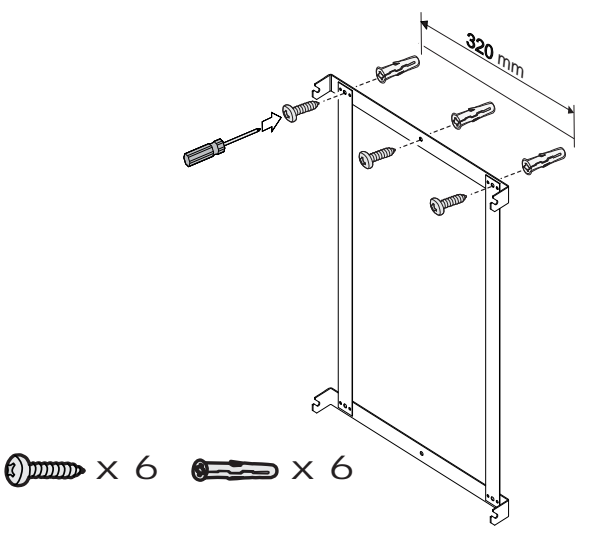


The product complies with the European Safety Standards EN60335-2-30 and the European Standard Electromagnetic Compatibility (EMC) EN55014, EN60555-2 and EN60555-3. These cover the essential requirements of EEC Directives 2006/95/EC and 2004/108/EC

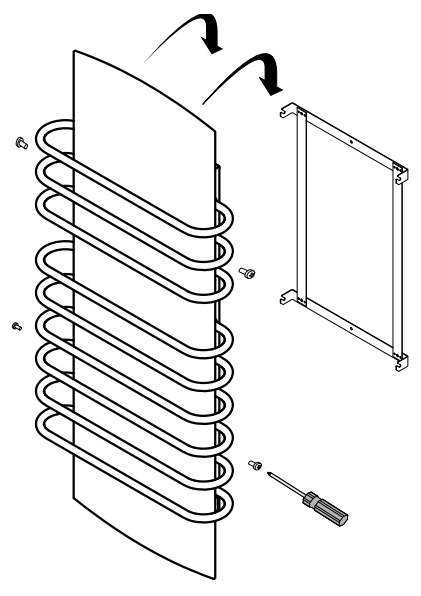
1



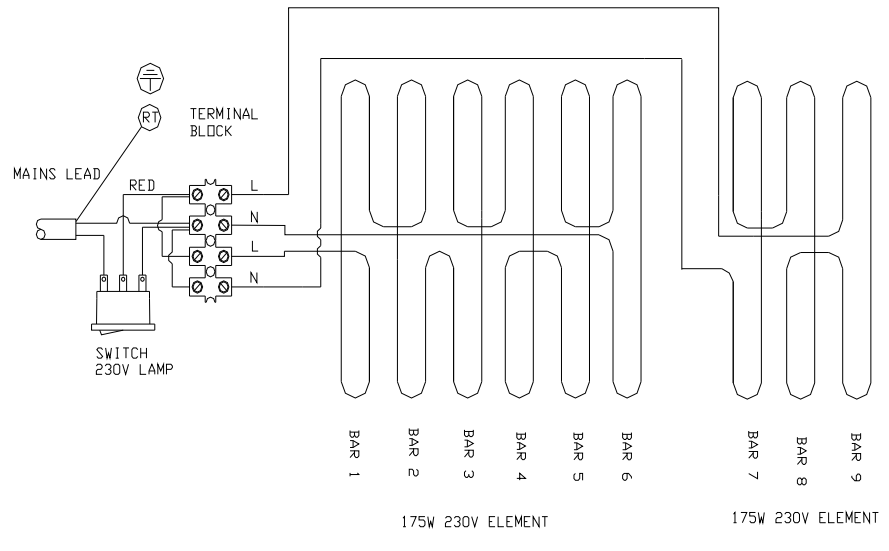
2



3



4



Installation and Operating Instructions

Ladder Towel Rails

Models : LT 350B and LT 350W



IPX4

IMPORTANT: THESE INSTRUCTIONS SHOULD BE READ CAREFULLY AND RETAINED FOR FUTURE REFERENCE

| Models | Specification |
|--------|---------------------------------|
| LT350B | 350W, 9 Rails, Reflective Glass |
| LT350W | 350W, 9 Rails, White Glass |

IMPORTANT SAFETY ADVICE

WARNING –THE SURFACE OF THESE TOWEL RAILS CAN BE HOT. The surface temperatures are within the requirements of EN60335-2-43, the European standard covering the safety requirements of electrically heated towel rails. In order to be effective the towel rail will get hot, however momentary contact with any part of it should not cause injury.

CAUTION – Aged or infirm persons and young children should not be left unsupervised in the vicinity of the towel rail. Precautions should be taken to ensure that prolonged contact with the towel rail cannot occur. Particular care should be taken in confined areas where accidental prolonged contact with the rail could be more likely to occur.

IMPORTANT – If the towel rail is to be installed in a place used by the public, a warning notice should be placed adjacent to the rail advising that the surface can be hot.

If the supply cord is damaged it must be replaced by the manufacturer or service agent or a similarly qualified person in order to avoid a hazard.

WARNING - In order to avoid a hazard for very young children, this appliance should be installed so that the lowest heated rail is at least 600mm above the floor.

This appliance should only be used to dry fabrics washed in water using commonly available detergents.

Do not locate the heater immediately above or below a fixed socket outlet or connection box.

General

The LT350 towel rail is designed to provide an all year round service for airing towels and articles of clothing. It is not intended to provide a sole heating service, but will take the chill off a normal size bathroom or toilet. Your rail will have silver chromium plated rails with either a reflective or white glass finish.

No routine maintenance is necessary apart from occasional cleaning. Both models are splashproof to IPX4 standard.

Electrical connection

WARNING – THIS APPLIANCE MUST BE EARTHED

The electrical installation of this towel rail must be carried out by a competent electrician in accordance with the current I.E.E Regulations for Electrical Equipment. The towel rail is suitable for use on an A.C.~ electrical supply. Before installation check that the supply voltage corresponds with that marked on the rail. The supply circuit to the heater must incorporate a double pole isolating switch having a contact separation of at least 3mm.

IMPORTANT - The wires in the mains lead are coloured in accordance with the following code:

| | | |
|-------------------------|---|----------------|
| GREEN and YELLOW | - | EARTH |
| BLUE | - | NEUTRAL |
| BROWN | - | LIVE |

As the colours of the wires in the mains lead of this appliance may not correspond with the coloured markings identifying the terminals in your fixed socket outlet, proceed as follows:

The wire which is coloured **GREEN** and **YELLOW** must be connected to the terminal in the fixed socket outlet which is marked with the letter **E** or by the earth symbol \oplus or coloured green or green and yellow.

The wire which is coloured **BLUE** must be connected to the terminal which is marked with the letter **N** or coloured black

The wire which is coloured **BROWN** must be connected to the terminal which is marked with the letter **L** or coloured red.

This appliance must only be used on A.C. mains supply of 230/240 Volts~.

Installation

IMPORTANT – Protect the electrical connection whilst handling the towel rail.

Operation (Electrical)

The towel rail may be switched on and off by means of a switch located on the bottom right hand side behind the glass edge. Heat will be distributed along each of the rails and a smaller amount from the glass panel.

Some variation in the temperature across the surface of the rail is also normal. When the appliance is covered the heating pattern of the rails may alter slightly.

Wall mounting

The towel rail must be permanently fixed to the wall using the wall mounting bracket and screws supplied. The rail must be mounted vertically as shown observing the minimum clearances stated (see Fig. 1).

The accessory pack contains a wall mounting bracket, six Ø6mm screws and wall plugs, which will secure the towel rail to the wall.

Place the wall mounting bracket against the wall as shown. (see Fig. 2). Ensure the bracket is horizontal, mark the hole positions and drill and plug wall to suit. Then secure the wall bracket using the screws supplied.

Hang the towel rail on to the bracket, ensuring all four locking locations are secure. Tighten all four locking screws as shown. (see Fig.3)

Wiring

- see Wiring Diagrams : for LT350B and LT350W see Fig. 4

Drying and Airing Towels

It is recommended that for efficient drying, no more than two layers of towels or similar fabric should be draped over each rail. Items should be placed evenly over the whole surface of the rail where possible.

Cleaning

The finish on your towel rail can be maintained by occasionally wiping over with a damp cloth and lightly finishing with a soft dry cloth. This should only be carried out when the rail is cold. **Do not** use abrasive cleaning powders as this could damage the surface finish.

It is not advisable to leave very damp towels or clothes on the towel rail when **not** switched on, as this may in time, affect the product finish.

The rail, although hot to the touch is not hot enough to scorch or burn fabrics. However, soap and detergents remaining in articles after washing can cause discoloration. Therefore care should be taken to thoroughly rinse articles before airing.

Recycling

For electrical products sold within the European Community.



At the end of the electrical products useful life it should not be disposed of with household waste. Please recycle where facilities exist. Check with your Local Authority or retailer for recycling advice in your country.

After Sales Service

Your product is guaranteed for two years from the date of purchase.

Within this period, we undertake to repair or exchange this product free of charge provided it has been installed and operated in accordance with these instructions.

Your rights under this guarantee are additional to your statutory rights, which in turn are not affected by this guarantee.

Should you require after sales information or assistance with this product please go to www.dimplex.co.uk where you will find our self help guide by clicking on "After Sales" or ring our helpdesk on 0845 600 5111 (UK) or 01 842 4833 (R.O.I.) .

Spare parts are also available on the website

www.dimplex.co.uk

Please retain your receipt as proof of purchase.

Dimplex
Millbrook House
Grange Drive
Hedge End
Southampton
SO30 2DF

[c] GDC Group Ltd,

TEL: 0845 600 5111

FAX: 01489 773050

WEBSITE: www.dimplex.co.uk

Republic of Ireland Tel. 01 8424833

All rights reserved. Material contained in this publication may not be reproduced in whole or in part, without prior permission in writing of Dimplex.

A division of GDC Group Ltd,