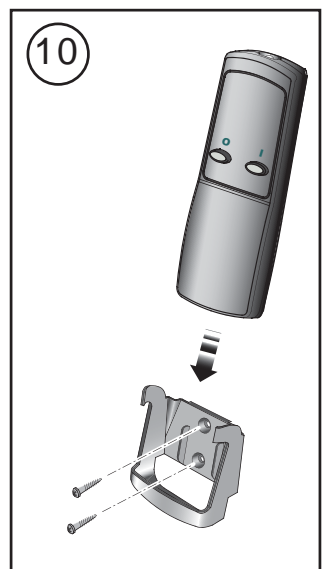
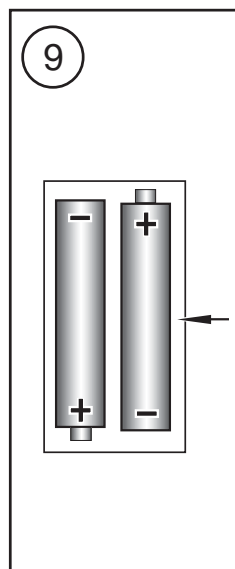
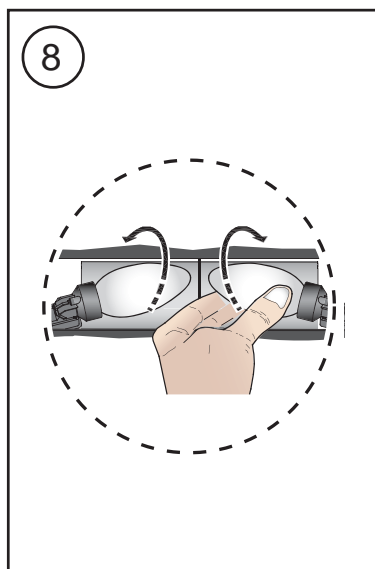
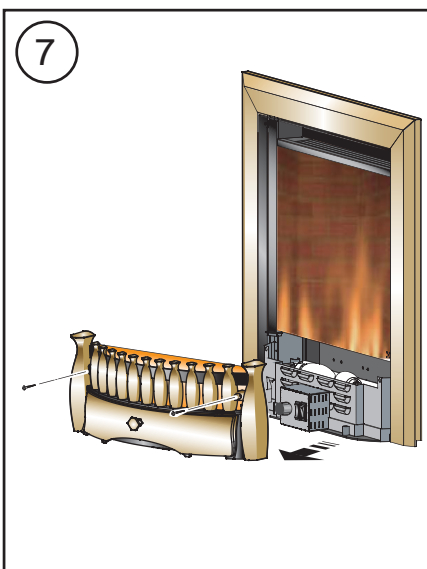
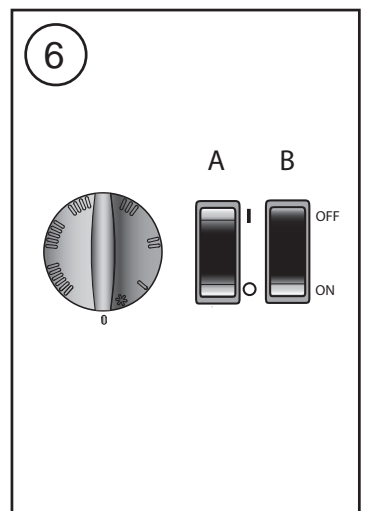
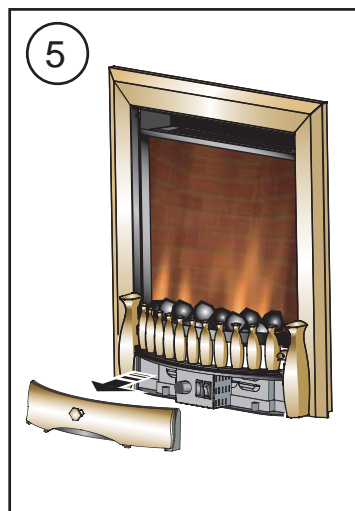
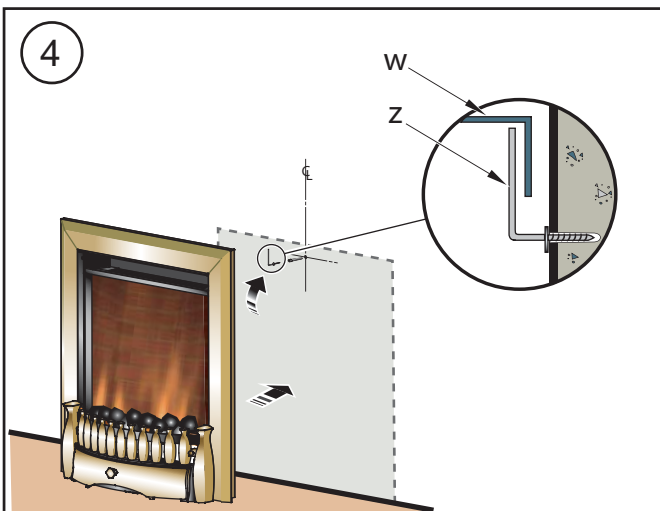
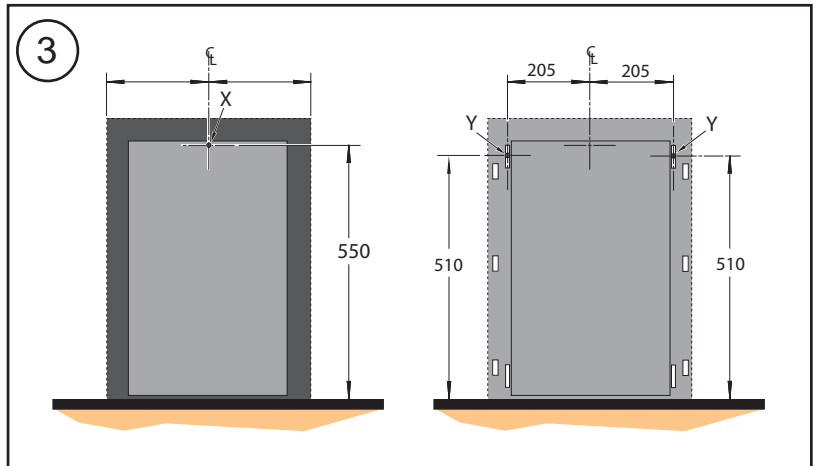
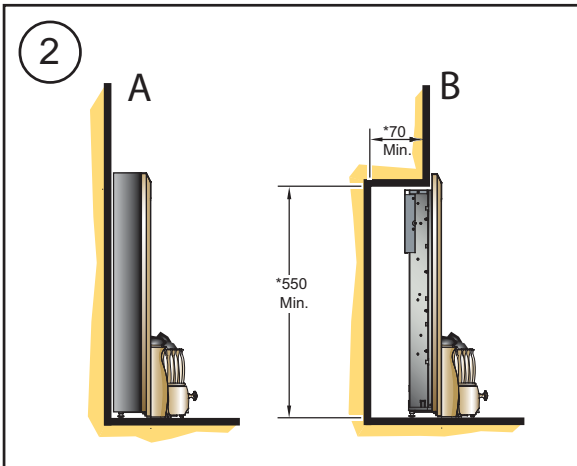
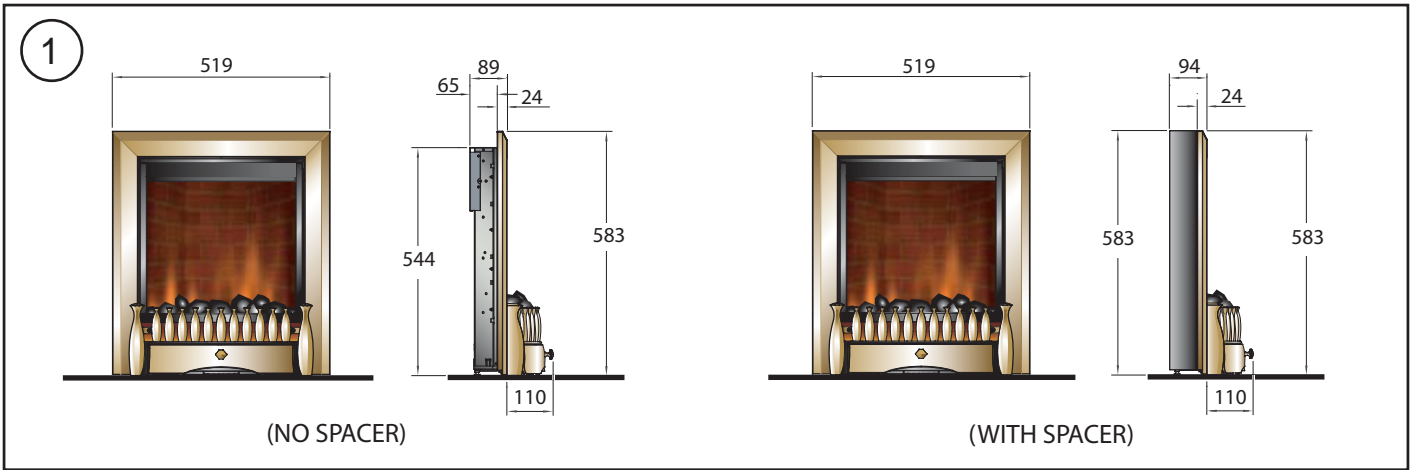


Dimplex



LOXLEY LXY15



Important Safety Advice

When using electrical appliances, basic precautions should always be followed to reduce the risk of fire, electrical shock, and injury to persons, including the following:

If the appliance is damaged, check with the supplier before installation and operation.

Do not use outdoors.

Do not use in the immediate surroundings of a bath, shower or swimming pool.

Do not locate the heater immediately below a fixed socket outlet or connection box.

Do not cover the heater. Do not place material or garments on the heater, or obstruct the air circulation around the heater, for instance by curtains or furniture, as this could cause overheating and a fire risk.

This appliance is not intended for use by children or other persons without assistance or supervision if their physical, sensory or mental capabilities prevent them from using it safely. Children should be supervised to ensure that they do not play with the appliance.

Do not use this heater in series with a thermal control, a program controller, a timer or any other device that switches on the heat automatically, since a fire risk exists when the heater is accidentally covered or displaced.

Caution: In order to avoid a hazard due to inadvertent resetting of the thermal cut-out, this appliance must not be supplied through an external switching device, such as a timer, or connected to a circuit that is regularly switched on and off by the utility.

Ensure that furniture, curtains or other combustible material are positioned no closer than 1 metre from the heater.

In the event of a fault unplug the heater.

Unplug the heater when not required for long periods.

Although this heater complies with safety standards, we do not recommend its use on deep pile carpets or on long hair type of rugs.

The appliance must be positioned so that the plug is accessible.

If the supply cord is damaged it must be replaced by the manufacturer or service agent or a similarly qualified person in order to avoid a hazard.

Keep the supply cord away from the front of the heater.

General

Unpack the heater carefully and retain the packaging for possible future use, in the event of moving or returning the fire to your supplier. The Remote Control and batteries are packed separately in the carton. Loose coals are also packed separately within the carton. When the heater is assembled the coals are placed on top of the fuel bed.

The fire incorporates a flame effect, which can be used with or without heating, so that the comforting effect may be enjoyed at any time of the year. Using the flame effect on its own only requires little electricity.

The heater is designed for use inset into a 407mm (16") or 457mm (18") wide by 559mm (22") high fireplace opening or freestanding - see also section 'Installation in a fire place opening'. To reduce heat loss and to prevent any chimney up draught affecting the operation of your inset fire we recommend that the chimney flue is sealed off.

Before connecting the heater check that the supply voltage is the same as that stated on the heater.

Please note: Used in an environment where background noise is very low, it may be possible to hear a sound which is related to the operation of the flame effect. This is normal and should not be a cause for concern.

Installation in a Fireplace Opening

At the rear of the fire, two adjustable feet are provided for levelling the fire where the base of the fireplace opening is raised above the level of the hearth.

Adjust the foot by rotating it to the required position.

The metal surround may be removed (six screws) to allow the fire to be fully inset as indicated in **Fig. 2B**. The minimum opening size required for the fire to be fully inset is *392mm wide, *550mm high and *70mm deep - see **Fig. 1**. Alternatively the metal surround may be left on and positioned freestanding against a wall as indicated in **Fig. 2A**.

To ensure the appliance stability, the fire is supplied with a hook and rawl plug. The rawl plug supplied is suitable for use in block walls (special fasteners required on stud walls).

Spacer attached - Fig. 3A: In the event that the fire is to be positioned against a wall with the metal spacer attached, the fixing position of the hook is indicated by 'X' in **Fig. 3A**. When the hook is securely fastened, centre the fire to the hook. Lift the fire up and over the hook (see 'z' in **Fig. 4**) ensuring that the surround (see 'w' in **Fig. 4**) engages the hook.

No Spacer attached - Fig. 3B: In the event that the fire is to be positioned fully inset without the metal spacer, the fixing position of the hook is indicated by 'Y' (the hook can be positioned on either side of the fire) in **Fig. 3B**. When the hook is securely fastened, position the top outer slot on the fire (see **Fig. 3B**) alongside the hook, lift the fire up and over the hook so that the top outer slot on the fire engages the hook.

Electrical connection

WARNING – THIS APPLIANCE MUST BE EARTHED.

This heater must be used on an AC ~ supply only and the voltage marked on the heater must correspond to the supply voltage.

Before switching on, please read the safety warnings and operating Instructions.

Controls - see Fig. 6

The product can be controlled both manually and by remote control.

Manual Controls

The fire controls are located at the base of the fire behind the bottom fret - see **Fig. 5**.

To gain access to controls, remove fret by pulling outwards using fret knob. Two switches and a thermostat knob provide a choice of fire settings see **Fig. 6**. The red indicator mark on the switch will be visible when it is turned on.

Switch B Controls the electricity supply to the heater.

Note: This switch must be in the ON position for the heater to operate with or without heat.

Switch A Controls the function of the fire.

Press once to give flame effect only.

Press again to give heat and flame effect.

Press again to go back to flame effect only.

Pressing 'O' at any stage turns the fire to standby mode.

Note: To turn fire completely off use switch B.

Thermostat

In order to maintain a certain room temperature, set the controller to 'max.'. Operate the appliance at full power until the required room temperature is reached. Set back the thermostatic controller until the appliance switches off. This temperature will be kept almost constant by the thermostatic control switching on and off automatically. Please note that the appliance can only be switched on when the thermostat setting is higher than the room temperature.

Initializing the Remote Control

Note: The remote control is packed separately in the carton.

1. Slide open the battery cover on the back of the remote transmitter.
2. Install the AAA batteries into the remote control (see **Fig. 9**).
3. Replace battery cover.

Dispose of batteries in the proper manner according to Provincial and local regulations. Any battery may leak electrolyte if mixed with a different battery type, if inserted incorrectly, if all the batteries are not replaced at the same time, if disposed of in a fire or if an attempt is made to charge a battery not intended to be recharged.

Remote Control Operation

Warning: It takes some time for the receiver to respond to the transmitter. Do not press the buttons more than once within two seconds for correct operation. On the control panel, switch B must be in the 'ON' position in order for the PCB to operate.

Setting

Flame effect

Flame effect and heat

Operation

Press 'I' button once

Press 'I' button again

By continuously pressing the 'I' button the fire will cycle between flame effect and flame effect plus heat.

To turn off any of the settings press the 'O' button once.

The remote control may be placed, when not in use, in the wall-mounted holster provided (see **Fig. 10**).

Thermal Safety Cut-out

For your safety, this appliance has been fitted with thermal cut-out. In the event that the product overheats, the cut-out switches the appliance off automatically.

To bring the appliance back into operation, remove the cause of the overheating, then unplug or turn off the electrical supply to the heater for up to 10 minutes.

When the heater has cooled sufficiently, re-connect and switch on the heater.

Caution: In order to avoid a hazard due to inadvertent resetting of the thermal cut-out, this appliance must not be supplied through an external switching device, such as a timer, or connected to a circuit that is regularly switched on and off by the utility.

Maintenance

WARNING: ALWAYS DISCONNECT FROM THE POWER SUPPLY BEFORE ATTEMPTING ANY MAINTENANCE.

Lamp Replacement - see **Fig.'s 7 & 8**

There are two lamps located beneath the fuel effect. To gain access to the lamps, remove the coal and place in a container. Remove the grate/fuel effect by unscrewing the two screws, lift away the grate/fuel effect to allow access to the bulbs - see **Fig. 7**.

Remove the defective lamp by unscrewing it as shown in **Fig. 8**.

Replace with a 60W E14 SES Clear Candle lamp. Take care not to over-tighten the lamp.

Refit the fuel effect and replace the coal.

Cleaning

WARNING – ALWAYS DISCONNECT FROM THE POWER SUPPLY BEFORE CLEANING THE HEATER.

For general cleaning use a soft clean duster – never use abrasive cleaners. The glass viewing screen should be cleaned carefully with a soft cloth. DO NOT use proprietary glass cleaners.

To remove any accumulation of dust or fluff the soft brush attachment of a vacuum cleaner should occasionally be used to clean the outlet grille of the fan heater.

Recycling



For electrical products sold within the European Community.

At the end of the electrical products useful life it should not be disposed of with household waste. Please recycle where facilities exist. Check with your Local Authority or retailer for recycling advice in your country.

After Sales Service

Your product is guaranteed for one year from the date of purchase.

Within this period, we undertake to repair or exchange this product free of charge (excluding lamps & subject to availability) provided it has been installed and operated in accordance with these instructions.

Your rights under this guarantee are additional to your statutory rights, which in turn are not affected by this guarantee. Should you require after sales information or assistance with this product please go to www.dimplex.co.uk where you will find our self help guide by clicking on "After Sales" or ring our helpdesk on 0845 600 5111 (UK) or 01 842 4833 (R.O.I.) .

Spare parts are also available on the website

www.dimplex.co.uk

Please retain your receipt as proof of purchase.

DIMPLEX
MILLBROOK HOUSE
GRANGE DRIVE
HEDGE END
SOUTHAMPTON
SO30 2DF

TEL: 0845 600 5111
FAX: 01489 773050
WEBSITE: www.dimplex.co.uk
Republic of Ireland Tel. 01 8424833

[c] GDC Group Ltd,

All rights reserved. Material contained in this publication may not be reproduced in whole or in part, without prior permission in writing of Dimplex.

A division of GDC Group Ltd,