

# Dimplex

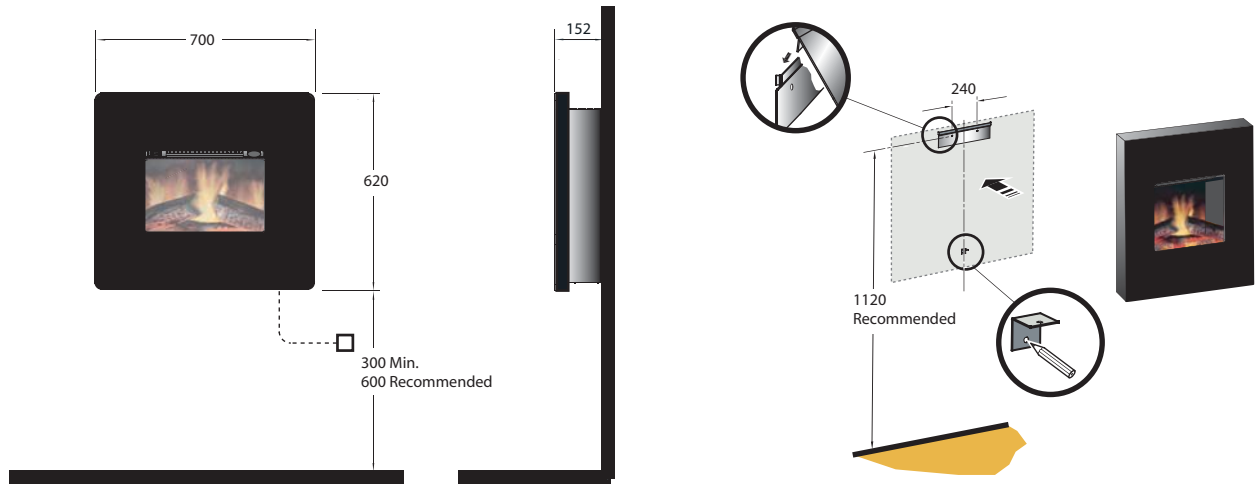


Ravello RVO20

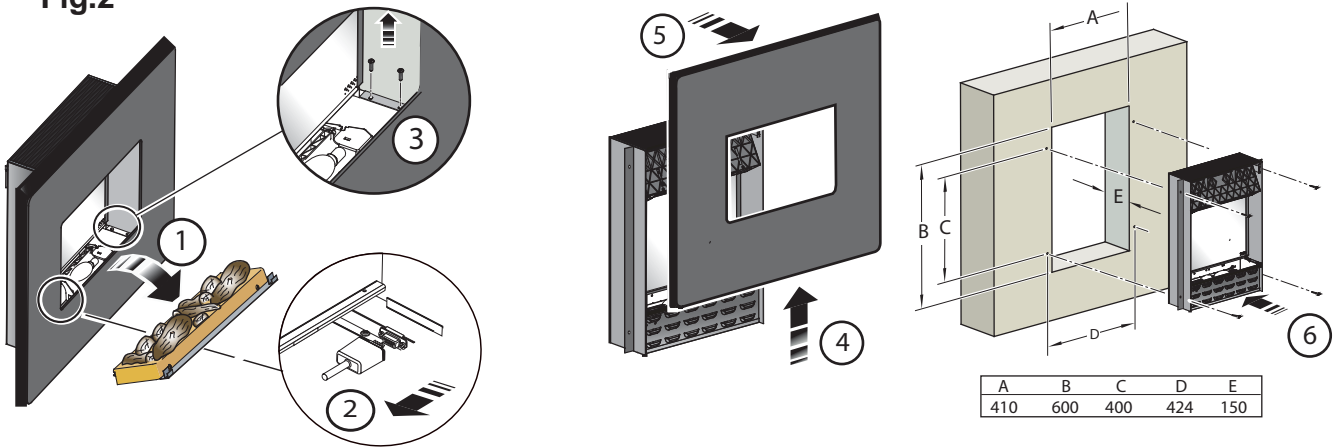
UK



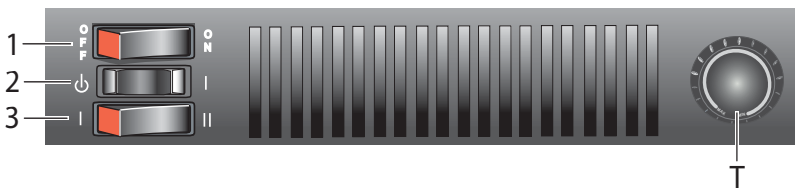
**Fig.1**



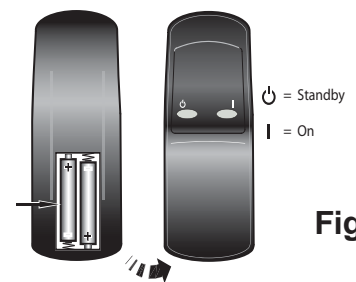
**Fig.2**



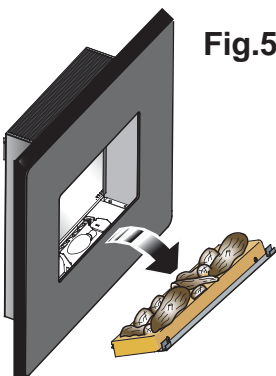
**Fig.3**



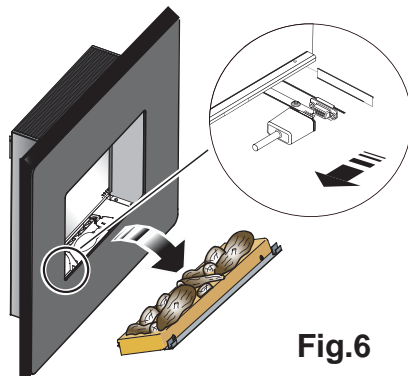
**Fig.4**



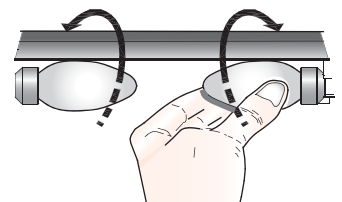
**Fig.5**



**Fig.6**



**Fig.7**



# Ravello RVO20 Wall Fire

**IMPORTANT: THESE INSTRUCTIONS SHOULD BE READ CAREFULLY AND RETAINED FOR FUTURE REFERENCE**

## Important Safety Advice

**When using electrical appliances, basic precautions should be followed to reduce the risk of fire, electric shock, and injury to persons, including the following:**

**If the appliance is damaged, check immediately with the supplier before installation and operation.**

**Do not use this heater in the immediate surroundings of a bath, shower or swimming pool.**

**Do not use outdoors.**

**This heater must not be located immediately above or below a fixed socket outlet or connection box.**

**Do not cover or obstruct in any way the heat outlet grille located underneath the heater. Overheating will result if the heater is accidentally covered.**

**In the event of a fault unplug the heater.**

**Unplug the heater when not required for long periods.**

**The supply cord must be placed on the right hand side of the heater away from the heat outlet underneath the heater.**

**Although this heater complies with safety standards, we do not recommend its use on deep pile carpets or on long hair type of rugs.**

**This appliance is not intended for use by children or other persons without assistance or supervision if their physical, sensory or mental capabilities prevent them from using it safely. Children should be supervised to ensure that they do not play with the appliance.**

**The appliance must be positioned so that the plug is accessible.**

**If the supply cord is damaged it must be replaced by the manufacturer or service agent or similarly qualified person in order to avoid a hazard.**

**Caution: In order to avoid a hazard due to inadvertent resetting of the thermal cut-out, this appliance must not be supplied through an external switching device, such as a timer, or connected to a circuit that is regularly switched on and off by the utility.**

**Where an appliance is Recessed, necessity to allow disconnection of the appliance from the electrical supply is required. Incorporate a switch in the fixed wiring in accordance with the Wiring regulations.**

## General

Unpack the heater carefully and retain the packaging for possible future use, in the event of moving or returning the fire to your supplier.

The fire incorporates a flame effect, which can be used with or without heating, so that the comforting effect may be enjoyed at any time of the year. Using the flame effect on its own only requires little electricity.

Before connecting the heater check that the supply voltage is the same as that stated on the heater.

Please note: Used in an environment where background noise is very low, it may be possible to hear a sound which is related to the operation of the flame effect. This is normal and should not be a cause for concern.

## Electrical connection

**WARNING – THIS APPLIANCE MUST BE EARTHED**

This heater must be used on an AC ~ supply only and the voltage marked on the heater must correspond to the supply voltage.

Before switching on, please read the safety warnings and operating instructions.

## Wall fixing - see Fig. 1

The appliance should be securely fixed to the wall using the wall plugs and screws supplied for block walls.

Note – for studded walls special fasteners are required, see diagram for recommended position of fixing screws.

## Recessed Installation - see Fig. 2

Please note that this appliance can also be wall-mounted so that it is recessed. This can be installed in a large fireplace opening or a purpose built wall. See Table 1 for size of recess required and hole fixing dimensions.

This fireplace insert does NOT require venting.

In order to ensure its future safety in use, it is essential that this fire is securely fixed to the wall.

IT IS IMPORTANT THAT THE FIXING DEVICE CHOSEN IS APPROPRIATE TO THE WALL MATERIAL TO WHICH THE FIRE IS BEING FIXED. SOME MODERN INTERNAL BUILDING MATERIALS ARE VERY LOW DENSITY BLOCK AND REQUIRE SPECIALIZED FIXING DEVICES TO PROVIDE A SAFE, SECURE INSTALLATION.

The installation of this fire should be carried out by a competent person. If in doubt please consult your local builder. This section provides step by step instructions for selecting a location and preparing the site to install the fireplace into the following:

## Existing Fireplace

1. Make sure that the fire is located on a flat surface.
2. Seal all draughts and vents to prevent chimney debris from falling onto the Fireplace Insert. Do not install into an existing fireplace that is prone to dampness.
3. Remove the front/trim by following the steps in Fig 2.
4. Locate the 4 fixing holes, position the fire accordingly, and firmly fix the appliance to the wall using the appropriate screws
5. Replace the front/trim.

## New Support Structure Construction

When planning where to position your purpose built support structure the following steps must be observed:

1. Place the fire in the desired location to see how it will look in the room.
2. Mark the desired location for the new support structure in the room and store the fire in a safe, dry and dust free location.
3. Using timber studs to support the fire, devise and construct a suitable means of supporting the product within the wall partition and provide electrical power for the fire to be HARD wired. For recommended sizes of height, width and depth of opening for recess and hole fixing dimensions for each model
4. Remove the front/trim by following the steps in Fig 2.
5. Locate the 4 fixing holes, position the fire accordingly, and firmly fix using the appropriate screws.
6. Replace the front/trim.

NOTE: The appliance should be HARD wired to an electrical power outlet when placed in a recessed installation. Please consult a qualified electrician for appropriate wiring requirements.

## Controls - see Fig. 3

The product can be controlled both manually and by remote control.

### Manual Controls

Three switches provide a choice of heat setting. A switch is in the ON position when the side with the markings on is pushed in..

**Switch 1** Controls the electricity supply to the heater.

Note: This switch must be in the ON position for the heater to operate with or without heat.

**Switch 2** Controls the function of the fire.

Press once to the right give flame effect only.

Press again to give heat and flame effect.

Press again to go back to flame effect only.

Pressing the button in the opposite direction at any

stage turns the fire to standby mode.

**Switch 3** Controls the heat output from 1kw to 2kw. The 2kw output is achieved when in ( II ) position.

Note: To turn fire completely off use **Switch 1**.

### Thermostat - T

In order to maintain a certain room temperature, set the controller to 'max.'. Operate the appliance at full power until the required room temperature is reached. Set back the thermostatic controller until the appliance switches off. This temperature will be kept almost constant by the thermostatic control switching on and off automatically. Please note that the appliance can only be switched on when the thermostat setting is higher than the room temperature.

### Initializing the Remote Control - see Fig. 4

Note: The remote control is packed separately in the carton.

1. Slide open the battery cover on the back of the remote transmitter.
2. Install the AAA batteries into the remote control
3. Replace battery cover.

Dispose of batteries in the proper manner according to Provincial and local regulations. Any battery may leak electrolyte if mixed with a different battery type, if inserted incorrectly, if all the batteries are not replaced at the same time, if disposed of in a fire or if an attempt is made to charge a battery not intended to be recharged.

### Remote Control Operation

Warning: It takes some time for the receiver to respond to the transmitter. Do not press the buttons more than once within two seconds for correct operation. On the control panel, switch 1 must be in the 'ON' position in order for the PCB to operate.

#### Setting

Flame effect

Flame effect and heat

#### Operation

Press 'I' button once

Press 'I' button again

By continuously pressing the 'I' button the fire will cycle between flame effect and flame effect plus heat.

To turn off any of the settings press the 'O' button once.

The remote control may be placed, when not in use, in the wall-mounted holster provided .

## Safety cut-out

For your safety, this appliance has been fitted with thermal cut-out. In the event that the product overheats, the cut-out switches the heat off automatically.

To bring the heat back into operation, remove the cause of the overheating, then unplug or turn off the electrical supply to the heater for up to 10 minutes.

When the heater has cooled sufficiently, re-connect and switch on the heater.

## Maintenance

**WARNING: ALWAYS DISCONNECT FROM THE POWER SUPPLY BEFORE ATTEMPTING ANY MAINTENANCE.**

### Instructions for removing fuel effect

Carefully remove the log effect from the fire by lifting it up and moving it out. (See Fig.5) Disconnect the 9way connector to completely detach the logset from the fire (See Fig.6).

## Lamp Replacement - see Fig. 7

**Warning – Always disconnect from the power supply before removing lamps.**

The lamps reach high temperatures during operation. For this reason, allow the lamps to cool down after switching off the appliance. The lamps are located under the fuel effect

Carefully remove the fuel effect from the fire. The defective lamps should be replaced with a 60W E14 SES clear candle bulb.

## Cleaning

**WARNING – ALWAYS DISCONNECT FROM THE POWER SUPPLY BEFORE CLEANING THE HEATER.**

For general cleaning use a soft clean duster – never use abrasive cleaners. The glass viewing screen should be cleaned carefully with a soft cloth. DO NOT use proprietary glass cleaners.

To remove any accumulation of dust or fluff the soft brush attachment of a vacuum cleaner should occasionally be used to clean the outlet grille of the fan heater.

## Recycling

For electrical products sold within the European Community.



At the end of the electrical products useful life it should not be disposed of with household waste. Please recycle where facilities exist. Check with your Local Authority or retailer for recycling advice in your country.

## After Sales Service

Your product is guaranteed for one year from the date of purchase.

Within this period, we undertake to repair or exchange this product free of charge (excluding lamps & subject to availability) provided it has been installed and operated in accordance with these instructions.

Your rights under this guarantee are additional to your statutory rights, which in turn are not affected by this guarantee.

Should you require after sales information or assistance with this product please go to [www.dimplex.co.uk](http://www.dimplex.co.uk) where you will find our self help guide by clicking on "After Sales" or ring our helpdesk on 0845 600 5111 (UK) or 01 842 4833 (R.O.I.) .

Spare parts are also available on the website

[www.dimplex.co.uk](http://www.dimplex.co.uk)

Please retain your receipt as proof of purchase.

DIMPLEX  
MILLBROOK HOUSE  
GRANGE DRIVE  
HEDGE END  
SOUTHAMPTON  
SO30 2DF

TEL: 0845 600 5111  
FAX: 01489 773050  
WEBSITE: [www.dimplex.co.uk](http://www.dimplex.co.uk)  
Republic of Ireland Tel. 01 8424833

[c] GDC Group Ltd,

All rights reserved. Material contained in this publication may not be reproduced in whole or in part, without prior permission in writing of Dimplex.

A division of GDC Group Ltd,