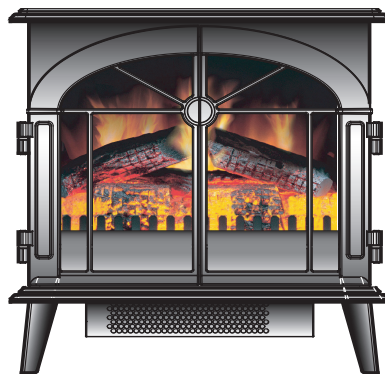


# Dimplex

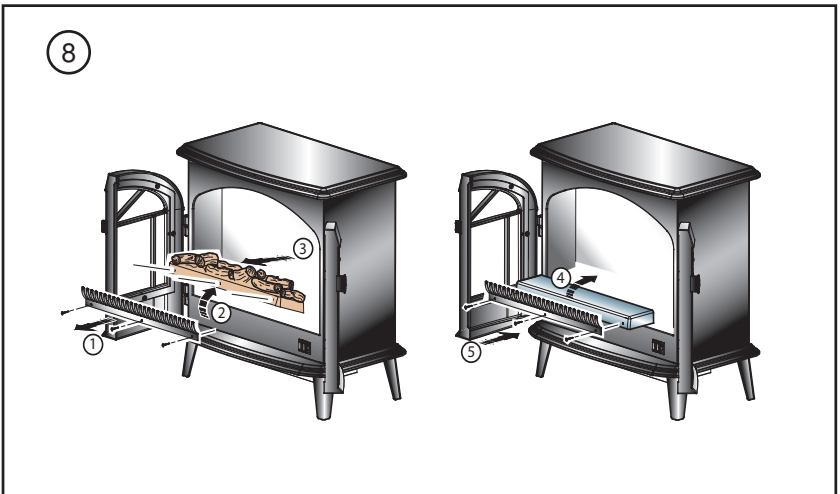
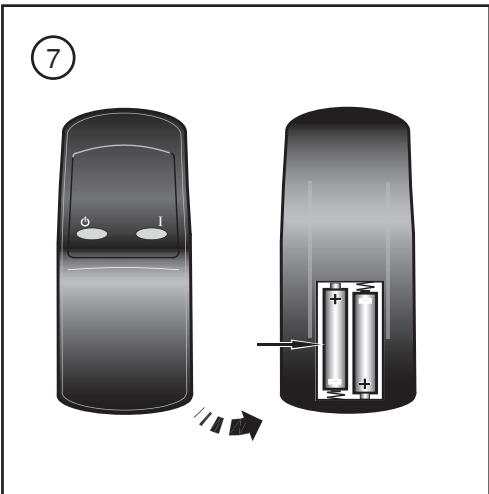
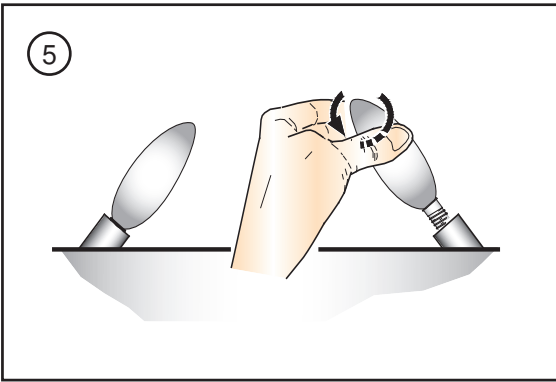
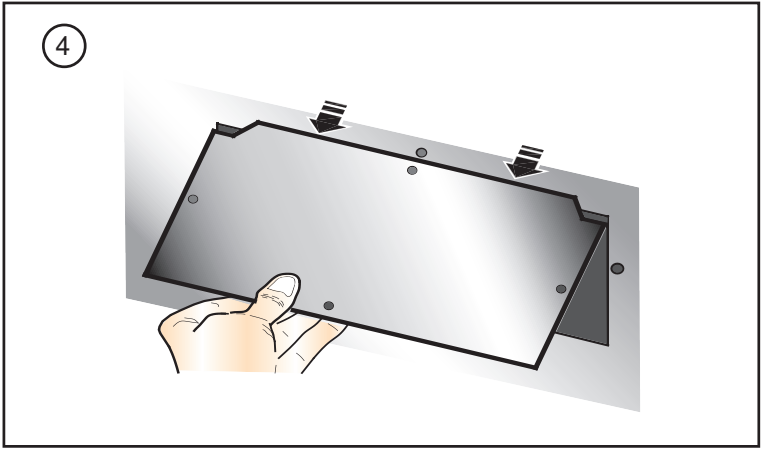
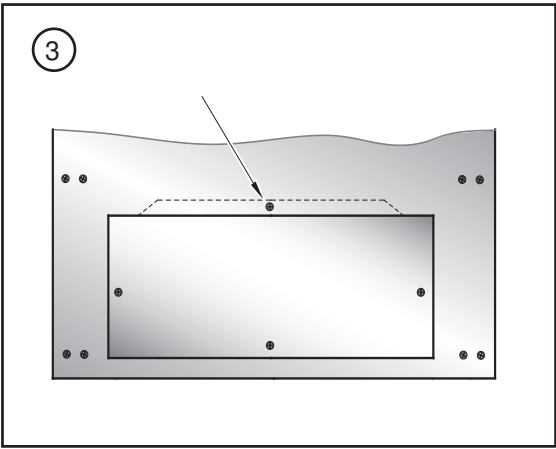
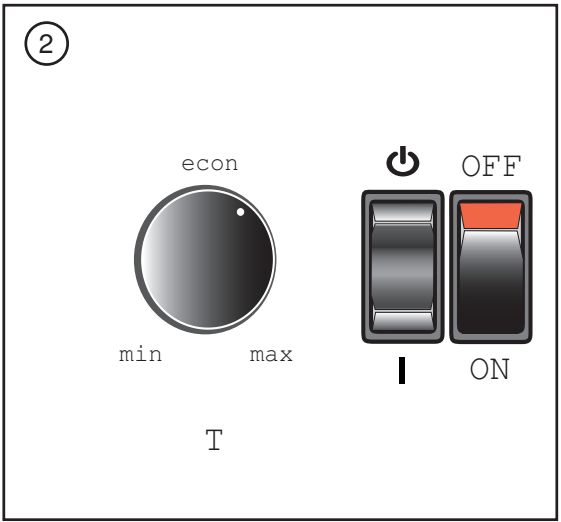
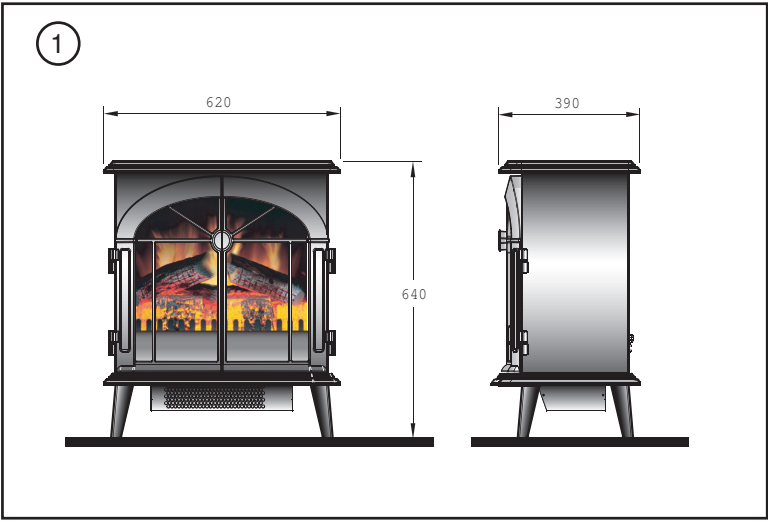


STOCKBRIDGE

CHEVALIER



08/50672/2 (UK) Issue 2



### Important Safety Advice

When using electrical appliances, basic precautions should always be followed to reduce the risk of fire, electrical shock and injury to persons, including the following:

If the appliance is damaged, check with the supplier before installation and operation.

Do not use outdoors.

Do not use in the immediate surroundings of a bath, shower or swimming pool.

Do not locate the heater immediately below a fixed socket outlet or connection box.

Do not cover the heater. Do not place material or garments on the heater, or obstruct the air circulation around the heater, for instance by curtains or furniture, as this could cause overheating and a fire risk.

This appliance is not intended for use by children or other persons without assistance or supervision if their physical, sensory or mental capabilities prevent them from using it safely. Children should be supervised to ensure that they do not play with the appliance.

Do not use this heater in series with a thermal control, a program controller, a timer or any other device that switches on the heat automatically, since a fire risk exists when the heater is accidentally covered or displaced.

Ensure that furniture, curtains or other combustible material are positioned no closer than 1 metre from the heater.

In the event of a fault unplug the heater.

Unplug the heater when not required for long periods.

Although this heater complies with safety standards, we do not recommend its use on deep pile carpets or on long hair type of rugs.

The appliance must be positioned so that the plug is accessible.

If the supply cord is damaged it must be replaced by the manufacturer or service agent or a similarly qualified person in order to avoid a hazard.

Keep the supply cord away from the front of the heater.

Warning: In order to avoid a hazard due to inadvertent resetting of the thermal cut-out, this appliance must not be supplied through an external switching device, such as a timer, or connected to a circuit that is regularly switched on and off by the utility.

### General

Unpack the heater carefully and retain the packaging for possible future use, in the event of moving or returning the fire to your supplier. These models are designed to be free standing and are normally positioned against a wall.

The fire incorporates a flame effect, which can be used with or without heating, so that the comforting effect may be enjoyed at any time of the year. Using the flame effect on its own only requires little electricity. A choice of 1kW or 2kW heat output is provided by the fan heater, which is located at the bottom of the unit.

Before connecting the heater check that the supply voltage is the same as that stated on the heater.

**Please note: Used in an environment where background noise is very low, it may be possible to hear a sound which is related to the operation of the flame effect. This is normal and should not be a cause for concern.**

### Electrical connection

**WARNING – THIS APPLIANCE MUST BE EARTHED.**

This heater must be used on an AC ~ supply only and the voltage marked on the heater must correspond to the supply voltage.

Before switching on, please read the safety warnings and operating instructions.

### Controls - see Fig. 2

These main ON/OFF switch must first be turned ON to operate any of the other controls.

Setting	Operation	Indication
Flame Effect	Press the 'I' button once	Bottom Neon
Flame Effect & 1kW heat	Press the 'I' button again	Bottom & middle neon
Flame Effect & 2kW heat	Press the 'I' button again	All 3 neons
To turn off any of the settings	Press the 'O' button once.	

### LED indicators - see Fig. 6

Three LED's as shown in Fig. 6 indicate the setting for a couple of seconds every time you change the setting.

One LED means ON (flame effect only, no heat), two LED's means 1kW heat and all three LED's are on to indicate full 2kW heat setting.

### Remote control - see Fig. 7

The maximum range of use is ~ 15metres.

The buttons on the remote control have the same function as the switches on the heater.

For details on the function please refer to the 'Controls' section above.

Warning: It takes time for the receiver to respond to the transmitter.

Do not press the buttons more than once within two seconds for correct operation.

### Battery information - see Fig. 7

1. Slide open the battery cover on the back of the remote control
2. Install AAA batteries into the remote control
3. Replace the battery cover.

### Discard leaking batteries

Dispose of batteries in the proper manner according to provincial and local regulations.

Any battery may leak electrolyte if mixed with a different battery type, if inserted incorrectly; if all the batteries are not replaced at the same time; if disposed of in a fire, or if an attempt is made to charge a battery not intended to be recharged.

### Lamp Replacement - see Fig. 3, Fig. 4 and Fig. 5

The lamps are located behind the back panel. To gain access to the lamps, the screws indicated in Fig. 3 which secure the back panel, must be removed.

Remove and slide out panel as indicated on Fig. 4.

Remove the defective lamp by unscrewing it as shown in Fig. 5.

Replace with a 60W E14 SES Clear candle lamp. Take care not to over-tighten the lamp.

Refit the back panel and secure with the screws.

### Thermostat (T) - see Fig. 2

In order to maintain a certain room temperature, set the controller to 'max.'. Operate the appliance at full power until the required room temperature is reached. Set back the thermostatic controller until the appliance switches off with an audible "click". This temperature will be kept almost constant by the thermostatic control switching on and off automatically. Please note that the appliance can only be switched on when the thermostat setting is higher than the room temperature.

### Thermal Safety Cut-out

The built-in overheat cut-out switches off the appliance automatically in the event of a fault. If this occurs switch off the appliance or disconnect the mains plug from the socket. Remove any obstructions which may have caused the overheating. After a short cooling down phase, the appliance is ready for use again. If the fault should occur again, unplug the appliance and contact your local dealer.

grille of the fan heater.

### Recycling



For electrical products sold within the European Community.

At the end of the electrical products useful life it should not be disposed of with household waste. Please recycle where facilities exist. Check with your Local Authority or retailer for recycling advice in your country.

## Instructions for fitting Coal Option - see Fig. 8

### Introduction

Your fire is provided with a coal effect option. Simply follow the instructions given below.

### Removal of Log Effect

Remove the screws securing the log effect assembly and slide out (see Fig. 8).

### Fitting Coal Effect

Fit the coal effect in position and secure with the screws (see Fig. 8).

Place the coal lumps on the fuel bed. A plastic glove is provided for handling the coal.

Note: The log effect should be stored away for possible future use.

## Maintenance

**WARNING: ALWAYS DISCONNECT FROM THE POWER SUPPLY BEFORE ATTEMPTING ANY MAINTENANCE.**

### Cleaning

**WARNING – ALWAYS DISCONNECT FROM THE POWER SUPPLY BEFORE CLEANING THE HEATER.**

For general cleaning use a soft clean duster – never use abrasive cleaners. The glass viewing screen should be cleaned carefully with a soft cloth. DO NOT use proprietary glass cleaners.

To remove any accumulation of dust or fluff the soft brush attachment of a vacuum cleaner should occasionally be used to clean the outlet grille of the fan heater.

## After Sales Service

Your product is guaranteed for one year from the date of purchase.

Within this period, we undertake to repair or exchange this product free of charge (excluding lamps & subject to availability) provided it has been installed and operated in accordance with these instructions.

Your rights under this guarantee are additional to your statutory rights, which in turn are not affected by this guarantee.

Should you require after sales information or assistance with this product please go to [www.dimplex.co.uk](http://www.dimplex.co.uk) where you will find our self help guide by clicking on "After Sales" or ring our helpdesk on 0845 600 5111 (UK) or 01 842 4833 (R.O.I.) .

Spare parts are also available on the website

### [www.dimplex.co.uk](http://www.dimplex.co.uk)

Please retain your receipt as proof of purchase.

---

Dimplex  
Millbrook House  
GrangeDrive  
HedgeEnd  
Southampton  
Hampshire.SO30 2DF

TEL: 0845 600 5111  
FAX: 01489 773050  
WEBSITE: [www.dimplex.co.uk](http://www.dimplex.co.uk)  
Republic of Ireland Tel. 01 8424833