

## Dimplex Fan Storage Heaters Models VFM24i, VFM32i, VFM40i, VFM48i

AC only

### IMPORTANT INSTRUCTIONS: RETAIN FOR FUTURE REFERENCE.

These instructions should be read carefully and retained for future reference. Note also the information given on the appliance.

1. THIS HEATER IS **VERY HEAVY**, BEFORE INSTALLING ENSURE THAT THE SUPPORTING SURFACE IS STRONG ENOUGH TO SUPPORT THE WEIGHT OF THE HEATER (SEE BELOW "INSTALLED WEIGHTS"). IN ORDER TO MAINTAIN STABILITY AND TO ENSURE ITS FUTURE SAFETY IN USE, IT IS ESSENTIAL THAT IT IS SECURED TO A SOUND WALL BY MEANS OF THE FIXING SUPPLIED. IRREGULAR SURFACES SUCH AS MAY RESULT FROM CARPETS OR TILED SURROUNDS PARTIALLY PROTRUDING UNDER THE HEATER SHOULD BE AVOIDED.

#### IMPORTANT: ACCESSORY FEET

ACCESSORY FEET ARE AVAILABLE TO FIT THESE HEATERS, AND SHOULD BE USED WHERE THE HEATER WILL STAND ON THICK PILE CARPETS OR IN A SITUATION WHERE OTHERWISE THE OUTLET GRILLE MAY BE OBSTRUCTED.

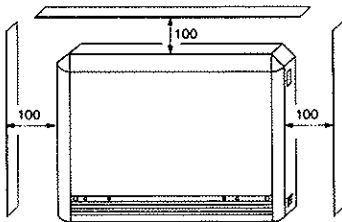
#### Installed Weights

|        |        |        |        |        |        |        |        |
|--------|--------|--------|--------|--------|--------|--------|--------|
| VFM24i | 137 kg | VFM32i | 176 kg | VFM40i | 215 kg | VFM48i | 254 kg |
|--------|--------|--------|--------|--------|--------|--------|--------|

2. The installation of the appliance should be carried out by a competent electrician and in accordance with the current IEE Wiring Regulations.

**PLEASE NOTE: THESE HEATERS MUST NOT BE CONNECTED TO A 30 AMP RING CIRCUIT.**

3. For assembly of the heater the following tool is required:  
Screwdriver Torx 20
4. The minimum clearances given below must be strictly adhered to. DO NOT POSITION THE HEATERS UNDER WINDOWS WHERE CURTAINS MAY CONTACT THE HEATER.



**BELOW SHELF, OVERHANG:**  
Minimum clearances of 100 mm above and to both sides of the heater must be maintained.

PARTLY CONCEALED BY FASCIA PANEL.

NB air ducts ① and ② must be maintained.

## Conditions under which despatched

The heater set and bricks are supplied separately. The heater set is mounted on a wooden pallet for transit and consists of the following:

1. Heater case containing: room thermostat kit (1 box)\*
2. Heating element set containing: elements  
accessory bag with wall fixing, charge control knob, wall bracket screws
3. 3 Wall spacer brackets: packed on top of heater case

\* NB These items are packed **inside** the heater case, within the core space.

**CAREFULLY UNPACK HEATER SET AND CONFIRM THAT PARTS ARE COMPLETE BEFORE REMOVING PACKAGING FROM SITE.**

Bricks are supplied in boxes of 3, marked Kolli 25.

| MODEL           | VFM24i  | VFM32i  | VFM40i   | VFM48i   |
|-----------------|---------|---------|----------|----------|
| BRICKS SUPPLIED | 6 Packs | 8 Packs | 10 Packs | 12 Packs |

#### Rating label

|  |                             |   |
|--|-----------------------------|---|
|  | 1L/N/EARTH 240V/50Hz<br>7 h | 1L/N/EARTH 240V/50Hz<br><b>VFM 32i</b><br>15 W  176 kg<br><b>E-Nr: 46/2545</b> <b>FD:</b> |
|  | 4671 W                      |   |
|  | 32 kWh                      |   |



weight



charge acceptance



control part

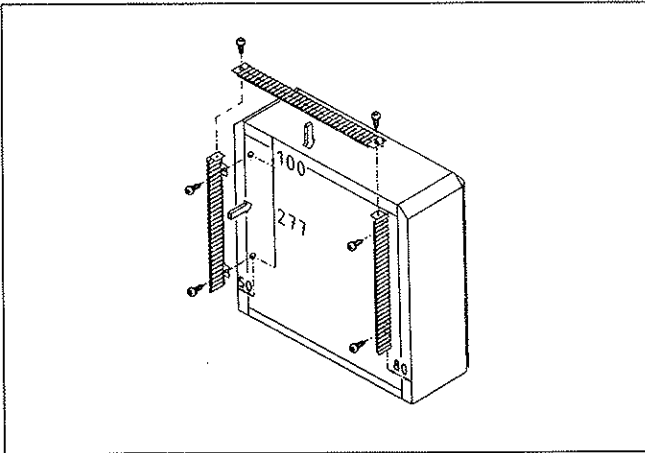


auxiliary heating

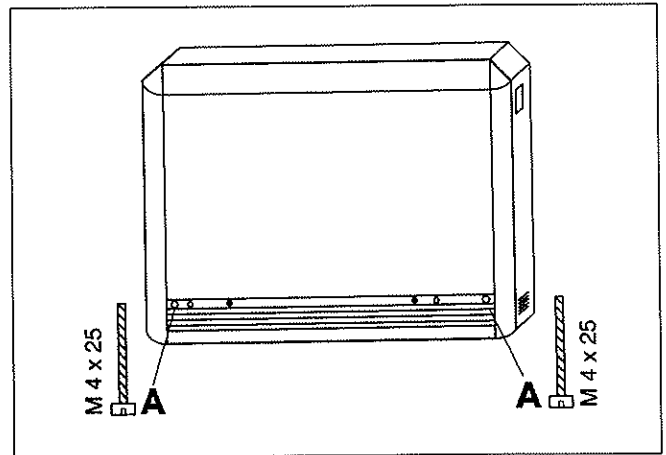


fan

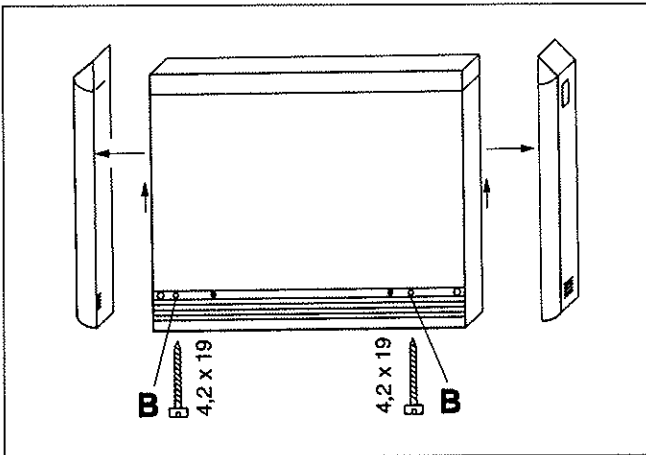
## Unit assembly



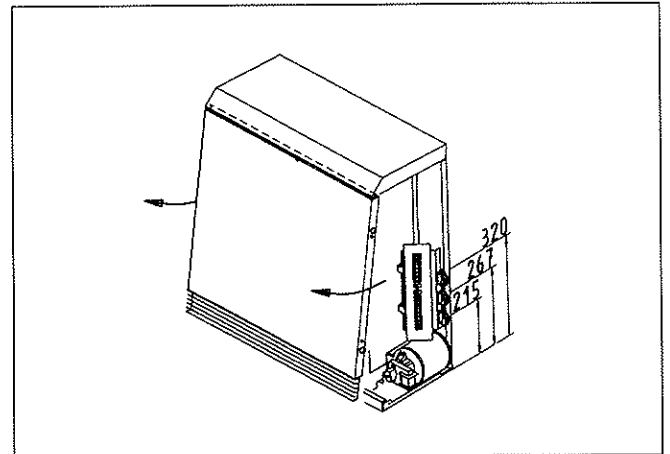
1. Take the heater out of its packaging. Dispose of the packing material in an appropriate way. Screw the two side wall contact strips onto the back panel of the heater. Screw the upper wall contact strip onto the two wall contact strips on the sides.



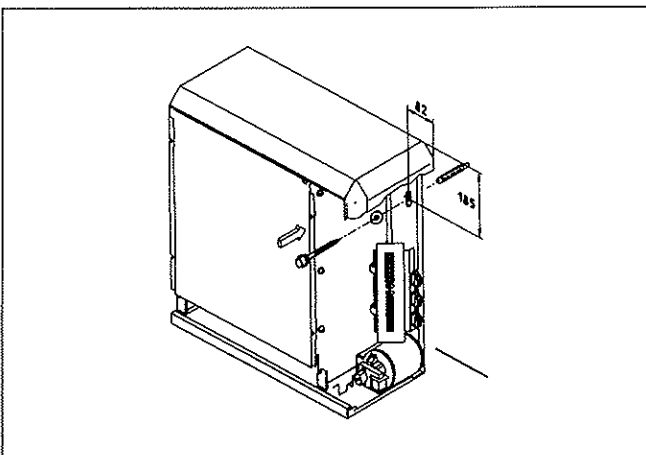
2. Remove the fastening screws for the two side walls.



3. Push the left-hand and right-hand side walls vertically about 5 mm upwards and then pull off sideways. Undo the fastening screws for the front panel.



4. Swing the front panel forward and remove it from the upper edge. Insert the connecting cables and strain-relieve (see also electrical connection page 7). The connecting leads should be cut to a suitable length so that they cannot come into contact with any hot surfaces of the heater. No loops of cable should be left behind or underneath the unit.

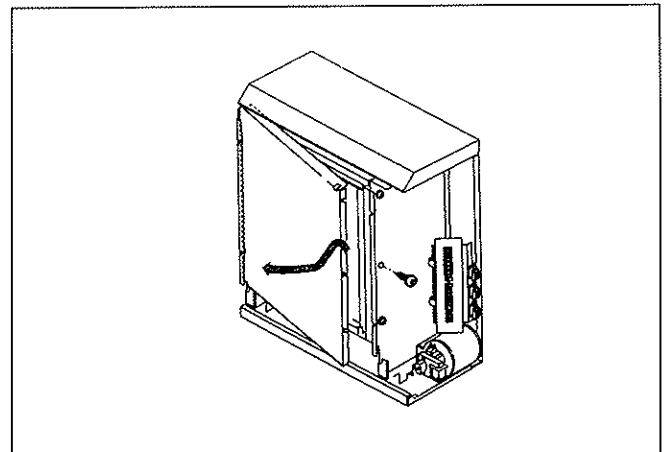


### 5. Stability

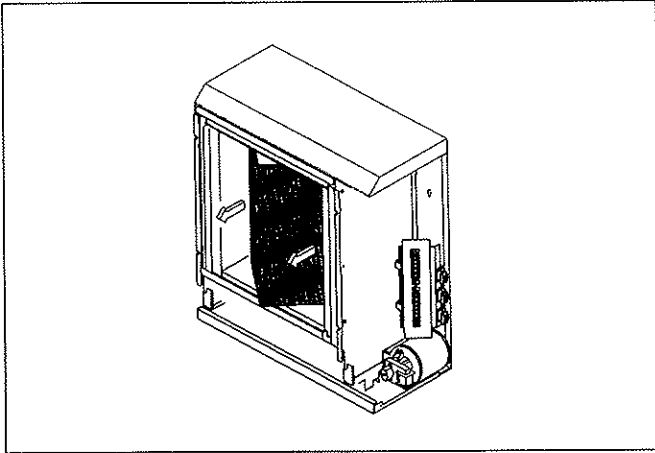
The heater must be fixed securely to a solid wall to prevent movement.

A screw with wall plug is provided in the accessory pack to secure the heater.

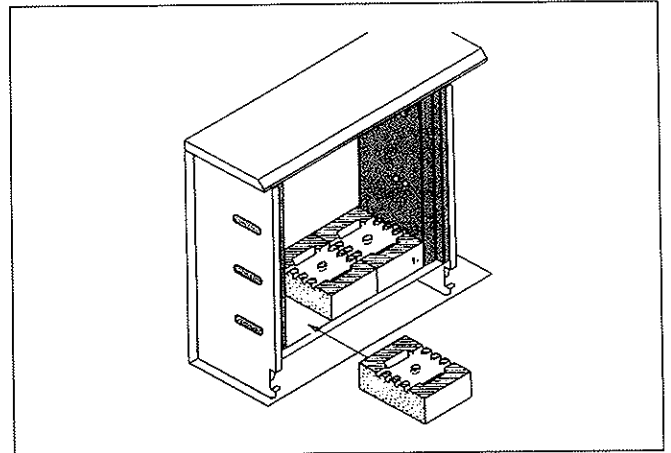
The assembled heater must be able to resist a horizontal pull of at least 200N on its upper edge without toppling or shifting. If the required stability cannot be achieved with the supplied accessories, e.g. in the case of light-construction walls, the installer must select a suitable wall fixing method.



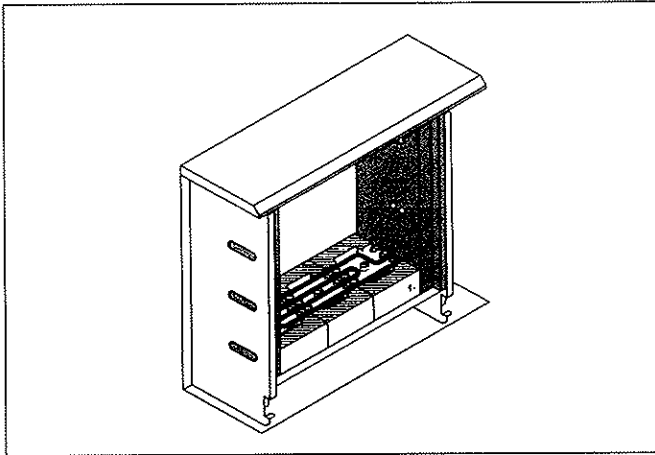
6. Remove core space cover. For this purpose, unscrew the middle fastening screw, swing the core space cover out slightly on the right-hand side and pull it to the right. Lay the cover down in such a way as not to damage the thermal insulation.



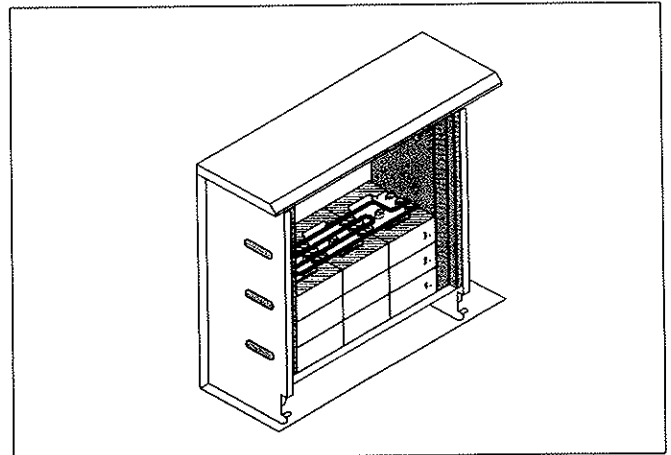
7. Remove the transport protection (folded cardboard).



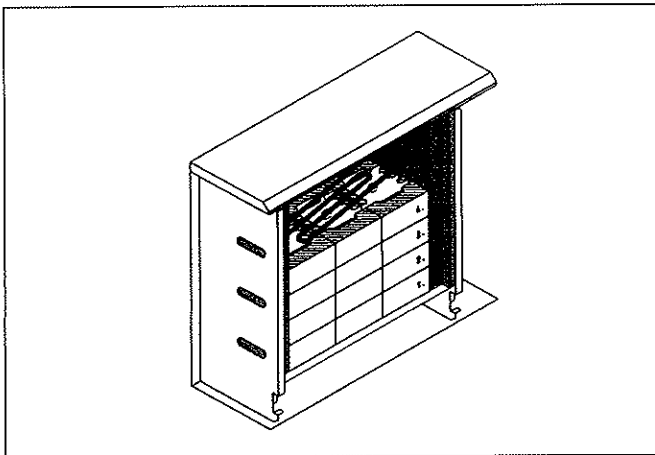
8. Put in the lower row of storage bricks. Begin at the right-hand side. Element slots must always face upwards.



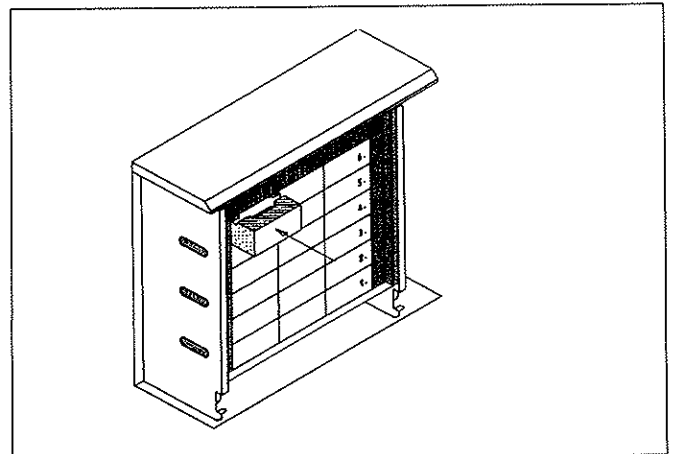
9. After putting in the lower row of bricks, install the first heating element.



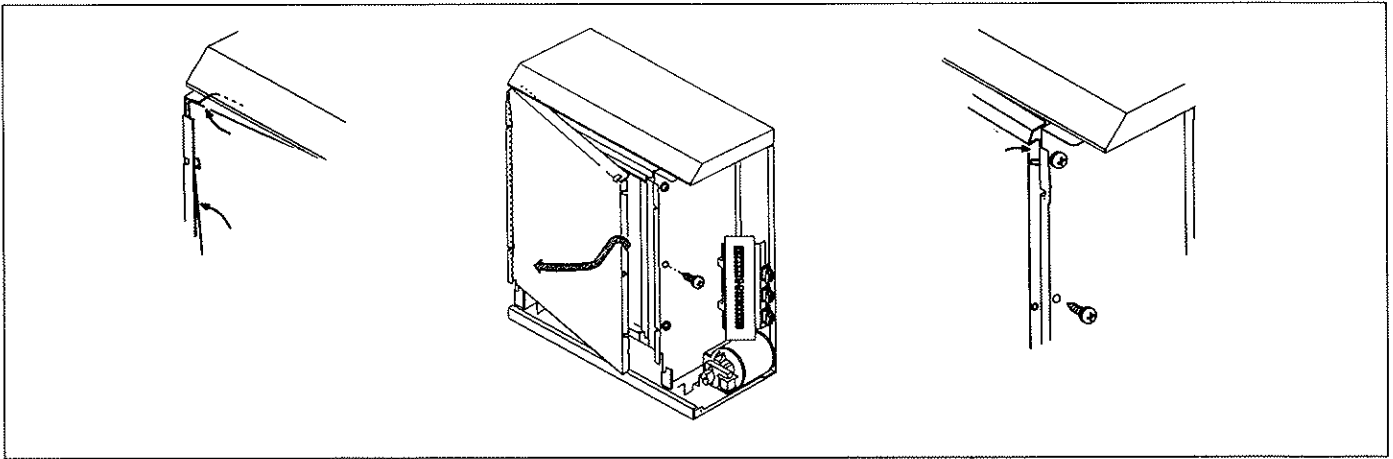
10. Put in the second and third rows of bricks. Install second element.



11. After putting in the fourth row of bricks, the third element must be installed. Then slide the fifth row of bricks sideways under the third element.



12. Put in the last row of bricks (6 rows of bricks in all). Clean the air outlet space and the switching space.



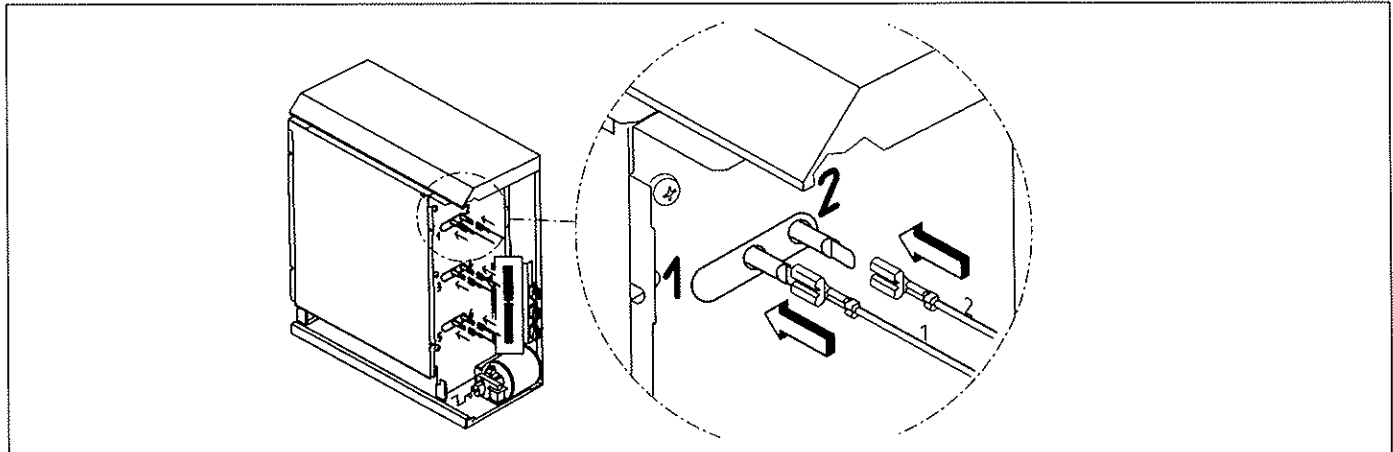
**13. Refit core space cover.**

**Left-hand side:**

The lip at the top of the core space cover must lie on the left-hand partition. The side edge of the core space cover must be pushed behind the lip of the left-hand partition.

**Right-hand side:**

Insert side flange of the core space cover between the thermal insulation and the partition, paying attention to the guide slots. Tightly press the core space cover and screw it tightly to the right-hand partition.



**14. Connect the element tails to the cable harness.**

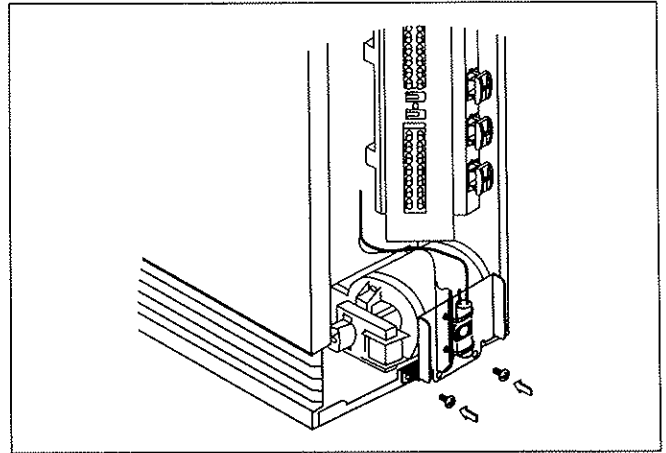
For this purpose, place the numbered connecting cables on the terminal ends of the elements. The partition is also marked with the corresponding numbers. Fasten loose cables to the cable harness.

## Fitting the Room Thermostat

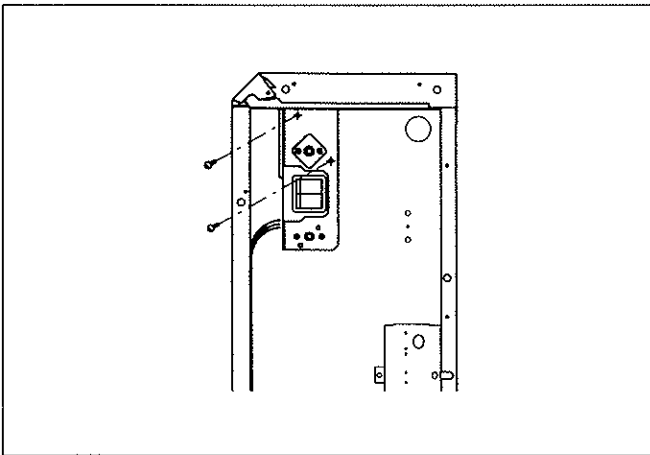
The integral room thermostat is supplied with fixing screws and wiring in a separate pack. For convenience the room thermostat should be fitted at this stage of the heater assembly.

**BEFORE FITTING THE THERMOSTAT ENSURE THAT THE HEATER IS ISOLATED FROM THE MAINS SUPPLY.**

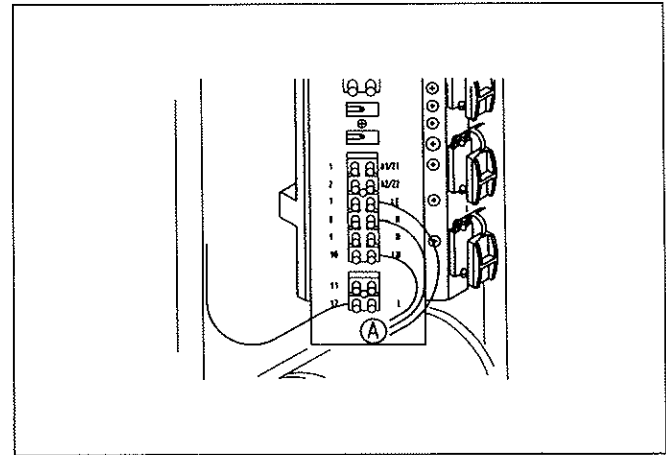
To fit the thermostat follow these instructions carefully.  
NB: Optional direct acting heater element: this accessory is available to special order. If the direct acting element is not fitted the lower on/off switch on the control panel is non functional.



15. Fasten air sensing probe carefully on the base panel edge of the heater



16. Screw the thermostat assembly on to the control mounting plate, using screws supplied.



17. Fix terminal block (A) adjacent to terminal marking 11/12 on terminal block panel using sheet metal screw supplied. Connect designated leads of the thermostat kit to the lower terminal block - see wiring diagram page 7.

## Electrical connection

18. NOTE: Two supplies are taken into the heater, an off-peak supply to the heating element circuit and a separate on-peak supply to the fan circuit (see wiring diagram). Refer to rating label on front of heater case for the loading of heater and fan circuits on the appliance supplied.

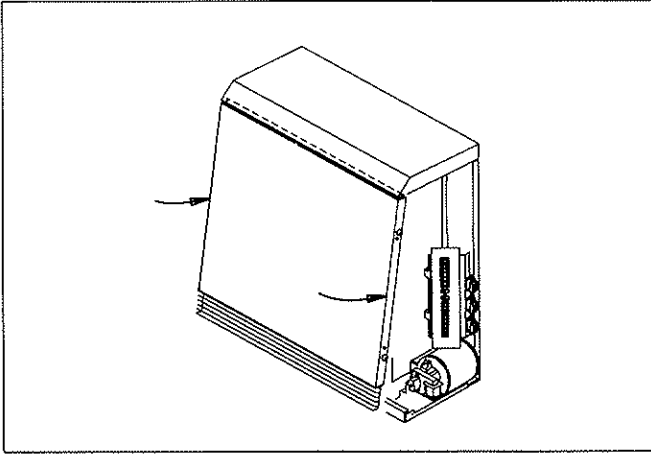
Introduce mains supply cables through the cable clamps in the back panel, to the terminal area, and connect in accordance with the terminal markings and wiring diagrams. Heat resisting cable must be used. Ensure that cable is clamped so that there is no excess cable in the terminal area. CHECK ALL ELEMENT AND SUPPLY CONNECTIONS FOR TIGHTNESS.

**On no account should any surplus cable be pushed inside or behind the heater. The appliance must be earthed.**

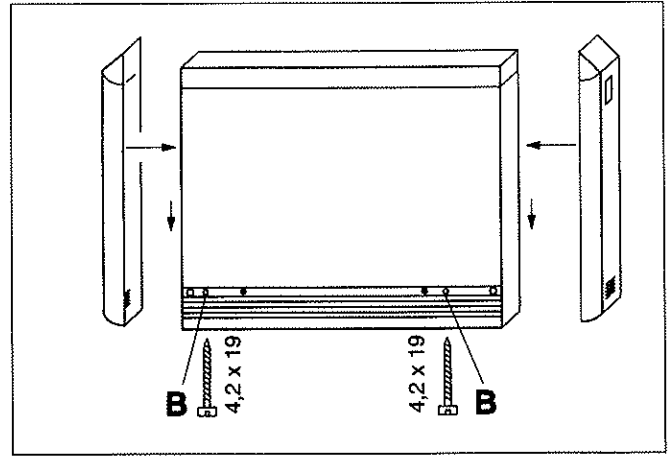
### Special instructions: 3 phase supply

The heater is factory supplied for connection to a single phase 240 volt supply. The heater may alternatively be connected to a 3 phase, 415 volt supply by removal of bus-bars, as shown on the wiring diagram.

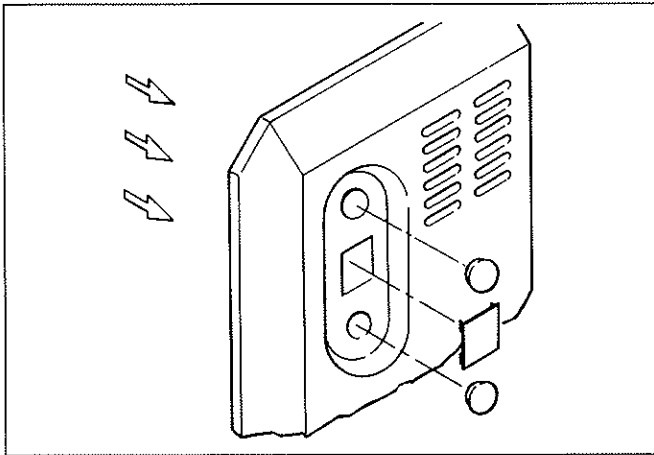
## Completion of heater assembly



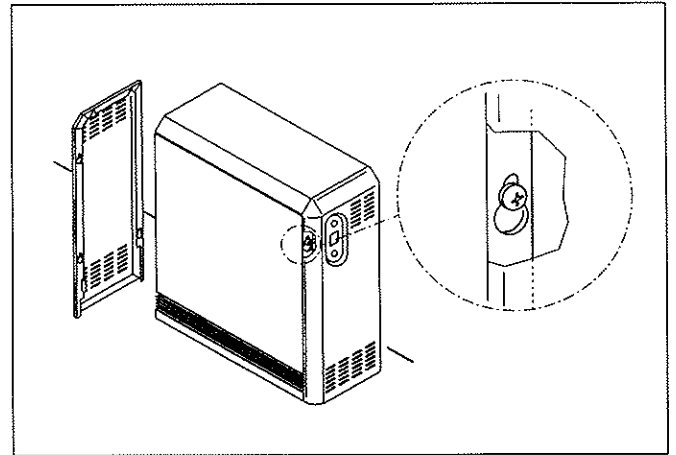
19. Insert the front panel into the folded edge on the cover, raising the cover slightly in doing so.



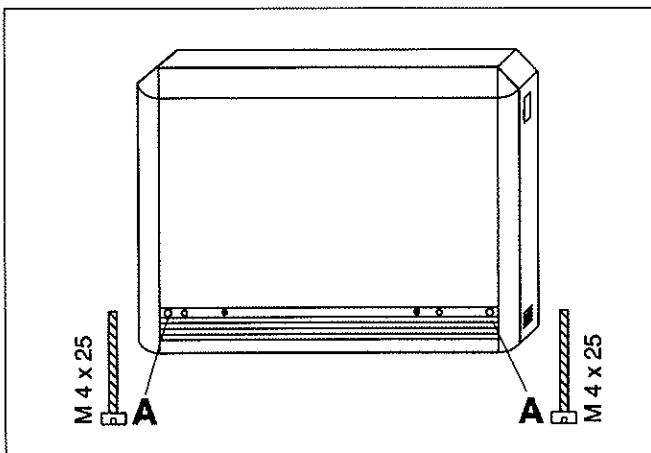
20. Screw the front panel tightly (screw B).



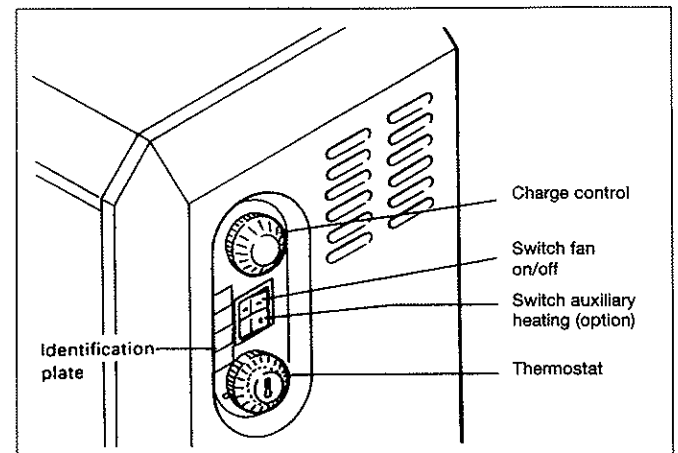
21. Before fitting the right-hand side panel knock out the plastic bungs which blank off the charge control knob aperture.



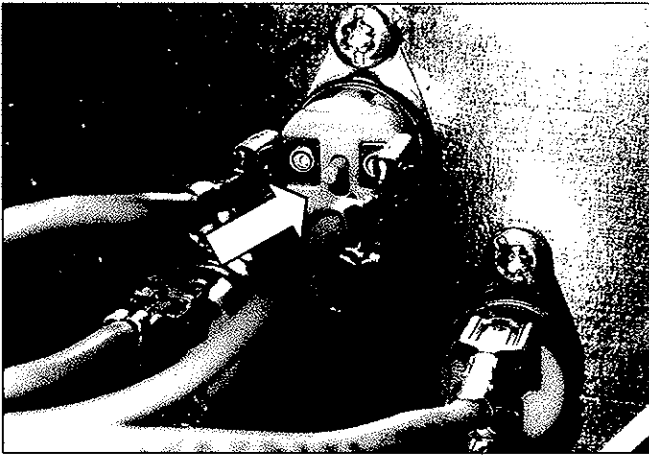
22. The side panels have keyhole-shaped cutouts. Push the side panels over the screws and push downwards.



23. Screw the side panels tightly (screw A). Assembly is now finished.

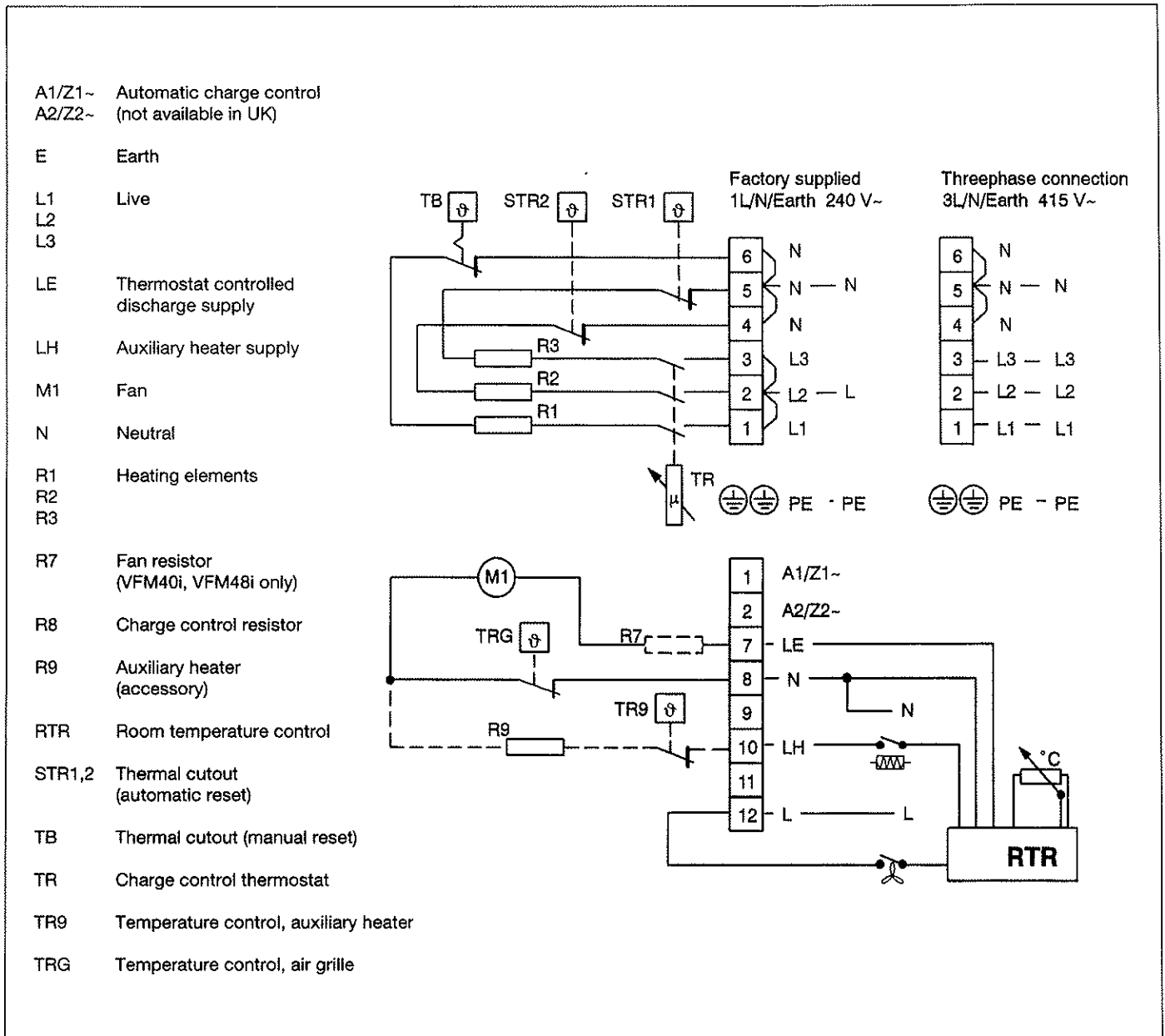


24. Fit the charge control knob and room thermostat control knob over their spindles in the right-hand side panel. Affix the self-adhesive control label as shown.



Resetting the thermal cutout (when there has been a fault):  
 This should only be done by a skilled person!  
 - Isolate the storage heater from the power supply  
 - Remove the right-hand side panel  
 - Allow the unit to cool down sufficiently  
 - Press the reset button, e.g. using the blade of a screwdriver

## Circuit diagrams for Fan storage heaters Models VFM24i, VFM32i, VFM40i, VFM48i



# Commissioning Heater

When all the installation work is complete, test heater for operation.

**Note:** During initial operation some odour may be noticed due to the newness of the materials used in manufacture. This is normal and will disappear after a short period of use. It is, however, advisable to keep the room well ventilated.

It is also recommended that the fan is run to ensure that any dust particles that have accumulated in the heater are ejected. Clean the outlet grille and adjacent surfaces after first operation.

In cases where unauthorised persons may tamper with the control knobs it is possible to remove the control knobs once the controls have been put to the correct setting, and fill the openings with the plastic caps supplied (see stage 21 overleaf).

## Disposal notice

The product must not be disposed of with your other household waste.



The product complies with the European Safety Standards EN 60335-1, EN 60335-2-61, EN 50336 and the European Standard Electromagnetic Compatibility (EMC) EN 55014-1, EN 55014-2, EN 61000-3-2, EN 61000-3-3.

459273.66.04 06/07/B

Dimplex UK Limited  
Millbrook House  
Grange Drive  
Hedge End  
Southampton  
Hampshire. SO30 2DF

UK customer help line 8:00am – 5:00pm Mon-Fri and 8:30am – 1:00pm Sat (October-March)  
Customer Services  
Facsimile:  
e-mail:  
Web-site:  
Republic of Ireland  
Telephone: 0845 600 5111  
01489 773 053  
customer.service@glendimplex.com  
www.dimplex.co.uk  
Telephone: 01 842 4833

© Dimplex UK Limited

All rights reserved. Material contained in this publication may not be reproduced in whole or in part, without prior permission in writing of Dimplex UK Limited.