

XLS6N AUTOMATIC **XL6N** MANUAL

Mini **ULTRA-SLIM STORAGE HEATER**

MODELS: XLS6N - 6kWh
XL6N - 6kWh



Intertek
IPX2

INSTALLATION AND OPERATING INSTRUCTIONS

IMPORTANT

**PLEASE READ THIS LEAFLET CAREFULLY AND RETAIN FOR FURTHER USE.
NOTE ALSO THE INFORMATION GIVEN ON THE HEATER**

- The installation must be carried out by a trained competent personnel.
- A means for disconnection must be incorporated in the fixed wiring by a double pole switch with a contact separation of a minimum of 3mm and in accordance with the current IEE Wiring Regulations
- The heater must not be installed immediately below a fixed socket outlet.
- The heater is not suitable for connection to a 30A ring circuit (24 hour peak supply).
- Do not position the heater under windows where curtains can contact the heater casing.

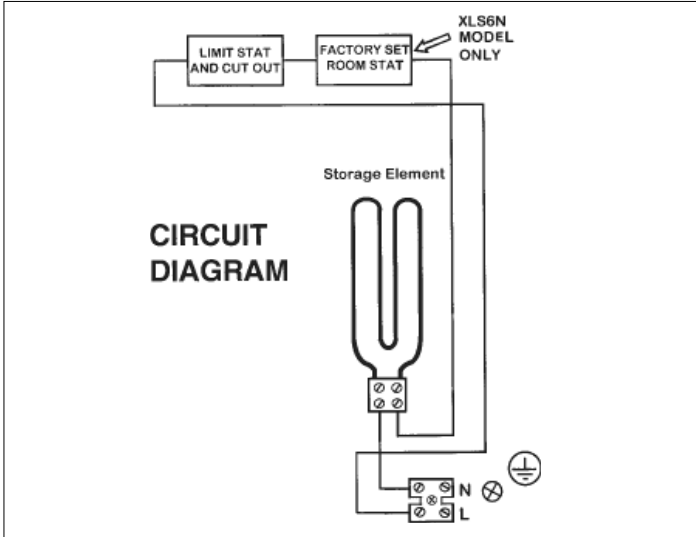
■ **WARNING - THE SURFACES ON THIS HEATER CAN BE HOT**

- This heater meets EN60335 safety requirements. However, any heater type becomes hot in normal operation. Care must be taken to ensure that prolonged skin contact with the heater does not occur.
WHERE YOUNG CHILDREN, INFIRM PERSONS, OR THE AGED ARE PRESENT THIS APPLIANCE MUST BE ADEQUATELY GUARDED. Contact your installer or manufacturer for further advice.
This appliance is not intended for use by persons (including children) with reduced physical, sensory or mental capabilities, or lack of experience and knowledge, unless they have been given supervision for instruction concerning use of the appliance by a person responsible for their safety. Children should be supervised to ensure that they do not play with the appliance.
- This appliance is very heavy and must be securely fixed to a wall. DO NOT UNDER ANY CIRCUMSTANCES ATTEMPT TO MOVE OR REPOSITION THIS HEATER WITHOUT SEEKING EXPERT ADVICE.
- To maintain stability, it is essential that the heater is placed on a level surface.
- This heater must be installed where it is impossible for switches and other controls to be touched by a person using a bath or shower.
- **IMPORTANT** - Due to the newness of materials the heater will produce a slight smell for the first few days of operation. ROOMS MUST BE WELL VENTILATED AND YOUNG CHILDREN, CAGED BIRDS, OR PERSONS WITH RESPIRATORY COMPLAINTS MUST NOT REMAIN IN CLOSE PROXIMITY TO THE HEATER DURING THE FIRST 48 HOURS OF THE COMMISSIONING PERIOD.
- IF, DURING ANY REASSEMBLY OF THE HEATER, A PART OF THE THERMAL INSULATION SHOWS DAMAGE OR DETERIORATION WHICH MAY IMPAIR SAFETY, IT SHOULD BE REPLACED BY AN IDENTICAL PART.

INSTALLATION INSTRUCTIONS

PREPARATION

The heater will arrive separately from its storage bricks, 4 bricks will be required. (2 Packs) Catalogue No. XT8300



WARNING - This appliance must be earthed

Only heat resisting cable (min. rating T85) should be used. The wires in the mains cable will be coloured as follows:-

GREEN & YELLOW	-	EARTH
BLUE	-	NEUTRAL
BROWN	-	LIVE

SUGGESTED FIXINGS

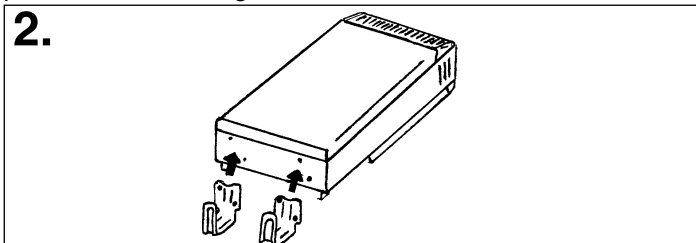
SOLID BRICK/BLOCK: No. 10 Size plastic inserts, 8mm drill bit. Drill hole 15mm deeper than rawplug length.

PLASTERBOARD - If possible locate studding and use No. 10 woodscrews directly into the wood, otherwise M5 rawplug intersets are suitable.

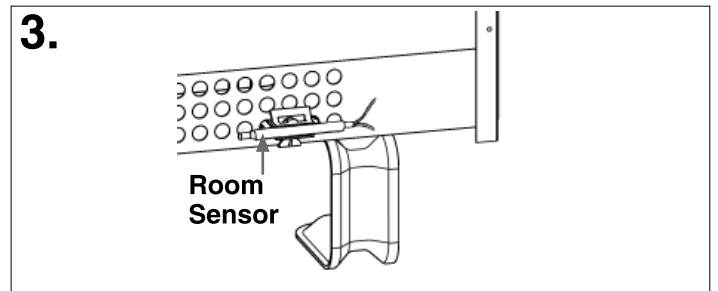
NOTE: FOR OTHER WALL TYPES (e.g. Timber frame and hollow concrete) **SEEK SPECIALIST ADVICE.**

FIXING ASSEMBLY

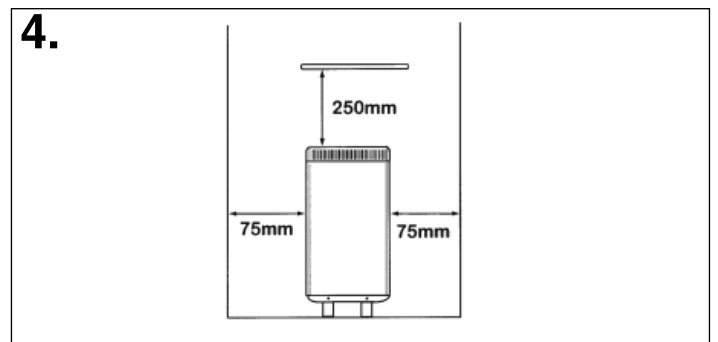
1. ENSURE THAT FIXING KIT AND FEET HAVE BEEN LOCATED BEFORE DISPOSING OF PACKAGING.
2. Fit the feet with the open end of the foot to the front of the heater. Secure each foot using two taptite screws provided in the fixing kit.



3. **XLS6N MODEL ONLY** - Attach the Room Sensor to the plastic clip which is located at the rear of the of the heater, as shown below.

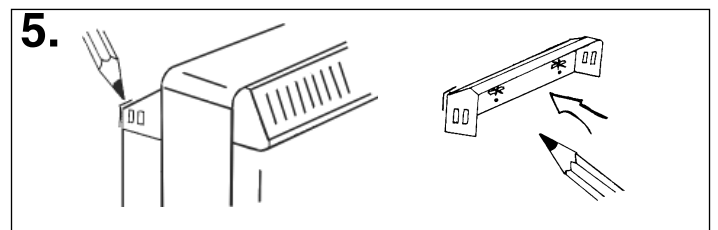


4. Place the heater on its feet and in the desired position against the wall. Ensure the heater is based on a firm level surface at least 75mm from any end wall and at least 250mm below any shelf or similar projection. Cut away any gripper rod or carpet which would prevent the heater sitting firmly on the floor.

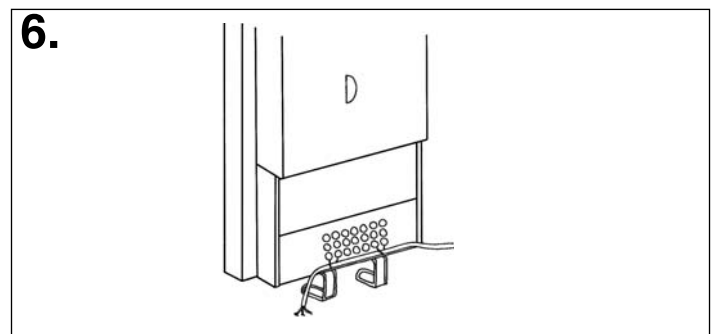


5. Mark the position of the two outside corners of the wall bracket with the heater pushed tight against the wall. Remove the wall bracket from the heater by removing the screw at each end. Place the heater to one side and reposition the bracket against the wall using the corner marks for alignment.

Four fixing positions must be chosen for this heater. Mark the positions for the fixing holes - one at each end. Remove the bracket from the wall, drill the holes in the positions marked, and insert suitable fixings previously described. Secure the wall bracket to the wall.



6. If mains connection is to be made from the left side, at this point the mains lead must be secured to the back of the heater using ties provided in the fixing kit.

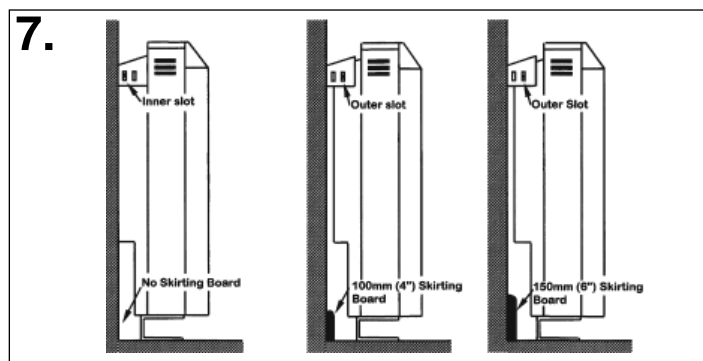


7. THE FOLLOWING MUST BE APPLIED WHEN FIXING THE HEATER TO THE WALL BRACKET

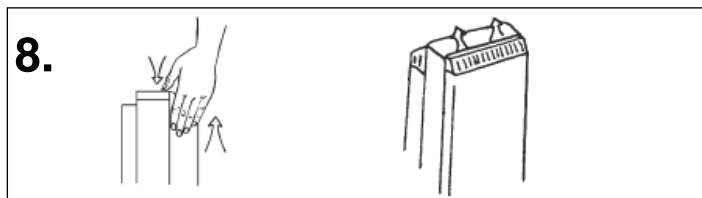
- i) If no skirting board is present secure the heater through the wall bracket slots closest to the wall.
- ii) If 100mm (4in.) skirting is present secure the heater through the outer slots.
- iii) If skirting taller than 150mm (6in.) is present this must be reduced to 150mm (6in.) over the entire width of the heater plus 25mm (1in.) at each end.

Do not fully tighten these screws until the bricks are loaded into the heater as some settling of the heater may occur.

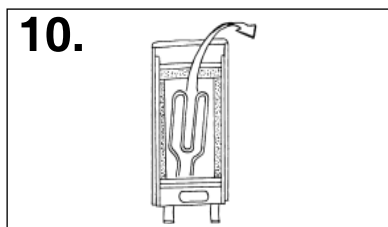
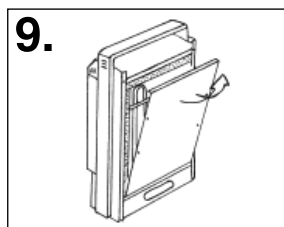
NOTE: NEVER REMOVE THESE SCREWS WITHOUT FIRST UNLOADING THE HEATER.



8. Remove the front panel by removing the two self tapping screws along its bottom edge. With hands positioned on each side of the panel, lift upwards to unhook the top edge whilst pressing down on the top panel with your thumbs. The panel can now be lifted clear and set to one side. Discard the packing which had been sandwiched between the inner front and outer front.



9. Remove the inner front by removing the screws along its sides. As the front insulation is attached care must be taken when lifting this panel from the heater and placing it to one side. Remove the internal packing by sliding it up and off the elements taking care not to damage the insulation.

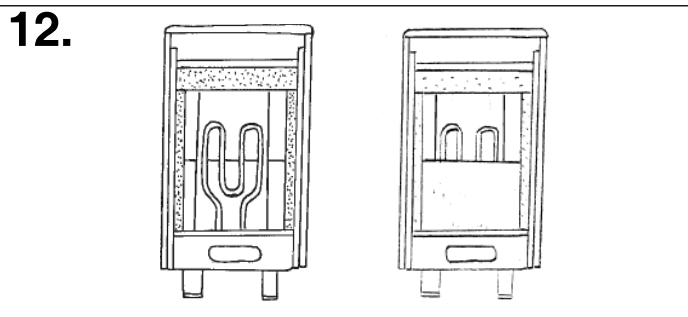


10. Remove the element to allow access for the back rows of bricks.

Loosen the two screws securing the element tails in the ceramic connector block, and lift the element up and out of the heater.

11. Carefully fit the bottom rear brick with the narrow end of the recess over the slot in the base insulation. Fit the top rear brick with the narrow end of the recess to the top.

12. Refit the element which had been removed by feeding the tails down through the hole in the base insulation and into the connector block. Ensure the element is fully pushed home then securely tighten the two screws in the block.



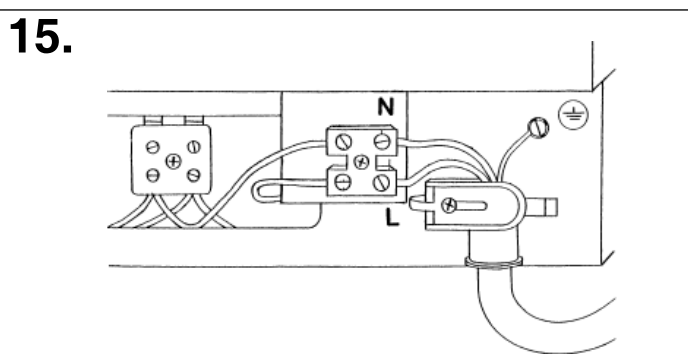
13. Fit the front bricks again with the recess towards the element.

14. Replace the inner front complete with insulation by locating its bottom edge behind the front lip of the chassis and inserting retaining screws along both sides.

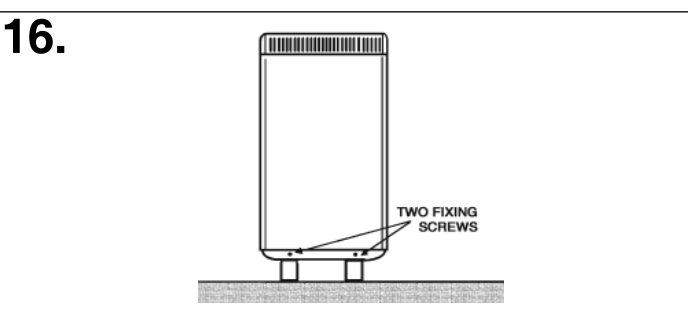
15. Feed the mains cable through the cable clamp and make connections as marked on heater. Pull back any slack through the clamp and tighten clamping screw.

WARNING

This appliance must be earthed



16. Replace outer front panel and grille by hooking the grille into its retaining slot on the top panel and lowering it into position. Secure the front panel with the two self tapping screws.



17. Check that the screws securing the heater to the wall bracket have been fully tightened.

IT IS ESSENTIAL THAT ALL SCREWS ARE REPLACED TO ENSURE EARTH CONTINUITY.

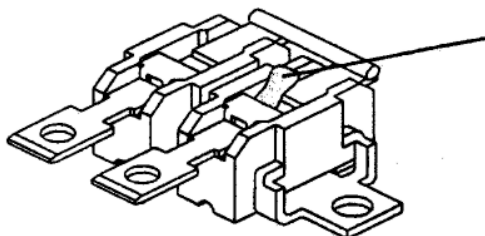
Once installed do not attempt to reposition the heater without first obtaining the services of a competent electrician.

Thermal overload protection

This appliance is protected by a thermal safety cutout which will operate to isolate the electricity supply if, for example, the heater surfaces or grille are obstructed to cause overheating.

The cutout should not operate if the instructions given in this leaflet and clearances regarding positioning are strictly followed.

Thermostat & Thermal Cutout



Cutout
Reset
Button

However, if the cutout has operated before following the instructions below determine the cause of the cutout operating. If the heater has not obviously or inadvertently been misused - e.g. covered - it will be necessary to have the appliance fully checked by a Dimplex Service Agent. (A list of Dimplex Service Agents is enclosed in the leaflet envelope and should be retained by the user).

OPERATING INSTRUCTIONS

SAFETY INSTRUCTIONS

1. Ventilate rooms well during commissioning
2. Do not move the heater in any way once installed without the services of a competent electrician.
3. Do not cover the heater with clothing etc. at any time or position furniture close to or against the heater.
4. Ensure a clearance of at least 150mm between heaters and curtains.

ALSO REFER TO COVER PAGE

AUTOMATIC OPERATION

Dimplex XL6N and XLS6N Storage Heaters store heat overnight using cheap off peak electricity and discharge this heat the following day. The XL6N is preset at the factory to always take a full charge. XLS6N models are fitted with an external sensor which measures room temperature and adjusts the input to the heater automatically, thus ensuring the most effective use of electricity. These operating instructions assume that the correct size of storage heaters have been selected to cater for the heating requirements of the room.

CLEANING

To maintain the appearance of the heater wipe occasionally with a dry cloth when the heater is cool.
Do not use abrasive powders or furniture polish.

AFTER SALES SERVICE

Your product is guaranteed for two years from the date of purchase.

Within this period, we undertake to repair or exchange this product free of charge (subject to availability) provided it has been installed and operated in accordance with these instructions.

Your rights under this guarantee are additional to your statutory rights, which in turn are not affected by this guarantee.

Should you require after sales information or assistance with this product please go to www.dimplex.co.uk where you will find our self help guide by clicking on "After Sales" or ring our help desk on 0845 600 5111 (UK) or 01 842 4833 (ROI). It would assist us if you can quote the model number, series, date of purchase, and nature of the fault at the time of your call. The customer services help desk will also be able to advise you should you need to purchase any spares.

Spare parts are also available on the website www.dimplex.co.uk.

Please do not return a faulty product to us in the first instance as this may result in loss or damage and delay in providing you with a satisfactory service.

Please retain your receipt as proof of purchase.

RECYCLING



For electrical products sold within the European Community. At the end of the electrical products useful life it should not be disposed of with household waste. Please recycle where facilities exist. Check with your Local Authority or retailer for recycling advice in your country.



This product complies with the European Safety Standards EN60335-2-30 and the European Standard Electromagnetic Compatibility (EMC) EN55014, EN60555-2 and EN60555-3.

These cover the essential requirements of EEC Directives 2006/95/EC and 2004/108/EC

83708 Issue 10



Dimplex (UK) Ltd
Millbrook House
Grange Drive
Hedge End
Southampton
Hampshire
SO30 2DF

Tel:
Fax:
Web-site

0845 600 5111
01489 773 050
www.dimplex.co.uk