

Base Unit Fan Heater Model: BFH24BWST



08/17171/12 Issue 12 Oct '08

IMPORTANT: These instructions should be read and carefully retained by the user.

Safety Warnings

- **DO NOT COVER OR OBSTRUCT** the air inlet or outlet grille.
- ENSURE THE APPLIANCE IS EARTHED.
- **Do not** use this heater in the immediate surroundings of a bath, shower or swimming pool.
- **Do not** place heater immediately below a socket outlet.
- If the appliance is covered, there is a risk of fire.
- This appliance is not intended for use by children or other persons without assistance or supervision if their physical, sensory or mental capabilities prevent them from using it safely. Children should be supervised to ensure that they do not play with the appliance.
- **Do not** use this heater in areas where excessive dust exists.
- **Do not** touch or obstruct the grille areas when the heater is in operation.
- Where an appliance is recessed, necessity to allow disconnection of the appliance from the electrical supply is required. Incorporate a switch in the fixed wiring in accordance with the Wiring regulations.
- If the supply cord is damaged it must be replaced by the manufacturer or service agent or a similarly qualified person in order to avoid a hazard.

Introduction

This heater has been designed for fitting in the space behind the plinth of floor standing kitchen units or other fitted furniture units. It is recommended that the heater is not installed under cupboards used for storing perishable goods. It can be accommodated in plinths with a minimum height of 120mm, and is suitable for cupboards of 500mm width and above.

Installation

The installation of this appliance should be carried out by a competent electrician and be in accordance with the current IEE wiring regulations.

Before undertaking installation work, ensure the electricity supply is disconnected from any relevant fixed wiring.

The heater is more easily fitted during the installation of new furniture units, or on existing furniture units if they can be temporarily moved from their position against the wall. If an existing furniture unit cannot be moved, then it may be necessary to remove the back of the unit in order to gain access to carry out the wiring installation.

Before installing the unit consider the location with respect to the following;

- The electrical supply and cable length.
- Position heater to deliver heat effectively without causing personal discomfort from overheating while standing at work surfaces etc.
- Minimum plinth height of 120mm and minimum furniture unit width of 500mm.

Procedure

1. Cutting the aperture in the Plinth

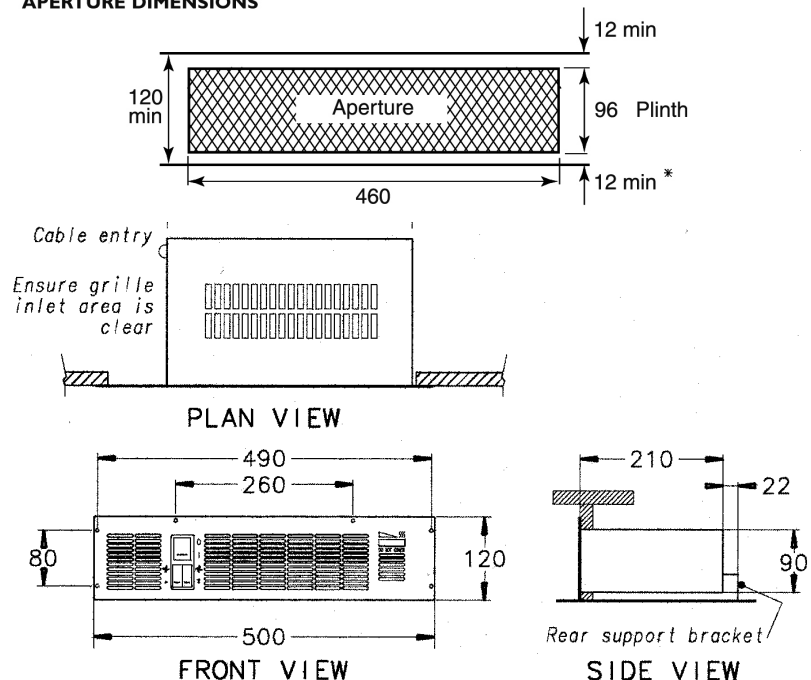
Cut aperture in furniture unit plinth to dimensions shown. This must be positioned so that the minimum distance from the bottom of the aperture to the TOP surface of any floor covering is not less than 12mm and not more than 25mm.

If an overhang above the heater is greater than 75mm, then a distance of at least 100mm must be maintained between the overhang and the uppermost part of the heater.

Note: If fitted in corner with adjacent cupboards to left hand side of heater then a distance of at least 150mm must be maintained between the left hand end of the heater and the front of the adjacent cupboard door.

*This dimension must be maintained above the top surface of any floor covering material. All dimensions in millimetres.

APERTURE DIMENSIONS



2. Power supply connection

Check that the supply voltage details on the heater are in accordance with your electricity supply. The appliance is fitted with 2 metres of flexible cable type H05VV-F size 3 x 1.5mm for electrical connection. The cable may be used to connect the heater to the fixed wiring of the premises through a suitable connection box. The supply circuit to the heater must incorporate a double pole isolating switch having a contact separation of at least 3mm. The power supply cable should be routed from the plinth space to the connection box, ensuring that the cable is left with enough slack to allow removal of the appliance for maintenance. The cable must be protected from any sharp edges.

3. Fitting the Rear Support Bracket

The heater is supplied with a rear support bracket. Fit to the back of the appliance with the two screws supplied. Adjust the rear support bracket so that the vertical distance from the underside of the appliance to bottom of the rear support bracket equals the vertical distance from the floor in the cupboard space to the bottom of the aperture opening. The slots in the rear support bracket allow it to be adjusted to the required height.

4. Marking the Fixing Positions

Slide the heater into position in the plinth aperture. Mark the six fixing holes (two on each side and two on the top). Remove the heater and drill 2mm pilot holes.

5. Mounting the Heater into the Plinth

When the cable connection has been made and the rear support bracket adjusted, slide the heater into the aperture ensuring that it is adequately supported and that the inlet grille is not obstructed. Use the six screws provided to secure the heater to the plinth. (See point 6 below for optional grille fitting).

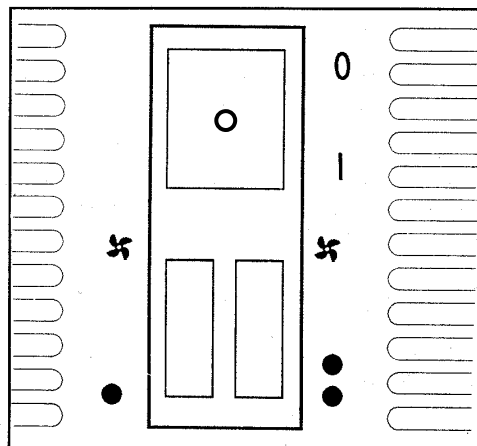
6. Colour Options.

Your BFH is supplied with a choice of 3 different finishes, Brown (supplied with the heater), White or Stainless Steel. Your white grille & stainless steel grille are supplied separately (in plastic bags) as an attachment for the front of the heater. If you prefer the white or the stainless steel finish, place the chosen grille against the heater before fixing the heater to the plinth. Use the six screws to secure it to the front of the heater / plinth.

Operation

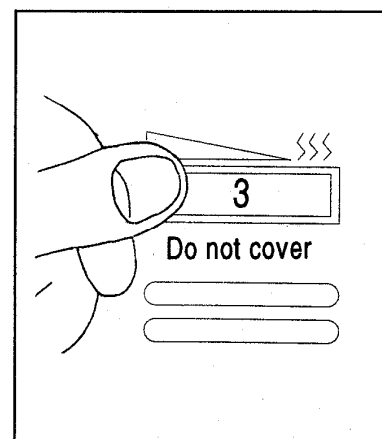
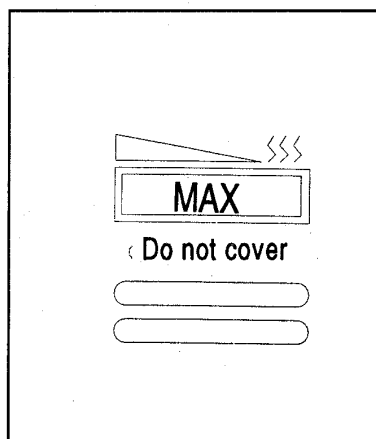
- 1 Switch on electricity supply to the heater.
- 2 Switching the switch marked "I" energises blower and illuminates neon indicator.
- 3 Select "I" and switches marked ● and ☞ required:

- I + ☞ = Cooling
I + ☞ + ● = 800W heating
I + ☞ + ●● = 1600W heating
I + ● + ●● = 2400W heating



Operation of Thermostat

1. The heater incorporates a variable thermostat which is controlled by a knob situated on the top right hand side of the front panel. The knob is marked *, 1 - 6, MAX, representing a temperature range of 5°C to 30°C. Lowest setting provides frost protection level.
2. Turn thermostat knob to maximum. When the room has reached the desired comfort level turn back the knob until the thermostat just 'clicks' off. If the knob is left in this position the room temperature will be maintained automatically at the chosen level.



Remember

If, when the heater is switched on, the room temperature is above that selected on the thermostat knob the heater will not operate. This is as it should be, and the thermostat is performing its function correctly. Should a higher temperature be required than the one selected, then it will be necessary to turn the thermostat knob to a higher setting to bring the heater into operation.

Cleaning & User Maintenance

WARNING: DISCONNECT SUPPLY before carrying out maintenance.

General Cleaning

External appearance can be maintained by wiping occasionally with a damp cloth; for stain removal, a weak soap solution can be applied, then wipe dry.

Internal Cleaning & Maintenance

To help prevent the build up of dust and fluff in the heater it is advisable to apply the soft brush attachment of a vacuum cleaner to the grille occasionally (fig. 1).

From time to time it may be necessary to remove the heater from the furniture unit so that the interior of the heater and the heater compartment can be cleared of any accumulated dust or fluff by means of a vacuum cleaner (fig. 2).

To remove, unscrew the six fixing screws and withdraw the appliance from the plinth.

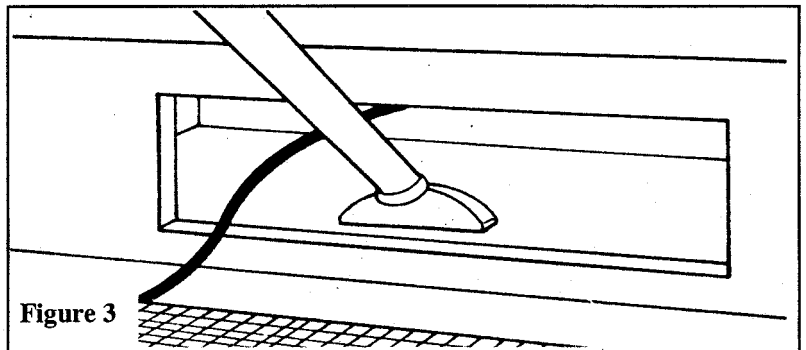
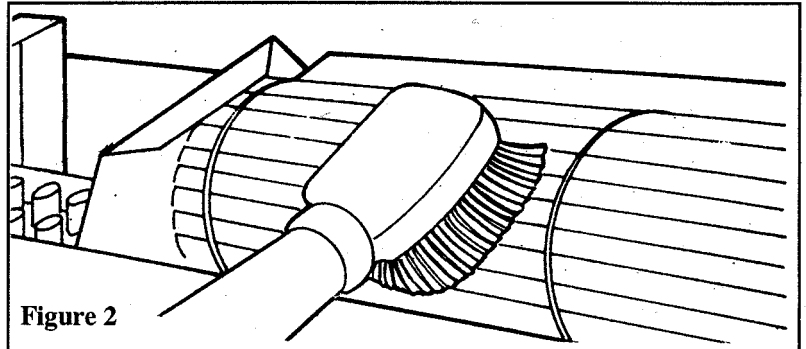
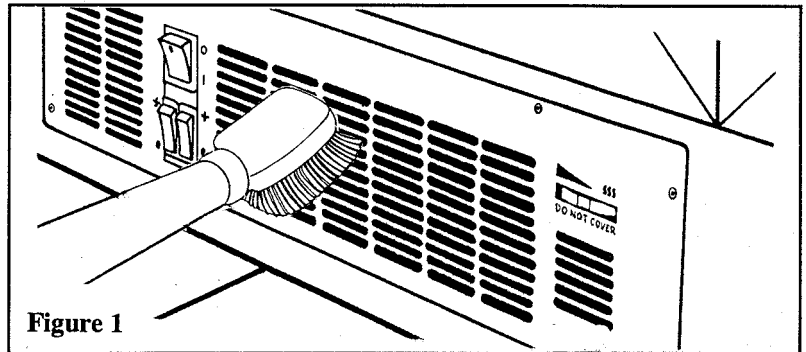
To gain access to the inside of the appliance remove the screws securing the top cover.

Clean the interior of the heater using the soft brush attachment of a vacuum cleaner, taking care not to damage the fan.

Refit the top cover. The interior compartment of the furniture unit should also be cleared of dust and fluff using the vacuum cleaner nozzle (fig. 3).

Remount the heater in the plinth ensuring the rear support bracket is still adjusted correctly.

The electricity supply to the heater can now be switched back on.



Safety – overheat protection

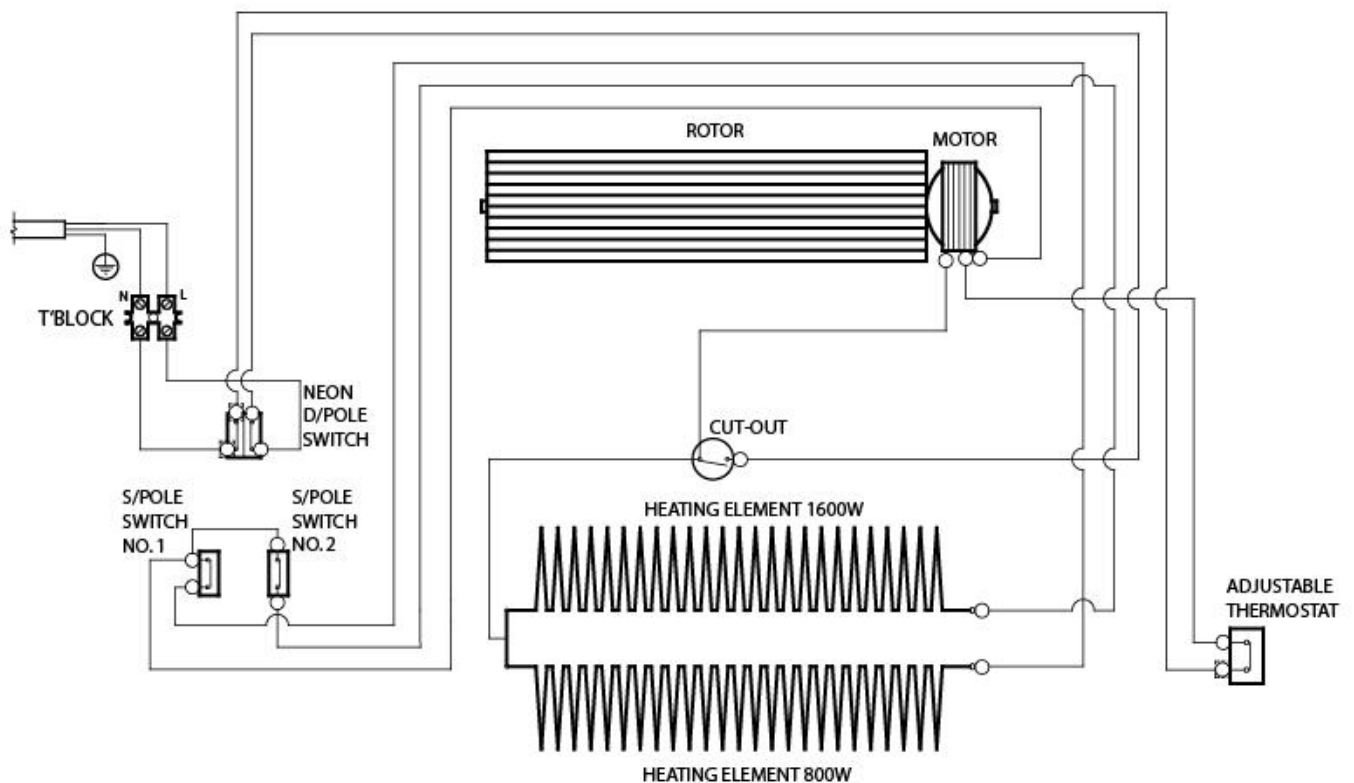
For your safety, this appliance is fitted with a thermal cut-out. In the event that the product overheats, the cut-out switches the heater off automatically. To bring the heater back into operation, remove the cause of overheating, then turn off the electrical supply to the heater for a few minutes. When the heater has cooled sufficiently reconnect and switch on the heater.

If the cut-out operates repeatedly, contact your supplier

Procedure for resetting the cut-out;

- A. Disconnect the electricity supply to the appliance either by switching off at the isolating switch panel.
- B. Determine what has caused the cut-out to operate and rectify.
(Note: This should only be undertaken by competent persons with experience of repairing electrical appliances and in full knowledge of the possible hazards involved).
- C. After a short time delay to allow the appliance to cool down, all that is required to return the heater to normal operation is to switch the electricity supply back on.

Circuit Diagram



Recycling



For electrical products sold within the European Community.

At the end of the electrical products useful life it should not be disposed of with household waste. Please recycle where facilities exist. Check with your Local Authority or retailer for recycling advice in your country.

After Sales Service

Your product is guaranteed for two years from the date of purchase.

Within this period, we undertake to repair or exchange this product free of charge (subject to availability) provided it has been installed and operated in accordance with these instructions.

Your rights under this guarantee are additional to your statutory rights, which in turn are not affected by this guarantee.

Should you require after sales service or assistance with this product please go to www.dimplex.co.uk where you will find our self help guide by clicking on "After Sales" or ring our help desk on 0845 600 5111 (UK) or 01 842 4833 ROI.

Spare parts are also available on the website www.dimplex.co.uk.

Please retain your receipt as proof of purchase.



This product complies with the European Safety Standard EN60335-2-30 and the European Standard for Electromagnetic Compatibility (EMC) EN55014, EN60555-2 and EN60555-3. These cover the essential requirements of EEC Directives 2006/95/EC and 2004/108/EC

Dimplex UK Limited
Millbrook House
Grange Drive
Hedge End
Southampton
Hampshire SO30 2DF

www.dimplex.co.uk

Republic of Ireland

01 8424833