

### Dimplex Lymington Log Effect Radiant - Convector Fire with Optiflame™ \* Effect Model : LYM28EL

08/18764/1 Issue 1

\* Patented Application No. 9303003.9

#### Dimensions

(millimetres)

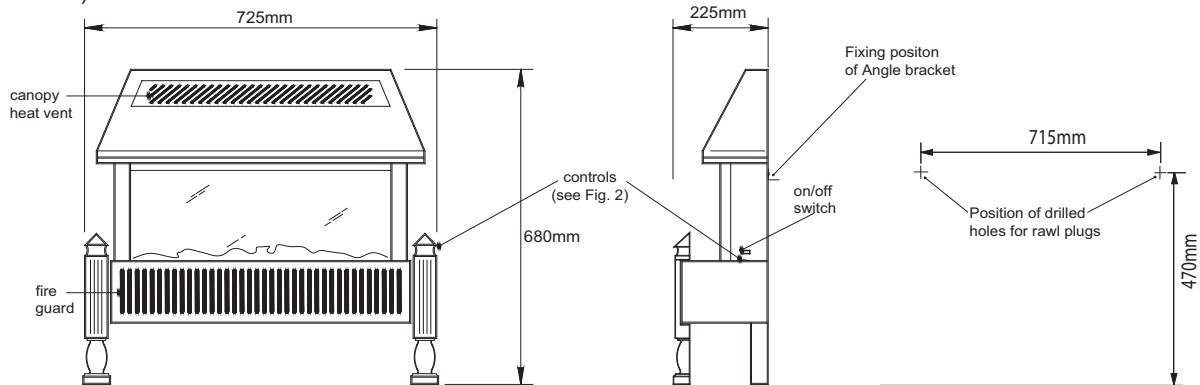


Fig. 1

THESE INSTRUCTIONS SHOULD BE READ CAREFULLY AND RETAINED FOR FUTURE REFERENCE.

#### Important Safety Advice

When using electrical appliances, basic precautions should always be followed to reduce the risk of fire, electrical shock, and injury to persons, including the following:

If the appliance is damaged, check with the supplier before installation and operation.

Do not use outdoors.

Do not use in the immediate surroundings of a bath, shower or swimming pool.

Do not locate the heater immediately below a fixed socket outlet or connection box.

Do not cover the heater. Do not place material or garments on the heater, or obstruct the air circulation around the heater, for instance by curtains or furniture, as this could cause overheating and a fire risk.

This appliance is not intended for use by children or other persons without assistance or supervision if their physical, sensory or mental capabilities prevent them from using it safely. Children should be supervised to ensure that they do not play with the appliance.

Caution: In order to avoid a hazard due to inadvertent resetting of the thermal cut-out, this appliance must not be supplied through an external switching device, such as a timer, or connected to a circuit that is regularly switched on and off by the utility.

Ensure that furniture, curtains or other combustible material are positioned no closer than 1 metre from the heater.

In the event of a fault unplug the heater.

Unplug the heater when not required for long periods.

If the supply cord is damaged it must be replaced by the manufacturer or service agent or a similarly qualified person in order to avoid a hazard.

Although this heater complies with safety standards, we do not recommend its use on deep pile carpets or on long hair type of rugs.

The appliance must be positioned so that the plug is accessible.

#### Electrical

##### WARNING – THIS APPLIANCE MUST BE EARTHED

This heater must be used on an AC ~ supply only and the voltage marked on the heater must correspond to the supply voltage. Before switching on, please read the safety warnings and operating instructions.

#### General

Unpack the heater carefully and retain the packaging for possible future use, in the event of moving or returning the fire to your supplier.

#### Installation

The heater is designed for use against a wall or in front of a fireplace. Always ensure that the heater is stood on a firm, level surface also to prevent the heat from tipping over its is recommended that it is fixed to the wall by means of hooks. The fire is supplied with two hooks, two rawl plugs and two angle brackets. The rawl plugs supplied are only suitable for use on a block wall. (Special fasteners are required on a stud wall) The fixing positions of the Hooks are shown in **Fig.1**. The angle brackets are attached to the fire by removing the two silver screws at the back of the fire. Using the removed silver screws attach the angle brackets as shown in **Fig.1** to the fire making sure the screws are fasten tight.

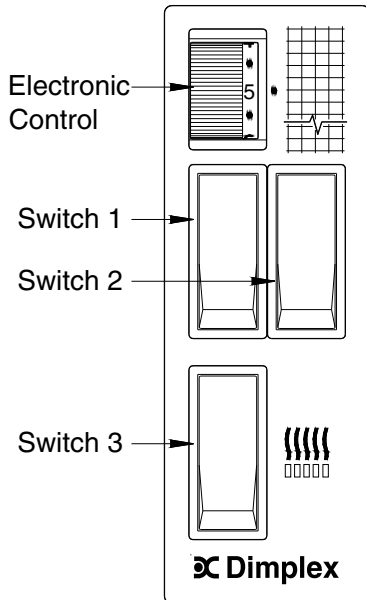


Fig. 2

## Controls

This powerful heater gives a wide range of heat outputs, with radiant and convection heating that can be used separately or together, with a flame effect that can be lit even when the heating elements are switched off.

An ON/OFF switch on the side panel controls the electricity supply to the heater - see Fig. 1.

## Flame Effect

Movement of the flame effect is constant whilst the heater is switched on.

## Radiant Fire

You have a choice of low heat (two elements) or high heat (three elements). Both settings have electronic temperature control.

## Low Heat Setting

Press switch 1 to ON, two elements will glow and when the temperature selected on the electronic control is reached, one of the elements will automatically turn off, switching back on if the temperature falls - see Fig. 2.

## High Heat Setting

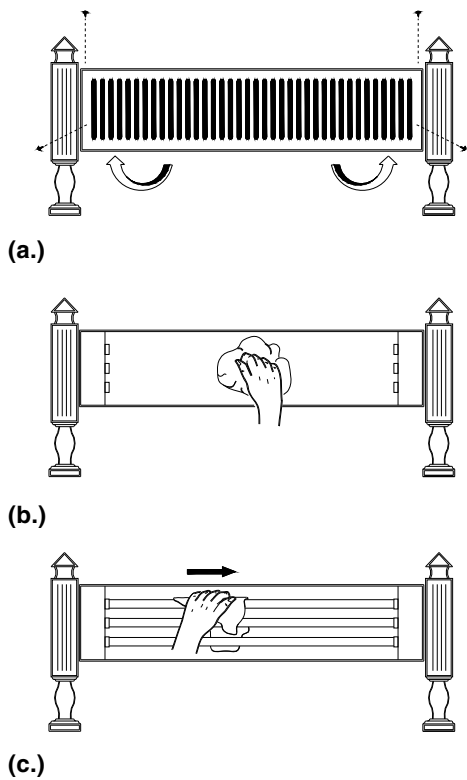
With the heat switch 1 in the ON position, press switch 2 to ON. Three elements will glow and when the temperature selected on the electronic control is reached, two of the elements will turn off, automatically switching back on if the temperature falls. The fire can be returned to the low heat setting by pressing switch 2 to OFF – see Fig 2.

## Convactor Heater

The convactor can be used either by itself for background heating, or with the radiant fire to give extra heat. The output of warm air is through the vent in the canopy. This vent must **never** be **covered** or **obstructed**. Press switch 3 to the ON position, warm air will now come through the vent in the canopy until the temperature selected on the electronic control is reached, the convactor will then automatically turn off, switching back on if the temperature falls.

## Electronic Economiser Temperature Control

This sensitive output control will switch the radiant elements and the convactor element ON and OFF to maintain the level of comfort that you have selected. First choose either low or high radiant settings and then turn the control dial to 7. When the room reaches a comfortable level of warmth turn the control dial down until the elements switch off. The control dial should be left at this setting and the electronic control will then switch the elements to maintain your chosen comfort level – see Fig 2.



**Fig. 3**

## Maintenance

**BEFORE UNDERTAKING ANY MAINTENANCE OR CLEANING REMOVE PLUG OR DISCONNECT FROM THE ELECTRICITY SUPPLY.**

### Removing the Guard

The guard is removed by unscrewing the two screws at each end and withdrawing the lower edge first - see Fig 3 (a). Replace it by reversing the procedure.

### Cleaning the Reflector

The reflector may be more easily cleaned if the elements are first removed - see instruction below for removing the element.

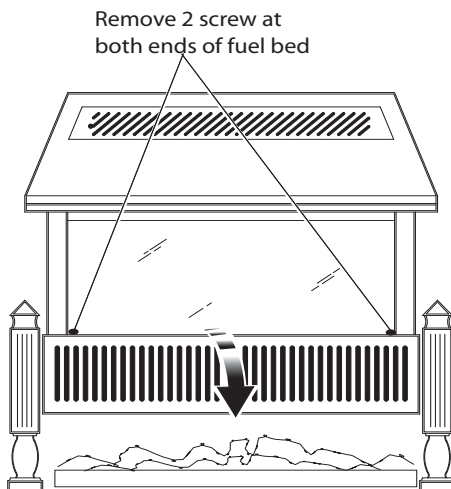
Wipe reflector with a dry cloth - see Fig 3 (b).

DO NOT use abrasive cleaning powders or metal polish.

### Removing the Elements

In time it may be necessary to remove the elements for replacement or for cleaning the reflector. First remove the guard, as described above.

The elements which are spring loaded, should be gripped near their end using using a soft cloth to protect the surface - see Fig 3 (c) . Each element should be pushed carefully but firmly to one side until the other end disengages from its socket. The element may then be withdrawn. Replacement is the reverse of removal .



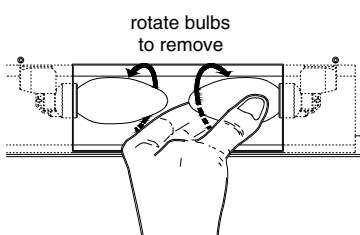
**Fig. 4**

### Lamp replacement

Two lamps are located underneath the fuel bed which is located in the front of the fire.

To gain access to the lamps, the two screws which secure the fuel bed in place must be removed. With the screws at both ends of the fuel bed removed the fuel bed can be lifted out to gain access to the bulbs Fig. 4

Remove the defective lamp by unscrewing or rotating it as indicated in Fig. 5. Replace with a 240V 60W E14 SES Clear Candle bulb, rotating it in opposite direction. Take care not to over-tighten the lamp. Refit the access panel and secure with the three screws.



**Fig. 5**

## Cleaning

**WARNING – ALWAYS DISCONNECT FROM THE POWER SUPPLY BEFORE CLEANING THE HEATER.**

For general cleaning use a soft clean duster – never use abrasive cleaners. The glass viewing screen should be cleaned carefully with a soft cloth. DO NOT use proprietary glass cleaners.

## After Sales Service

Your product is guaranteed for one year from the date of purchase.

Within this period, we undertake to repair or exchange this product free of charge (excluding lamps & subject to availability) provided it has been installed and operated in accordance with these instructions.

Your rights under this guarantee are additional to your statutory rights, which in turn are not affected by this guarantee.

Should you require after sales information or assistance with this product please go to [www.dimplex.co.uk](http://www.dimplex.co.uk) where you will find our self help guide by clicking on “After Sales” or ring our helpdesk on 0845 600 5444 (UK) or 01 842 4833 (R.O.I.) .

Spare parts are also available on the website

[www.dimplex.co.uk](http://www.dimplex.co.uk)

Please retain receipt as proof of purchase.



The product complies with the European Safety Standards EN60335-2-30 and the European Standard Electromagnetic Compatibility (EMC) EN55014, EN60555-2 and EN60555-3 These cover the essential requirements of EEC Directives 2006/95/EC and 2004/108/EC

Dimplex UK Ltd.  
Millbrook House  
Grange Drive  
Hedge End  
Southampton  
Hampshire. SO30 2DF

[www.dimplex.co.uk](http://www.dimplex.co.uk)

Republic of Ireland Tel. 01 8424833

[c] Dimplex UK Limited

All rights reserved. Material contained in this publication may not be reproduced in whole or in part, without prior permission in writing of Dimplex UK Limited.