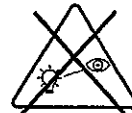
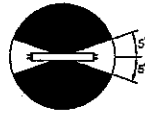


Dimplex Electric Patio Heater  
Model : OPH 1300

(IP54)



08/18963/0 Issue 0

### Dimensions (millimetres)

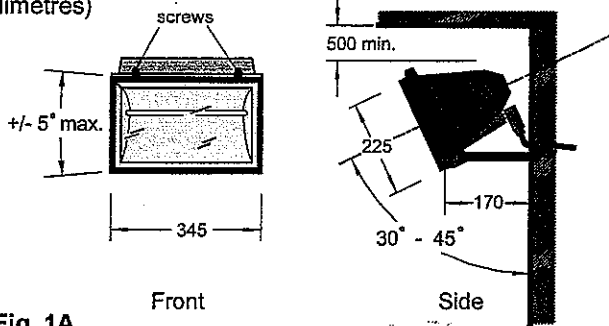


Fig. 1A

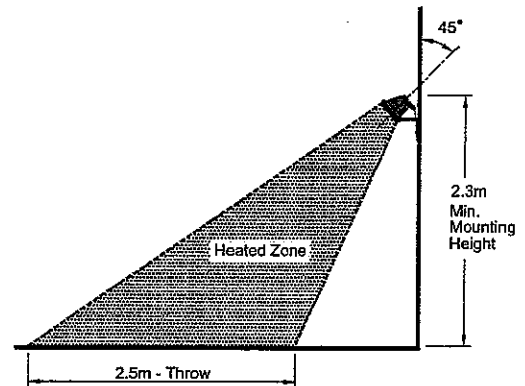


Fig. 1B

THESE INSTRUCTIONS SHOULD BE READ CAREFULLY AND RETAINED FOR FUTURE REFERENCE.

### Important Safety Advice

Because the Dimplex Patio Heater contains no moving parts little maintenance is required. Before undertaking any maintenance work on the heater due attention must be paid to the following:

- This heater is designed to be horizontally wall mounted only, it must not be ceiling mounted.
- Always ensure a safe mounting height, at or above a minimum height of 2.3 metres from ground level, so that the heater can not be touched when in operation.
- The heater must be wall mounted level  $\pm 5^\circ$  to the horizontal.
- Do not locate the heater immediately below a fixed socket outlet or connection box.
- Always disconnect the heater from the electricity supply before attempting to work on or near it.
- Always ensure a safe means of access using an access tower or properly supported ladder.
- Do not cover the heater.
- Keep combustible materials away from the heater.
- Do not position patio furniture, sunshades, awnings and other combustible materials too close to the heater.
- Halogen bulbs emit IR radiation which may cause eye injury - Do not look into the heater for prolonged periods.
- Do not use heater if the outer glass is scratched or broken - as injury may occur.
- Halogen bulbs can run with an internal pressure in excess of atmospheric and while construction is very strong there is a slight risk of shattering. If it is necessary to examine a bare bulb whilst in operation then the glass cover must be closed.
- Allow adequate time (minimum of 30 mins.) for the bulbs and body casing to cool before attempting to work on the heater.
- Always handle the Halogen bulb without touching the glass (by gripping the ceramic ends gently but firmly) to maximise bulb life - see Fig. 2.
- The supply cord should be regularly examined for signs of damage and the appliance is not to be used if the cord is damaged.

### General

Your Dimplex Patio Heater uses a halogen bulb which produces a high proportion of its output in the short-wave infra-red. This provides a high comfort factor – similar to natural energy from the sun – combined with low transmission losses through air and water laden atmospheres.

### Electrical

Wiring to the heater must be installed in compliance with the requirements of the IEE Regulations and any local or insurance regulations.

The OPH1300 is designed for use on 240V AC single phase supply. **Wiring between the heater and the spur outlet or isolation switch must be in a heat resisting cable suitable for external use (polychloroprene sheathed T85 rated or similar). Sufficient slack cable must be left to allow for angular adjustment of the heater body.**

An all-pole isolating switch with a minimum separation of 3mm in each pole must be fitted to facilitate isolation. This switch must either be positioned inside a building or have an IP rating against water ingress suitable for external installation.

Any other switching device should be tungsten bulb load rated.

The appliance must be supplied through a residual current device (RCD) having a rated residual operating current not exceeding 30mA. The appliance must be connected to socket-outlet having an earthing contact.

**Note :** Always ensure the cable grip is tightened.

### Installation

Heaters are supplied with an integral wall bracket which may be fixed through the mounting holes to any suitable structure. The bracket allows the heater to be inclined at the required angle.

The integral wall fixing bracket may be removed by fully unscrewing to facilitate its fixing.

The siting of the heater(s) should be such as to allow an even and uninterrupted distribution of radiation to the area(s) to be heated. Heaters are most effective when the beam angle is inclined down at an angle of between  $30^\circ$  to  $45^\circ$  to the vertical - see Fig. 1B.

When deciding upon the best location, consideration must be given to the following requirements:

- a. Avoid structures which might vibrate e.g. crane gantries. These could adversely affect bulb life.
- b. Comfort and safety could be compromised unless the heater is mounted at or above 2.3m from ground level.
- c. Ensure the wall bracket is level  $\pm 5^\circ$  to the horizontal before fitting the heater - see Fig. 1A.
- d. Allow a minimum of 500mm minimum clearance between the top of the heater and any horizontal surface.

## Bulb Replacement

**WARNING – BEFORE UNDERTAKING THIS TASK ENSURE THE HEATER IS DISCONNECTED FROM THE ELECTRICITY SUPPLY AND LEFT TO COOL FOR A MINIMUM OF 30 MINUTES.**

The front cover on the appliance is designed to allow easy bulb replacement, but if good access is not available it may be safer to remove the heater.

- (1) Open the front cover by first turning the fastening screws anti-clockwise.
- (2) Remove the bulb by gently releasing the ends from the spring clips. Keep the bulb square and do not twist the ends or apply undue force.
- (3) Before removing the new bulb from its protective packing it is important to be aware that halogen bulbs are fragile and must be handled with care at all times. Avoid touching the surface of the bulb with bare fingers. If the bulb is accidentally touched remove the finger print with a soft cloth moistened with methylated spirit.
- (4) Hold the bulb firmly but gently at the ceramic connectors at each end (see Fig. 2) and offer up to the spring mounting clips. Push the bulb fully into the clips taking care to keep it square. Do not twist the ends or apply undue force.
- (5) The front cover may then be secured by pushing firmly closed and retightening the screws.

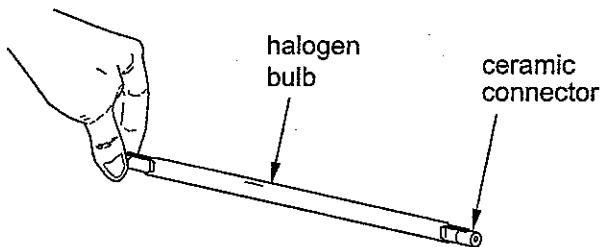


Fig. 2

## Cleaning and User Maintenance

**WARNING: BEFORE UNDERTAKING CLEANING OR MAINTENANCE WORK ON THE APPLIANCE, DISCONNECT THE ELECTRICITY SUPPLY.**

Since the appliance contains no moving parts little maintenance is required beyond cleaning and bulb replacement. It is, however essential that the heater is not operated with an accumulation of dust or dirt on the bulb, glass or reflector as this can cause a build up of heat and eventual damage. For this reason the heater must be inspected regularly, depending upon conditions and at least at yearly intervals.

Halogen bulbs run with an internal pressure in excess of atmospheric and while construction is very strong there is a slight risk of shattering. If it is necessary to examine a bulb whilst in operation then the front cover must be closed.

Allow adequate time for the bulb and body casing to cool before attempting to work on the heater - a minimum time of 30 minutes is recommended.

## After Sales Service

Your product is guaranteed for one year from the date of purchase. Within this period, we undertake to repair or exchange this product free of charge (excluding bulb & subject to availability) provided it has been installed and operated in accordance with these instructions.

Your rights under this guarantee are additional to your statutory rights, which in turn are not affected by this guarantee.

Should you require after sales service you should contact our customer services help desk on 0870 727 0101. It would assist us if you can quote the model number, series, date of purchase, and nature of the fault at the time of your call. The customer services help desk will also be able to advise you should you need to purchase any spares.

Please do not return a faulty product to us in the first instance as this may result in loss or damage and delay in providing you with a satisfactory service.

Please retain your receipt as proof of purchase.



The product complies with the European Safety Standards EN60335-2-30 and the European Standard Electromagnetic Compatibility (EMC) EN55014, EN60555-2 and EN60555-3 which cover the essential requirements of EEC Directives 73/23 and 89/336

Glen Dimplex UK Limited  
Millbrook House  
Grange Drive  
Hedge End  
Southampton  
Hampshire. SO30 2DF

UK customer help line (8.00AM – 6.00PM Mon-Fri; 8.30AM-1.00PM Sat)

Customer Services:	Tel.	0870 7270101
	Fax.	0870 7270102
	e-mail	customer.services@glendimplex.com
Republic of Ireland	Tel.	01 8424833

[c] Glen Dimplex UK Limited

All rights reserved. Material contained in this publication may not be reproduced in whole or in part, without prior permission in writing of Glen Dimplex UK Limited.