

Rectory  
Montana

Model: REC20R  
Model: MON20R



08/18893/0 Issue 0

### Dimensions (millimetres)

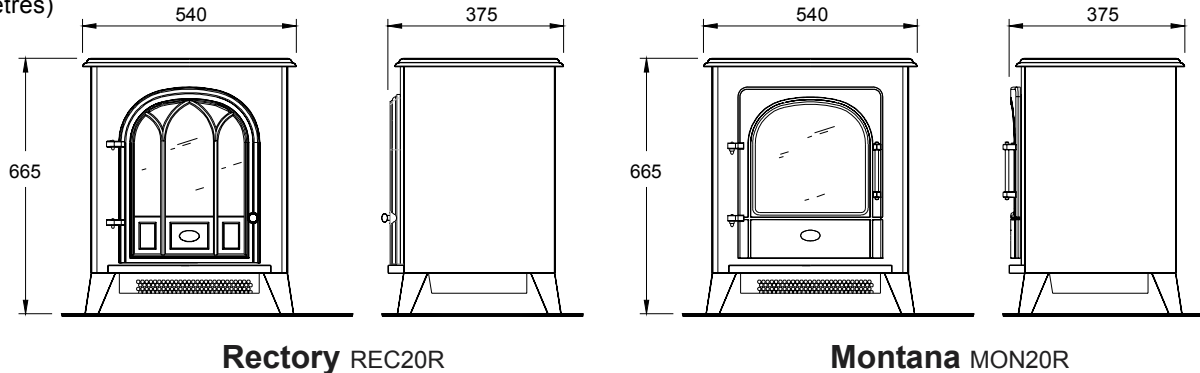


Fig. 1

THESE INSTRUCTIONS SHOULD BE READ CAREFULLY AND RETAINED FOR FUTURE REFERENCE.

### Important Safety Advice:

When using electrical appliances, Basic precautions should always be followed to reduce the risk of fire, electrical shock, and injury to persons, including the following:

- If the appliance is damaged, check with the supplier before installation and operation.
- Do not use outdoors.
- Do not use in the immediate surroundings of a bath, shower or swimming pool.
- Do not locate the heater immediately below a fixed socket outlet or connection box.
- Do not cover the heater. Do not place material or garments on the heater, or obstruct the air circulation around the heater, for instance by curtains or furniture, as this could cause overheating and a fire risk.
- Do not leave young children or the infirm unsupervised in the vicinity of the heater.
- Do not use this heater in series with a thermal control, a program controller, a timer or any other device that switches on the heat automatically, since a fire risk exists when the heater is accidentally covered or displaced.
- Ensure that furniture, curtains or other combustible material are positioned no closer than 1 metre from the heater.
- In the event of a fault unplug the heater.
- Unplug the heater when not required for long periods.
- Although this heater complies with safety standards, we do not recommend its use on deep pile carpets or on long hair type of rugs.
- The appliance must be positioned so that the plug is accessible.
- If the supply cord is damaged it must be replaced by the manufacturer or service agent or a similarly qualified person in order to avoid a hazard.
- Keep the supply cord away from the front of the heater.

### Introduction

These fires incorporate a flame effect, which can be used with or without heating, so that the comforting effect may be enjoyed at any time of the year. The flame effect is provided by a low wattage motor and two 25 watt lamps. Using the flame effect on its own, therefore, requires little electricity.

The manual controls are located behind the firebox door. The remote control is packed separately in the carton. A Choice of 1kw or 2kw thermostatically controlled heat output is provided by the fan heater, which is concealed beneath the unit.

These models are designed to be free standing and are normally positioned against a wall.

**Please note: Used in an environment where background noise is very low, it may be possible to hear the fan which operates the flame effect. This is normal and should not be a cause for concern.**

### Electrical connection

#### WARNING – THIS APPLIANCE MUST BE EARTHED

This heater must be used on an AC ~ supply only and the voltage marked on the heater must correspond to the supply voltage. This heater is fitted with a rewirable plug incorporating a 13 amp fuse. In the event of replacing the fuse in the plug supplied, a 13 amp fuse approved by ASTA to BS 1362 must be used. If any other type of plug is used, a 15 amp fuse must be fitted in the plug, the adaptor, or at the distribution board.

**IMPORTANT :** If the plug is not suitable for your socket, the 13 amp plug should be removed. Before wiring the appropriate plug, please note that the wires in this mains lead are coloured in accordance with the following code :

**GREEN AND YELLOW :** EARTH  
**BLUE :** NEUTRAL  
**BROWN :** LIVE

Connect the **GREEN AND YELLOW** wire to the terminal marked 'E' or by the earth symbol  $\oplus$ . Connect the **BROWN/RED** wire to the terminal marked 'L'. Connect the **BLUE/BLACK** wire to the terminal marked 'N'.

## Operation

The controls are located behind the hinged 'ash-pan' flap (see Fig. 2).

Connect the fire to your electricity supply.

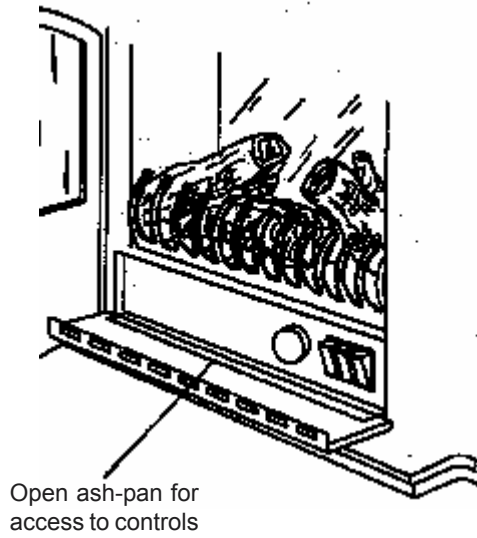


Fig. 2

**Note:** When either the remote control or the manual controls are used, the neon's will come on for 3 seconds indicating the relevant setting (see fig. 3).

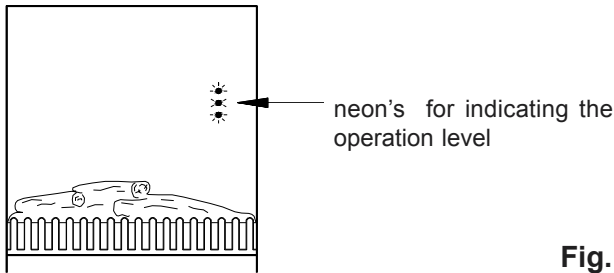


Fig. 3

## Battery information

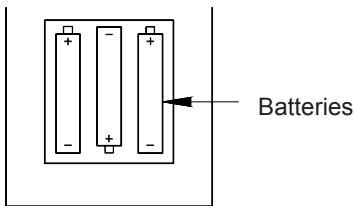


Fig. 4

1. Slide open the battery cover on the back of the remote control
2. Install three AAA batteries into the remote control (see Fig. 4)
3. Replace the battery cover.

## Discard leaky batteries

Dispose of batteries in the proper manner according to Provincial and local regulations. Any battery may leak electrolyte if mixed with a different battery type, if inserted incorrectly, if all the batteries are not replaced at the same time, if disposed of in a fire or if an attempt is made to charge a battery not intended to be recharged.

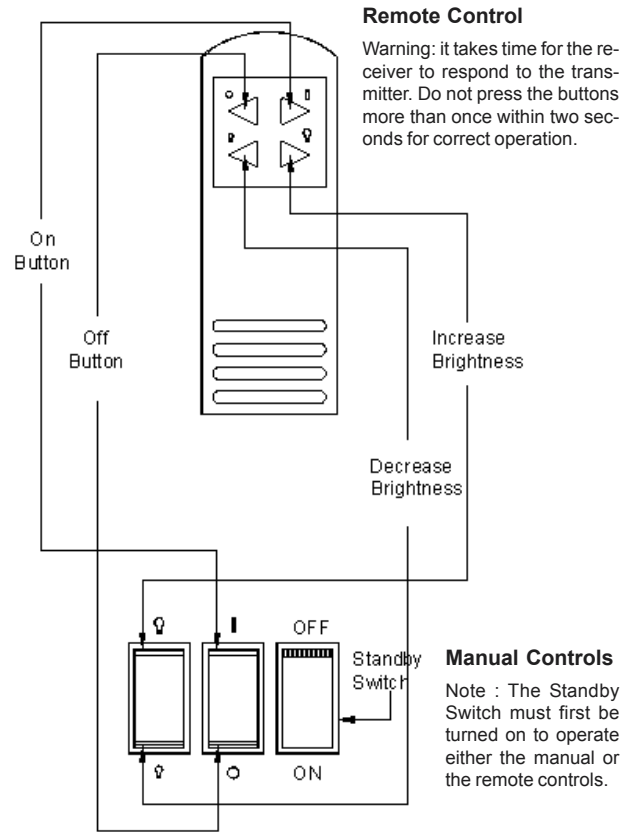


Fig. 5

## Manual or Remote Operation

Setting	Operation	Indication
Flame effect	Press the 'ON' button once	Bottom Neon
Flame effect & 1kW heat	Press the 'ON' button again	Bottom & Middle Neon
Flame effect & 2kW heat	Press the 'ON' button again	All 3 Neon's heat
To turn off any of the settings	Press the 'OFF' button once	
To increase or decrease the brightness of the fuel effect use the buttons as shown in Fig. 5		

## Thermostat Operation (see Fig. 6)

The thermostat controls the heat output according to the room temperature. This ensures that the heater will not produce heat unnecessarily when the room is warm.

To set the temperature you require, turn the thermostat knob fully clockwise to 'max' position. When the room is warm enough, turn the knob back slowly until the thermostat just clicks off. The heater will now maintain your selected temperature.

**Note :** Once the thermostat has switched the appliance OFF it may take some time before the heater comes back on. This does not mean that the appliance is faulty.

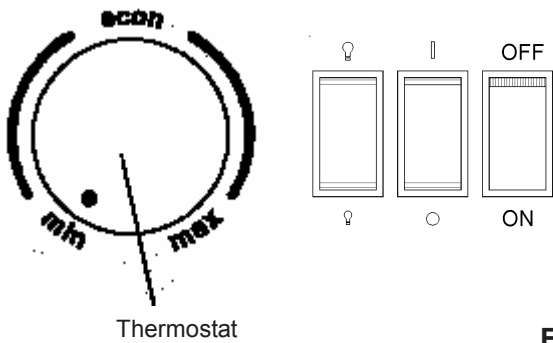


Fig. 6

### Thermal Safety Cut-out

A thermal safety cut-out is incorporated in the heater to prevent damage due to overheating.

This can happen if the heat outlet was restricted in any way. The heater will switch on once the obstruction has been removed and the heater has cooled. If the cut-out continues to operate intermittently, the heater should be switched off and a service agent contacted.

### Maintenance

**WARNING: ALWAYS DISCONNECT FROM THE POWER SUPPLY BEFORE ATTEMPTING ANY MAINTENANCE.**

### Instructions for fitting Coal Option

#### Introduction

Your fire is provided with a coal effect option. Simply follow the instructions given below.

#### Removal of Log Effect

Remove the four screws securing the log effect assembly and slide out ( see Fig. 7).

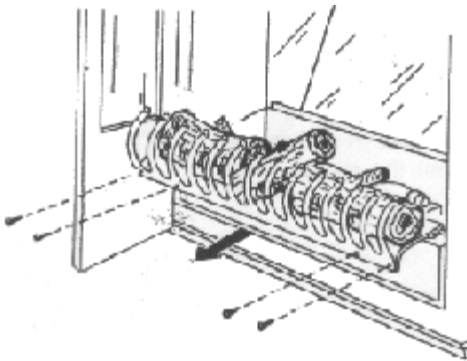


Fig. 7

#### Fitting Coal Effect

Fit the coal effect in position and secure with the four screws (see fig. 8)

Place the coal lumps on the fuel bed. A plastic glove is provided for handling the coal.

**Note:** The log effect should be stored away for possible future use.

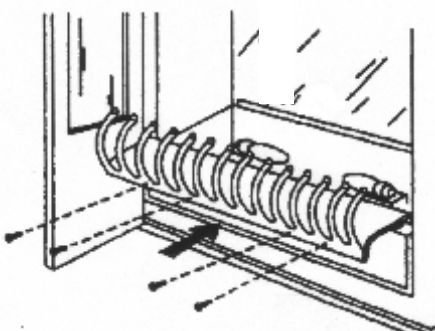


Fig. 8

### Lamp Replacement

To gain access to the lamps remove the coal/log effect from the fire by unscrewing the four fixing screws from the fuel bed and sliding out the fuel effect.

Unscrew any defective lamps (see Fig. 9) and replace with 240V, 25 watt E14 SES clear candle lamp. Do not overtighten.

Refit fuel effect, securing with the four fixing screws.

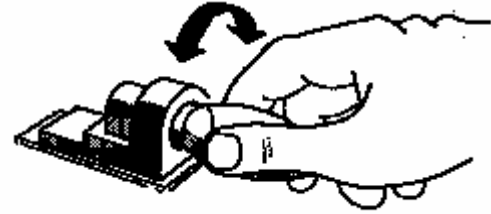


Fig. 9

## Cleaning

Before commencing cleaning, unplug the heater and allow it to cool.

The surfaces of the heater should be given an occasional wipe over with a soft damp cloth. Do not use detergents, abrasive cleaning powder or polish on the body of the heater.

The viewing screens should be cleaned carefully with a cham-  
ois leather.

DO NOT use proprietary glass cleaners.

To remove any accumulation of dust or fluff the soft brush attachment of a vacuum cleaner should occasionally be used to clean the outlet grille of the fan heater.

## After Sales Service

Your appliance is guaranteed for one year from the date of purchase. We undertake to repair or exchange free of charge within this period, any part with the exception of a lamp found to be defective due to a manufacturing fault.

Your rights under this guarantee are additional to your statutory rights, which in turn are not affected by this guarantee.

Please retain your receipt as proof of purchase.



The product complies with the European Safety Standards EN60335-2-30 and the European Standard Electromagnetic Compatibility (EMC) EN55014, EN60555-2 and EN60555-3 which cover the essential requirements of EEC Directives 73/23 and 89/336

Glen Dimplex UK Limited  
Millbrook House  
Grange Drive  
Hedge End  
Southampton  
Hampshire. SO30 2DF

UK customer help line (8.00AM – 6.00PM Mon-Fri; 8.30AM-1.00PM Sat)

Customer Services:	Tel.	0870 7270101
	Fax.	0870 7270102
	e-mail	customer.services@glendimplex.com
Republic of Ireland	Tel.	01 8424833