

STORAGE HEATER SHELF FITTING INSTRUCTIONS

Models: SHE6, SHE12, SHE18, SHE24

83977 Issue 10 : 05.09

CONTENTS

- 1 x Shelf
- 2 x Wall Brackets, 1 Left Hand & 1 Right Hand
- 4 x No. 6 x 3/8" Self-tapping screws
- 4 x Fibre Rawl Plugs
- 4 x No. 10 x 2" Fixing Screws
- 1 x Flexible Seal

TOOLS REQUIRED

- Pozi-drive Screwdriver
- Suitable Drill

ASSEMBLY OF SHELF

- 1 Lay the main shelf body face down on a smooth surface to prevent damage to the paint finish.

- 2 Take one of the end brackets, position as shown in Fig. 1, ensuring the "lip" of the end bracket is underneath the "lip" of the shelf body.

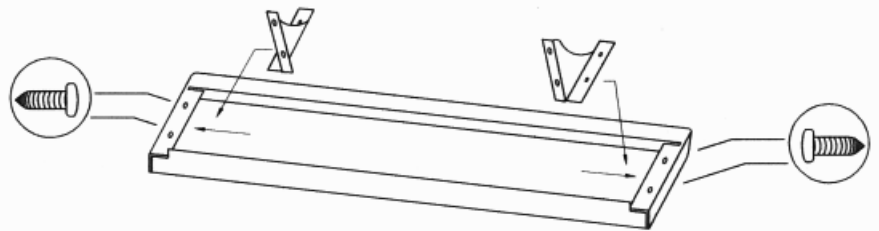


FIG.1

- 3 Using a pozi-drive screwdriver, fix the end bracket to the shelf body with two of the No. 6 x 3/8" self tapping screws provided in the fixing kit.

- 4 Repeat procedures 2 and 3 for the remaining end bracket.

- 5 Peel off the back of the sealing strip, if necessary trimming to size, and attach to the back of the shelf as shown in fig. 2.

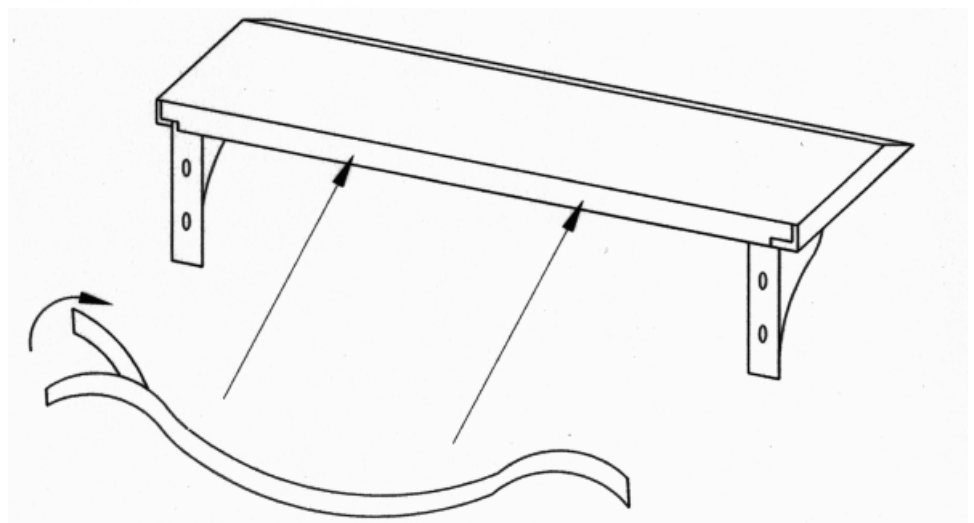


FIG.2

- 6 Position the shelf centrally above the heater so that the bottom edge of the shelf is at least 150mm above the top surface of the heater. Check that the shelf is level and mark the positions of the four screw holes on the wall, refer to fig. 3.

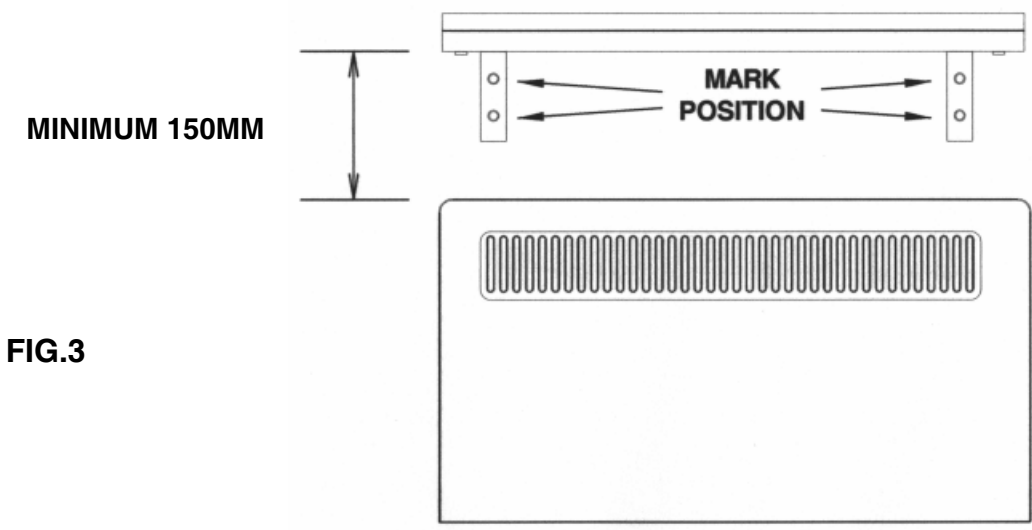


FIG.3

- 7 Taking care to prevent dust entering the heater drill the four holes, insert the rawl plugs and fix the shelf to the wall using the four fixing screws provided. If the walls are panelled type please use suitable fixings.

Warning - If an alternative shelf (wooden, shelf with longer overhang) is to be used then it must be located 250mm above the top surface of the heater.

**NOTE: CXL/S12N and CXL/S18N MODELS ONLY
WHEN MOUNTING AN ALTERNATIVE SHELF
THE FOLLOWING APPLIES:**

If an alternative shelf other than the Dimplex SHE is installed closer to the top surface of the CXL/S12 or the CXL/S18 than 250mm, but no less than 150mm, then de-rating of the convector element is required. Move the brown wire as indicated in Fig. 4 to the empty terminal as shown in Fig. 5.

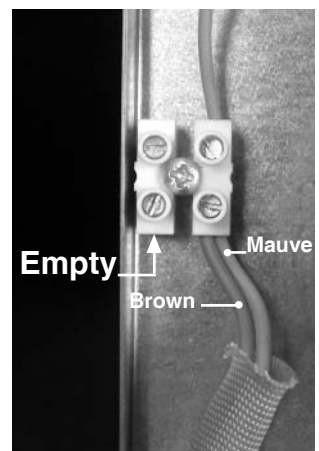


Fig. 4 - before de-rating

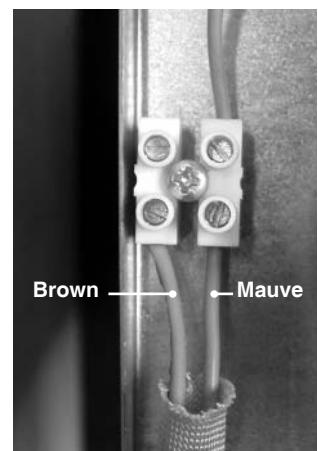


Fig. 5 - after de-rating

Model	Brown Wire still in circuit (upper element)	Mauve Wire still in circuit (lower element)	Both in circuit
CXL/S12N	450W	450W	900W
CXL/S18N	450W	1000W	1450W

Dimplex Dimplex UK Limited,
Millbrook House,
Grange Drive,
Hedge End,
Southampton, SO30 2DF.

Tel:
Fax:
Web-site

0845 600 5111
01489 773 050
www.dimplex.co.uk