

### IMPORTANT

These instructions should be read carefully and retained for future reference. Note also the information given on the appliance.

# XLSN Automatic Storage Heaters

(96515 Iss. 12)

## IMPORTANT SAFETY INFORMATION

**WARNING - THE SURFACE OF THIS HEATER CAN BE HOT.** The surface temperatures of this heater are within the requirements of EN60335-2-61, the European Standard covering the safety requirements for Electric Storage Heaters, and momentary contact with any part of the heater should not cause injury. However, in order to be effective, heaters of any type do get hot, especially around the air outlet grille.

**Therefore, if aged or infirm persons, or young children, are likely to be left unsupervised in the vicinity of a heater precautions should be taken to ensure that prolonged contact with the heater cannot occur.** We recommend that a guard is fitted around the heater, as is normal with some types of heating appliances in similar circumstances. A range of guards specially designed for Dimplex storage heaters is available. If you require further information on these guards, please contact the Dimplex Help Desk on 0845 600 5111.

This appliance is not intended for use by persons (including children) with reduced physical, sensory or mental capabilities, or lack of experience and knowledge, unless they have been given supervision or instruction concerning use of the appliance by a person responsible for their safety. Children should be supervised to ensure that they do not play with the appliance.

**CAUTION: DO NOT COVER SURFACES OF THE HEATER AND DO NOT OBSTRUCT AIR OUTLET GRILLES.** Surfaces of the heater should not be covered or obstructed as this can cause excessive temperatures that can be hazardous and may cause safety cut-outs to operate. For example, do not put clothes, fabrics or any combustible materials on the heater or allow curtains to come within 75mm (3") of the top and ends of the heater and do not allow furniture to be pushed up against the heater.

**PLEASE NOTE: YOUR STORAGE HEATER IS VERY HEAVY AND MUST BE SECURELY FIXED TO A SOUND WALL.**

**No attempt should be made to move the heater without first seeking specialist advice.** If you are not happy that the heater has been securely fixed, please inform your installer. If, during any reassembly of the heater, a part of the thermal insulation shows damaged or deterioration which may impair safety, it should be replaced with an identical part.

**UNDER NO CIRCUMSTANCES SHOULD THE WALL FIXINGS BE LOOSENED ON THIS HEATER BEFORE THE BRICKS HAVE BEEN REMOVED FROM ITS CORE.**

**DO NOT SIT OR STAND ON THE HEATER.**

**DO NOT PLACE OBJECTS IN CONTACT WITH THE HEATER.**

## Models XLS12N, XLS18N and XLS24N

Your Dimplex XLSN storage heater stores heat using low tariff, off-peak electricity and discharges it when tariffs are normal. These operating instructions assume that the correct size of storage heaters have been selected to cater for the heating requirements of the room.

## Setting the Controls

The control knobs have been positioned so that they are clearly visible to an adult, but out of sight of young children. In this way it is hoped that they will not provide temptation to a child to alter the settings.

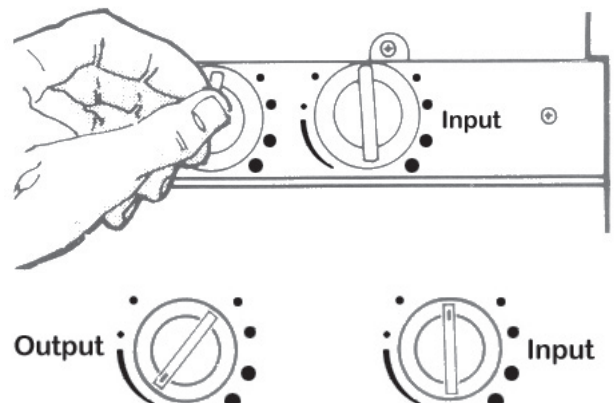
### Domestic Use

The right hand (INPUT) knob should initially be set at the midway position. If after the first charge period the room temperature is too high or too low, the position of this knob should be moved to a lower or higher position as appropriate. The most suitable position should be found by experience, and the control may be left at this position without further alteration.

Normally the left hand (OUTPUT) knob may be left on minimum (fully anticlockwise). This control may be moved to maximum in the evening if additional heat is required at that time. Return to minimum before retiring.

### Commercial Use

For normal commercial applications a setting of maximum on the output control will ensure maximum output during working hours. The input control should be set as described above for Domestic Use.

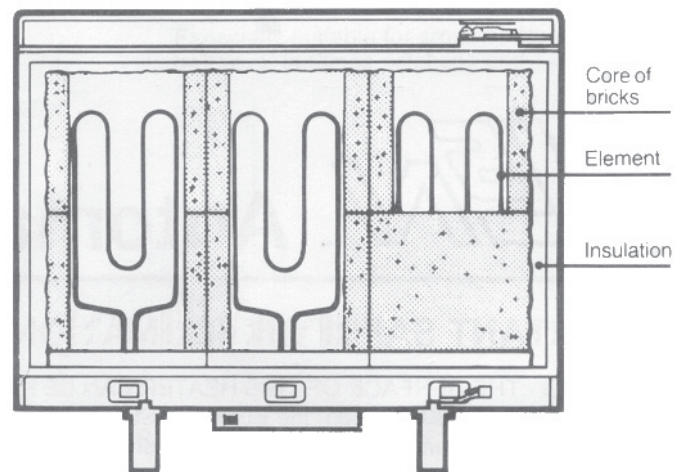


Should these settings not provide the comfort levels required, the more detailed instructions overleaf should be consulted.

## XLSN Storage heater - Principle of operation

Your XLSN heater consists of a core of high density heat storage bricks surrounded by a carefully designed insulating case. During off-peak periods elements within the brick core heat up the bricks to a temperature level determined by the setting you select using the input control knob and the prevailing weather conditions.

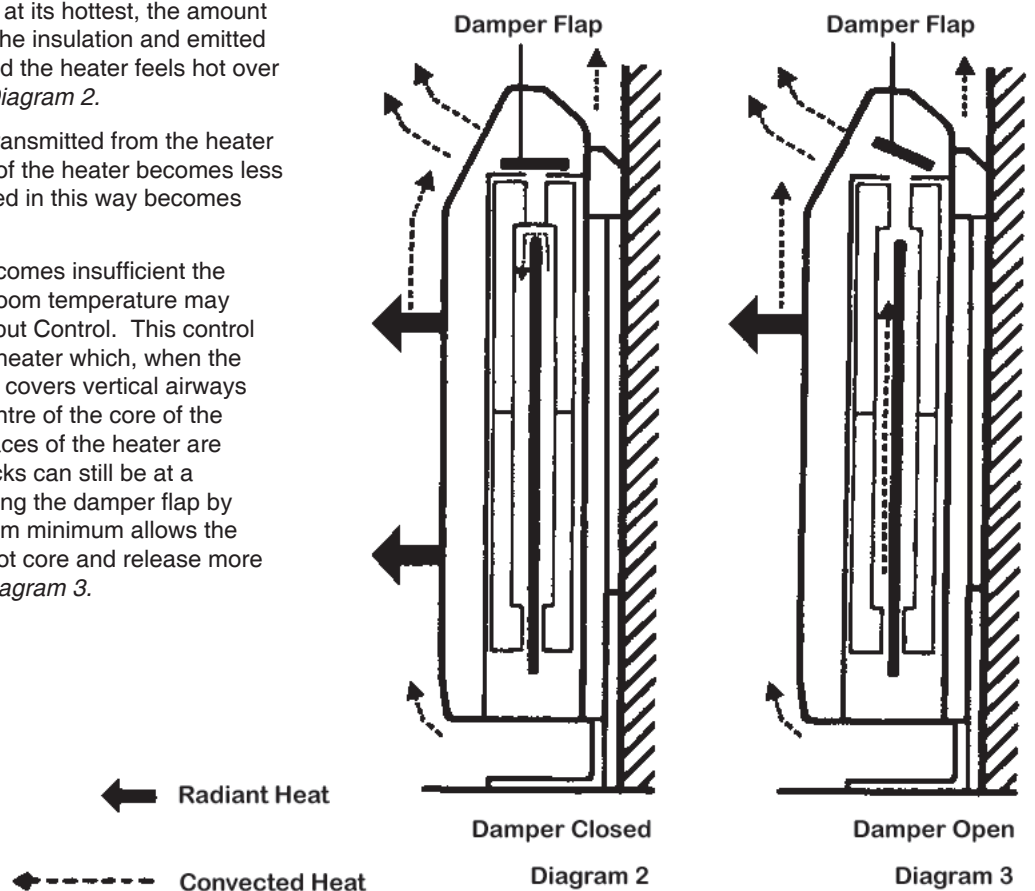
During the following day the heat stored in the brick core is gradually transmitted through the insulation and out of the heater case.



In the morning, when the core is at its hottest, the amount of heat being transmitted through the insulation and emitted as radiant heat is at its greatest and the heater feels hot over most of its upper outer surfaces. *Diagram 2.*

As the day progresses, heat is transmitted from the heater to the room and the outer surface of the heater becomes less hot and the amount of heat released in this way becomes less.

If the amount of emitted heat becomes insufficient the output of the heater and thus the room temperature may be increased by means of the Output Control. This control operates a damper flap within the heater which, when the output control knob is at minimum, covers vertical airways which pass directly through the centre of the core of the heater. Even when the outer surfaces of the heater are noticeably less hot, the core of bricks can still be at a relatively high temperature. Opening the damper flap by moving the output control away from minimum allows the room air to circulate through this hot core and release more heat to the room by convection. *Diagram 3.*



## Input Control

The setting of this control determines the temperature of the room at the end of the charge period, as measured by the heater's built-in room temperature sensor.

With the Output Control Knob set to minimum (fully anticlockwise) for domestic use, or maximum (fully clockwise) for commercial applications, the Input Control Knob should initially be set at the mid point position. During the day following the first charge period the comfort level provided by the heater should be noted. If it is felt that the level of heating is either too high or too low, then the Input Control Knob should be adjusted up or down as appropriate before the next charge period. This process should be repeated each day until the most acceptable conditions are attained. The Input Control knob should then be left at this setting, and the heater will automatically vary the charge taken in during subsequent charge periods to make the most effective use of off-peak electricity to provide the selected level of comfort at the end of each charge period.

In the Autumn and Spring a lower setting of the Input Control Knob should be sufficient, the actual setting required being influenced by the prevailing weather conditions, the room size and insulation levels. The most suitable settings will be found by experience.

## Output Control

Depending upon the amount of charge accepted by the heater, the Output control allows the release of additional heat by means of a damper which can be opened to allow a greater air flow through the heater core, and therefore additional circulation of heat. By altering the setting of the Output Control Knob the damper may be opened and closed manually, or it may be made to open automatically.

---

## Manual Operation

With the OUTPUT control on minimum the damper remains closed, and heat is released from the heater only by normal radiation and convection around the outer surfaces of the heater. This alone may provide sufficient heat on many occasions and therefore no alteration of the OUTPUT control is necessary. However, if a boost of heat is required in the evening period, then moving the OUTPUT control to maximum in the evening will immediately open the damper to allow more rapid release of any available stored heat. When the next charging period commences the damper will automatically close to prevent this release of extra heat during the charge period, but the OUTPUT control must be returned to minimum manually to obtain a similar operation the following day.

## Automatic Operation

The damper may be pre-set to open automatically each day if required. Setting the OUTPUT control at settings other than minimum results in an automatic boost of heat. A high setting on the output control knob causes the damper to open early afternoon/evening, conversely a lower setting causes it to open later.

Because the automatic opening of the damper is primarily dependent on core temperature then the amount of charge the heater has taken has a bearing on the time at which the damper opens. For a given setting of the OUTPUT control, the colder the weather (and, consequentially, the greater the charge taken automatically by the heater) the later the damper will open.

Conversely, for a lower charge input (in milder weather) the earlier the damper will open for a given room temperature boost setting.

The most suitable settings of the Output control for different conditions will be found by experience.

Remember - a high setting of the OUTPUT control early in the day may leave too little heat stored in the heater for the evening, especially during the less cold weather conditions.

---

**IMPORTANT** - Due to the newness of the materials the heater will produce a slight smell for the first few days of operation. ROOMS MUST BE WELL VENTILATED AND YOUNG CHILDREN, CAGED BIRDS, OR PERSONS WITH RESPIRATORY COMPLAINTS MUST NOT REMAIN IN CLOSE PROXIMITY TO THE HEATER DURING THE FIRST 48 HOURS OF THE COMMISSIONING PERIOD.

**To commission the heater set both the input and output controls to maximum and leave for 48 hours, after this period the controls should be adjusted for everyday use - see 'SETTING THE CONTROLS' on the front cover of these instructions.**

---

## Cleaning

To maintain the external appearance of the radiator it need only be wiped over occasionally with a dry duster. During the summer months, or at other times when the appliance is not in use and is completely cold, the opportunity should be taken to wipe over with a damp cloth. Do not use abrasive cleaning powders or furniture polish.

Discoloration of wall finishes can sometimes occur immediately above a storage heater due to the properties of some paints and decorating materials or the presence of environmental impurities in the air (such as soot or incense generated from the burning of candles, etc.) A suitable shelf (available from Dimplex) may be fitted to limit the extent of any wall discoloration.

---

## After Sales Service

Your product is guaranteed for two years from the date of purchase.

Within this period, we undertake to repair or exchange this product free of charge (subject to availability) provided it has been installed and operated in accordance with these instructions.

Your rights under this guarantee are additional to your statutory rights, which in turn are not affected by this guarantee.

Should you require after sales information please go to [www.dimplex.co.uk](http://www.dimplex.co.uk) where you will find our self help guide by clicking on 'After Sales' or ring our help desk on 0845 600 5111 (UK) or 01842 4833 (ROI).

Spare parts are also available on the web site [www.dimplex.co.uk](http://www.dimplex.co.uk).

It would assist us if you can quote the model number, series, date of purchase, and nature of the fault at the time of your call. The customer services help desk will also be able to advise you should you need to purchase any spares.

Please do not return a faulty product to us in the first instance as this may result in loss or damage and delay in providing you with a satisfactory service.

**Please retain your receipt as proof of purchase.**

---

## Total Co-ordinated Heating

Dimplex manufactures a complete range of heating appliances in matching style, to provide co-ordinated heating throughout the home or office. Brief details are given overleaf.

---

## RECYCLING



**For electrical products sold within the European Community.**

At the end of the electrical products useful life it should not be disposed of with household waste. Please recycle where facilities exist. Check with your Local Authority or retailer for recycling advice in your country.

© Dimplex UK Limited

All rights reserved. Material contained in this publication may not be reproduced in whole or part, without prior permission in writing from Dimplex UK Limited.

**Dimplex**

Dimplex UK Limited  
Millbrook House,  
Grange Drive, Hedge End,  
Southampton  
Hampshire  
SO30 2DF

Customer Help Line

Mon–Thurs 08.30-17.00 and Fri 08.30-16.00 (Sept–April)

Mon–Thurs 08.30-17.00 and Fri 08.30-15.00 (May to August)

Fax

01489 773 050

Web-site

[www.dimplex.co.uk](http://www.dimplex.co.uk)

e-mail

[technical.services@dimplex.co.uk](mailto:technical.services@dimplex.co.uk)

Republic of Ireland

01 842 4833