

### Low Wattage Panel Heater

DXLWP400TS, DXLWP800TS, DXLWP400TiE7, DXLWP800TiE7 & DXLWP800TiE7B

Designed to provide gentle background heating, to take the chill off a room. Ideally to be used with a principal source of heating.

As with all portable heating appliances: This product is suitable only for well insulated spaces or occasional use.

# Installation and Operating Instructions

IMPORTANT: THESE INSTRUCTIONS SHOULD BE READ CAREFULLY BEFORE USE AND RETAINED FOR FUTURE REFERENCE

## IMPORTANT SAFETY ADVICE

**DO NOT** use the heater in the immediate surroundings of a bath, a shower or a swimming pool.

**DO NOT** place the heater directly below a fixed socket outlet.

The socket-outlet must be accessible at all times to enable the mains plug to be disconnected as quickly as possible.

**DO NOT** cover the product.



The heater carries a warning symbol to alert the user to the risk of fire that exists if the heater is accidentally covered

**DO NOT** use this heater in small rooms when they are occupied by persons not capable of leaving the room on their own, unless constant supervision is provided.

**IMPORTANT:** If the mains lead of this appliance is damaged, it must be replaced by the manufacturer or its service agent or a similarly qualified person in order to avoid a hazard.

**WARNING:** In order to avoid a hazard due to inadvertent resetting of the thermal cut-out, this appliance must not be supplied through an external switching device, such as a timer, or connected to a circuit that is regularly switched on and off by the utility.

This appliance can be used by children aged from 8 years and above and persons with reduced physical, sensory or mental capabilities or lack of experience or knowledge if they have been given supervision or instruction concerning the use of the appliance in a safe way and understand the hazards involved. Children shall not play with the appliance. Cleaning and user maintenance shall not be made by children without supervision. Children of less than 3 years should be kept away unless continuously supervised.

Children aged from 3 years and less than 8 years shall only switch on/off the appliance provided that it has been placed or installed in its intended normal operating position and they have been given supervision or instruction concerning the use of the appliance in a safe way and understand the hazards involved. Children aged from 3 years and less than 8 years shall not plug in, regulate and clean the appliance or perform user maintenance.

**CAUTION:** Some parts of this product can become very hot and cause burns. Particular attention has to be given where children and vulnerable people are present.

**IMPORTANT:** Avoid use of an extension cord because the extension cord may overheat and cause risk of fire.

**IMPORTANT:** The wall bracket or feet supplied with the appliance must be used.

**DO NOT** use this heater if it has been dropped

**DO NOT** use if there are visible signs of damage to the heater

Use this heater on a horizontal and stable surface, or fix it to the wall as applicable.

**WARNING:** Servicing and product repairs should only be undertaken by the manufacturers approved service agent or a similarly qualified person, using only exact manufacturer approved spare parts.

**WARNING:** To reduce risk of fire, keep textiles, curtains, or any other flammable material a minimum distance of 1m from the air outlet

This instruction leaflet belongs to the appliance and must be kept in a safe place. If changing owners, the leaflet must be surrendered to the new owner.

The heater must be on a flat stable surface when in use.

## ELECTRICAL CONNECTION


WARNING THIS APPLIANCE MUST BE EARTHED

If the socket outlets in your home are not of the 13 amp BS1363 type they will not accept the plug connected to this heater, therefore cut off the plug. When cut off this plug can constitute a shock hazard if inserted into a socket outlet. It must therefore be disposed of safely.

**IMPORTANT:** The wires in this mains lead are coloured in accordance with the following code:

BLUE:	NEUTRAL
BROWN:	LIVE
GREEN & YELLOW:	EARTH

As the colours of the wires in the mains lead may not correspond with the coloured markings in your plug, proceed as follows:

Connect the BROWN wire to the terminal marked 'L' or coloured RED. Connect the BLUE wire to the terminal marked 'N' or coloured BLACK. Note: 'L' or 'N' must not be connected to the EARTH terminal marked 'E' or  or coloured GREEN or GREEN AND YELLOW. If in doubt, consult your electrician.

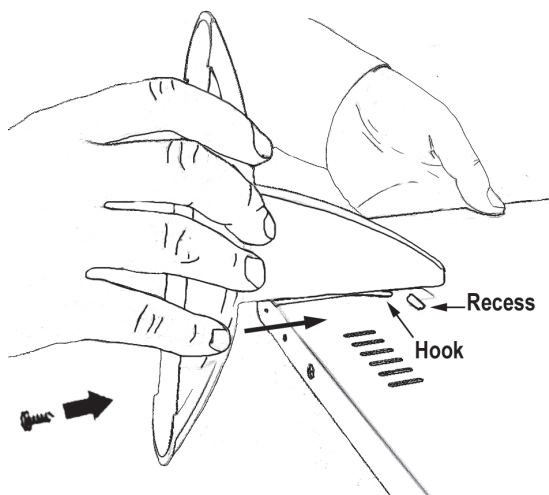
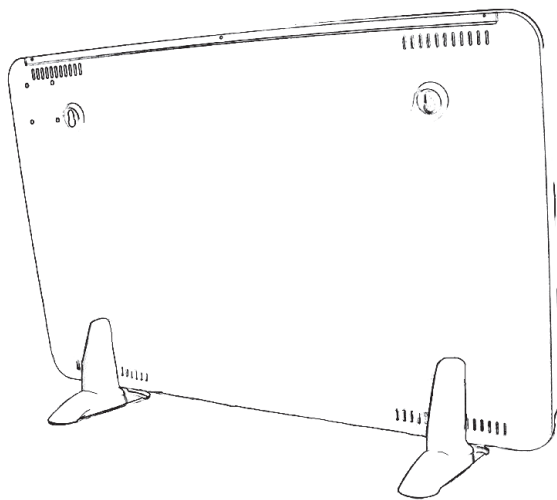
## Positioning the Heater

Select the position for the heater ensuring there is clearance from any furniture and fittings of at least 150mm above the heater, 50mm below (wall mounted), 25mm each side and 300mm from the front panel. Curtains must not be closer than 150mm from the top and/or sides of the heater.

### Free Standing Operation

NEVER USE THE HEATER FREE STANDING WITHOUT THE FEET FITTED (FEET ARE PACKED SEPARATELY IN CARTON).

1. Lay the heater on its front.
2. Remove the two star head screws from the base of the heater using an x-head screwdriver.
3. Place feet over base of heater, align holes and engage hook on foot into the recess on the back of the heater - (see Fig below)
4. Replace the screws but do not over tighten.



Please Note: Although this heater is manufactured to comply with the relevant safety standards, certain types of carpets could become discoloured by the temperatures under a portable heater. If you are concerned about this, we recommend that you contact the carpet manufacturer for guidance. Alternatively, either stand the heater on a suitable base to shield the carpet or wall mount it.

## Installation

The fixing kit should contain: 1 drilling template, 3 screws, 3 rawlplugs and 3 mounting brackets.

### Wall Mounted Operation - Timer Models only

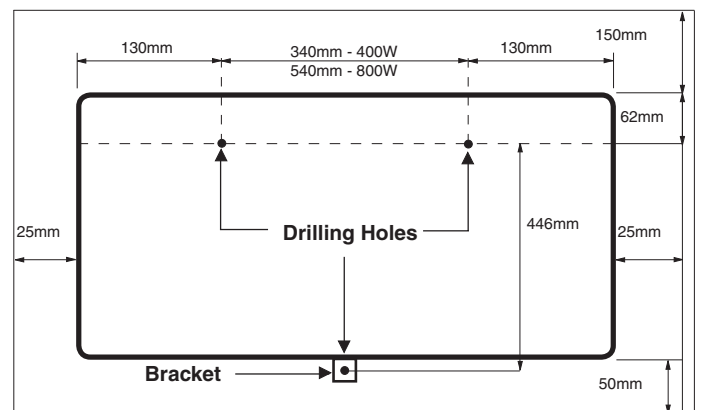
#### Suggested Fixings:

SOLID BRICK/BLOCK: No. 8 Rawlplug inserts, 6mm drill bit.

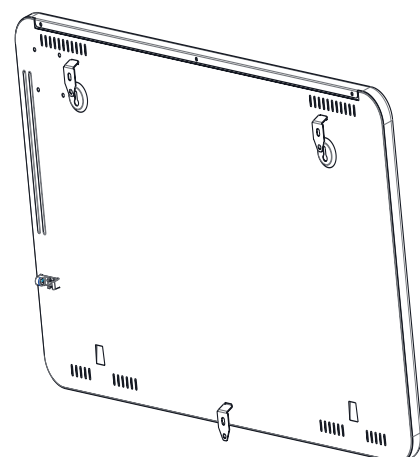
PLASTERBOARD: If possible locate studding and use No. 8 woodscrews directly into the wood, otherwise M5 rawlplug intersets are suitable.

**NOTE:** FOR OTHER WALL TYPES (e.g. Timber frame and hollow concrete) SEEK SPECIALIST ADVICE.

1. Select the position for the heater ensuring there is clearance from any furniture and fittings of at least 150mm above the heater, 50mm below, 25mm each side and 300mm from the front panel. Curtains mustnot be closer than 150mm from the top and/or sides of the heater.
2. Select a suitable position on a wall, near to a mains power socket, Fix the two top retaining brackets to the wall, using suitable fixings,the distance between the hole centres is correct, 340mm for 400W Models and 540mm for 800W models (see Fig below).



3. Drill the wall at the three marked positions and fit the wall plugs.
- Ensure template has been removed.
4. Locate the heater on the top brackets and allow it to hang in place. Fit the bottom bracket into the slot in the heater and then fix it to the wall.
- Test that the heater is now securely fixed to the wall.



## Models

Model Name	Description
DXLWP400TiE7	400W Panel heater with Electronic thermostat & Timer
DXLWP800TiE7	800W Panel heater with Electronic thermostat & Timer
DXLWP800TiE7B	800W Panel heater with Electronic thermostat & Timer-Black
DXLWP400TS	400W Panel heater with Electro mechanical thermostat
DXLWP800TS	800W Panel heater with Electro mechanical thermostat

**IMPORTANT** - OBJECTS OR CLOTHING MUST NOT BE PLACED ON THIS HEATER.

**NOTE** - This product is suitable for background heating only.

Before using the heater ensure that all warnings and instructions have been read carefully.

### Models with Thermostat Dial only- DXLWP400TS & DXLWP800TS

DXLWP400TS & DXLWP800TS models are fitted with an adjustable thermostat allowing the background temperature to be controlled by adjusting the setting accordingly. The thermostat has a minimum setting, which can be used as a guard against frost. Provided that the controls are set to a heating function i.e switched ON, the heater will come on when the surrounding temperature falls to approximately 5° C (41° F). Turn the thermostat knob to the highest position to warm the room to desired level. When the room temperature has reached the desired level, turn the thermostat knob back slowly until the thermostat just clicks off. The heater will then maintain the background temperature at the chosen level.

**NOTE** - Should your heater fail to come on when the thermostat is at a low setting, this may be due to the room temperature being higher than the thermostat setting.

### DXLWP400TS & DXLWP800TS - 1 Switch

The switch on the side of the heater turns the heater on. Note: This switch must be in the "on" position and illuminated before the heater will operate.

### Models with Timer- DXLWP400TiE7, DXLWP800TiE7 & DXLWP800TiE7B

#### DXLWP400TiE7 - 1 Switch

The switch on the side of the heater turns the heater on. Note: This switch must be in the "on" and illuminated position before the heater will operate.

### DXLWP800TiE7 - 2 Switches

Both switches illuminated indicates maximum output. Top switch only illuminated indicates 500W output on 800W model. Bottom switch only illuminated indicates 300W output on 800W model.

### DXLWP800TiE7B - 2 Switches

The two switches on the side of the heater control the amount of heat available as described below,

NOTE: At least one switch must be in the 'On' position before the heater will operate.

Position **O** - OFF

Position **I** - ON

Both switches in Position I indicates maximum output. Top switch only in Position I indicates 500W output on 800W model.

Bottom switch only in Position I indicates 300W output on 800W model

## Control Description - Timer Models

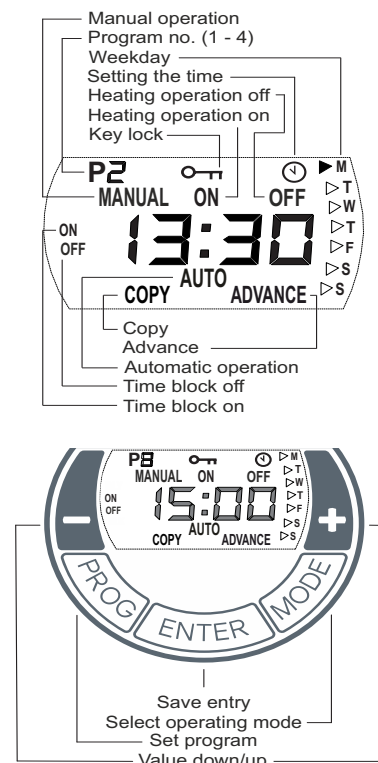
### Timer unit

The heating device is equipped with a configurable electronic control, consisting of a display, a red LED and five keys.

The control unit is located on the front panel of the heater.

The set functions and values are shown on the display.

The LED lights up red when heating ON.



## Key functions

### MODE

- Auto/Timer mode (week program)
- Manual operation ON
- Manual operation OFF

### ENTER

Save entry.

### PROG

Week program, set clock.

### Keys +/-

Used to navigate through the menu and to change the setting values e.g. desired temperature or time.

## Operating Modes

### Auto/Timer operation

Up to four heating programs (ON/OFF) can be set for each weekday. A room temperature can be specified for each heating program.

AUTO appears on the display.

### Manual operation

Manual specification of the room temperature. MANUAL ON or MANUAL OFF appears on the display.

### Advance

Switch to the next program item in automatic mode.

ADVANCE appears on the display.

### NOTE

In manual operation (MANUAL ON), the desired temperature can be specified with the +/- keys. In Auto/timer mode, the desired temperature setting is only carried out for the current running time program.

## Setting the Time and Week Day



The time and day are set with the following steps:

- Press and hold the PROG key for three seconds. The clock symbol appears. The hours display flashes.

- Use the + / - keys to set the hours. Press the ENTER key. The minutes display flashes.
- Use the + / - keys to set the minutes. Press the ENTER key. The weekday flashes.
- Use the + / - keys to set the weekday. Press the ENTER key. The CLOCK symbol disappears. Setting is complete

## Selecting the Desired Temperature



Pressing the MODE key switches the operating mode between MANUAL ON, MANUAL OFF and AUTO/TIMER.

### Manual ON

- Manual heating operation switched on.
- Display alternates between room temperature setting and the current time.
- Room temperature is set with +/-.

### Manual OFF

- Heating operation switched off.
- The current time is displayed.
- Room temperature cannot be set.

### NOTE

In MANUAL OFF operating mode, frost protection takes place. If the room temperature is 5° C or less, the heating device is switched on automatically.

### Auto/Timer Mode

- Auto/Timer mode (week program) activated.
  - Display alternates between room temperature setting and the current time.
  - Heating operation takes place in the specified time blocks for ON and OFF.
  - Room temperature is set with +/-.
- No times blocks are specified at the factory. These must be defined by the user as required.

### NOTE

In time block OFF, frost protection is set at the factory. If the room temperature is 5° C or less, the heating device is switched on automatically.

## Auto/Timer mode - Week Program

### NOTE

For extended operation, it is advisable to use the AUTO/TIMER operating mode to reduce the operating costs.

Four times blocks are available per day. These can be adapted individually for each weekday.

- Select AUTO operating mode by pressing the MODE button.
- Press the PROG key. WEEKDAY display flashes.

Order from top to bottom:

M = Monday,                      F = Friday,  
T = Tuesday,                    S = Saturday,  
W = Wednesday,                S = Sunday.  
T = Thursday,

- Use the +/- keys to set the weekday.



### Setting time block ON

- Press the ENTER key. P1 (program 1) and ON appears, The hours display flashes.
- Use the +/- keys to set the hours. Press the ENTER key. The minutes display flashes.
- Use +/- to set minutes (in 10 minute increments).

### Setting time block OFF

- Press the ENTER key. P1 (program 1) and OFF appears, The hours display flashes.
- Use the +/- keys to set the hours. Press the ENTER key, The minutes display flashes.
- Use the +/- keys to set the minutes.

### Temperature setting

- Press the ENTER key. Temperature setting appears.
- Use the +/- keys to set the temperature.
- Press the ENTER key. P2 (program 2) and ON appears, The hours display flashes. The programs P2, P3 and P4 can be set in the same way.

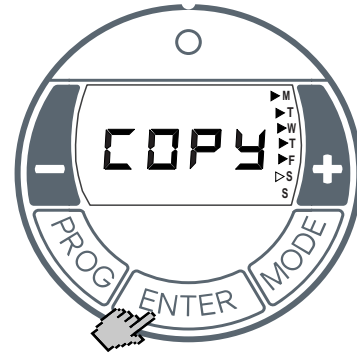
### NOTE

To exit the program early, press the PROG key

### Copying programs

To copy the newly set programs P1 - P4 to other days, proceed as follows.

- After carrying out the Temperature Setting, press and hold the ENTER key until COPY appears.



- Press + to select more weekdays. The selected weekdays are marked with a triangle displayed permanently. The days Monday to Friday are selected on the screen at the top
- Deselect weekdays with the - key. Press the ENTER key. The settings are saved. COPY flashes three times. Setting is complete.

### Frost protection

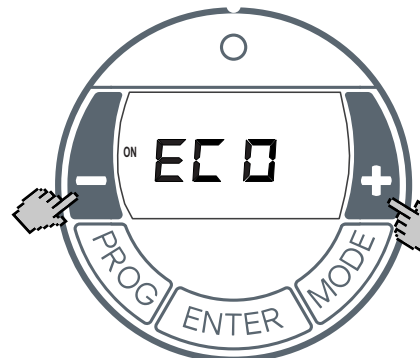
In MANUAL OFF operating mode and Auto operating mode (time block OFF), frost protection takes place. If the room temperature is 5° C or less, the heating device is switched on automatically.

### Adaptive start up

While the product is in timer mode, this function prewarms the room so it is not as cold at the start of the switch on time.

### Example:

In the timer menu, a set room temperature of 22° C is specified. The current room temperature is 17° C. The heating device switches on early so that the specified room temperature of 22° C is reached by 07:00.



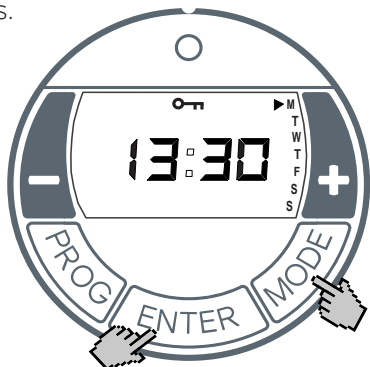
- Use the MODE key to select the operating mode AUTO (Timer).
- Press and hold the + key and the - key for three seconds.
- ECO appears.



- Activate/deactivate the function with the + / - keys:  
ON = Adaptive startup activated,  
OFF = Adaptive startup deactivated.
- Press the ENTER key. Setting is saved.

### Key lock

This function can be used to lock the operating elements.



- Press and hold the ENTER key and the MODE key for one second.
- The LOCKED key symbol appears in the display.
- To unlock, press and hold the ENTER key and the MODE at the same time again.

### NOTE

No settings can be made if the key lock is activated.

### Advance

In Auto(timer) mode, the next time block can be selected early. The set time block then switches from OFF to ON or vice versa.

- Press and hold the + key for three seconds. ADVANCE flashes.
- Operating display on the left side of the screen switches from OFF to ON or vice versa.

### Activating / deactivating the ADVANCE function

- Press the - key. ADVANCE disappears.



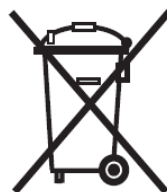
## Cleaning

**WARNING** - ALWAYS DISCONNECT FROM THE POWER SUPPLY BEFORE CLEANING THE HEATER.

Do not use detergents, abrasive cleaning powder or polish of any kind on the body of the heater.

Allow the heater to cool, then wipe with a dry cloth to remove dust and a damp cloth (not wet) to clean off stains. Be careful not to allow moisture into the heater.

### Recycling



For electrical products sold within the European Community, at the end of the electrical product's useful life, it should not be disposed of with household waste. Please recycle where facilities exist. Check with your Local Authority or retailer for recycling advice.

Model Identifier(s):		DXLWP400TS	DXLWP800TS	DXLWP400TIE7	DXLWP800TIE7	DXLWP800TIE7B
<b>Heat output</b>						
Nominal heat output	P <sub>nom</sub>	400watts	800watts	400watts	800watts	800watts
Minimum heat output (indicative)	P <sub>min</sub>	400watts	800watts	400watts	300watts	300watts
Maximum continuous heat output	P <sub>max,c</sub>	400watts	800watts	400watts	800watts	800watts
<b>Auxiliary electricity Consumption</b>						
At nominal heat output	e <sub>lmax</sub>	0.0kw	0.0kw	0.0kw	0.0kw	0.0kw
At minimum heat output	e <sub>lmin</sub>	0.0kw	0.0kw	0.0kw	0.0kw	0.0kw
In standby mode	e <sub>lSB</sub>	0.0005kw	0.0005kw	0.0005kw	0.0005kw	0.0005kw
<b>Type of heat output/ room temperature control</b>						
With electronic room temperature control		No	No	Yes	Yes	Yes
With mechanical thermostat room temperature control		Yes	Yes	No	No	No
Electronic room temperature control plus week timer		No	No	Yes	Yes	Yes
With adaptive start control		No	No	Yes	Yes	Yes
<b>Contact details</b>						
GDHV, Millbrook House, Grange Drive, Hedge End, Southampton, SO30 2DF						

# Warranty

## What does a Dimplex Warranty cover?

Dimplex products deliver reliable service for normal, household use in domestic settings. All Dimplex products are individually tested before leaving the factory.

If you are a consumer and you experience a problem with your Dimplex product, which is found to be defective due to faulty materials or workmanship within the Warranty Period, this Dimplex Warranty will cover repair or - at the discretion of Dimplex - replacement with a functionally equivalent Dimplex product.

Your product is under warranty for 1 year from the date of purchase or the date of delivery of the product, if later. The 1 year warranty is extended for an additional 2 years when you register the product with Dimplex, within 28 days of purchase. If you do not register the product with Dimplex within 28 days, your product will remain warranted for 1 year only. To validate your extended warranty register with us online at: <http://register.dimplex.co.uk>. **N.B.** Each qualifying product needs to be registered with Dimplex individually. Please note that the extended warranty is only available in the UK and Ireland.

The Dimplex Warranty is conditional upon you providing the original purchase receipt as proof of purchase. Please therefore retain your receipt as proof of purchase.

If you do experience a problem with your Dimplex product please call the Helpline on +44 [0]344 879 3588 or visit <https://www.dimplex.co.uk/support>. For ROI please email [serviceireland@glendimplex.com](mailto:serviceireland@glendimplex.com) or call +353(0)1 842 4833. We will need details of your Dimplex product and a description of the fault which has occurred. Once we receive your information and proof of purchase we will contact you to make the necessary arrangements. If your Dimplex product is not covered by this Dimplex Warranty there may be a charge to repair your product. However, we will contact you for agreement to any charges before any chargeable service is carried out.

## What is not covered by a Dimplex Warranty?

The Dimplex Warranty does not cover any of the following:

Any fault or damage to your Dimplex product due to faulty materials or workmanship occurring outside the Warranty Period. Normal wear and tear including parts that might wear out over time or consumables, such as filters.

Any fault or damage occurring to any pre-owned Dimplex product or to any other equipment or property.

Accidental damage to your Dimplex product or damage to your Dimplex product from external sources (for example, transit, weather, electrical outages or power surges).

Fault or damage to your Dimplex product which is:

- Not due to faulty materials or workmanship or which is due to circumstances outside Dimplex's control.
- Caused by use of your Dimplex product for anything other than normal domestic household purposes in the country where it was purchased.
- Caused by any misuse, abuse or negligent use of the Dimplex product, including but not limited to any failure to use it in accordance with the Operating Instructions supplied with the product.
- Caused by any failure to assemble, install clean and maintain your Dimplex product in accordance with the Operating Instructions supplied with the product unless this was carried out by Dimplex or its authorised dealers.
- Caused by repairs or alterations to your Dimplex product not carried out by Dimplex service personnel or its authorised dealer(s).
- Caused by use of any consumables or spare parts for your Dimplex product which are not Dimplex - specified.

## Terms and Conditions

The Dimplex Warranty is valid for 1 calendar year, plus 2 if registered, from the date of purchase of your Dimplex product from a recognised retailer in the country of purchase and use, or the date of delivery of the product if later, always provided the original receipt has been retained and is produced as proof of purchase.

You must provide to Dimplex or its authorised agents on request the original receipt as proof of purchase and - if required by Dimplex - proof of delivery. If you are unable to provide this documentation, you will be required to pay for any repair work required. Any repair work under the Dimplex Warranty will be carried out by Dimplex or its authorised dealer(s) and any parts that are replaced will become the property of Dimplex. Any repairs performed under the Dimplex Warranty will not extend the Warranty Period.

Any replacement of your Dimplex product by Dimplex during the Warranty Period will start the 3 year Warranty Period afresh from the date of delivery of the replacement Dimplex product to you. (\*Please keep original online warranty registration email and sales receipt for your original purchase as proof of the additional 2 years, in case of the unlikely event you experience an issue).

The Dimplex Warranty does not entitle you to recovery of any indirect or consequential loss or damage including but not limited to loss or damage to any other property.

The Dimplex Warranty is in addition to your statutory rights as a consumer and your statutory rights are not affected by this Dimplex Warranty.

## Contact Dimplex

A brand of the GDC Group Limited, trading as Glen Dimplex Heating & Ventilation

If you have any questions about what the Dimplex Warranty covers and does not cover or how to claim under the Dimplex Warranty, please contact us: GDHV, Grange Drive, Hedge End, Southampton SO30 2DF

Telephone: 0344 879 3588

Email: [customer.services@glendimplex.com](mailto:customer.services@glendimplex.com)

Visit: [www.dimplex.co.uk](http://www.dimplex.co.uk)