

Dimplex Convector Heater

Models : 403BTB



INDCUK40BT Issue 1

Intertek

Dimensions (Millimetres)

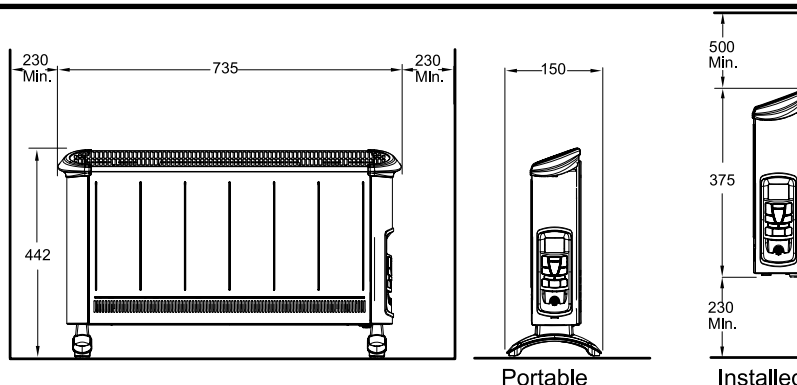


Fig. 1


IMPORTANT : THESE INSTRUCTIONS SHOULD BE READ CAREFULLY AND RETAINED FOR FUTURE REFERENCE

Important Safety Advice

WARNING: This appliance must not be used in a bathroom.

WARNING: Do not use this heater in the immediate surroundings of a bath, a shower or a swimming pool.

WARNING: This heater must not be located immediately below a fixed socket outlet.

 The heater carries a warning symbol to alert the user to the risk of fire that exists if the heater is accidentally covered.

WARNING: In order to avoid a hazard due to inadvertent resetting of the thermal cut-out, this appliance must not be supplied through an external switching device, such as a timer, or connected to a circuit that is regularly switched on and off by the utility.

This appliance can be used by children aged from 8 years and above and persons with reduced physical, sensory or mental capabilities or lack of experience or knowledge if they have been given supervision or instruction concerning the use of the appliance in a safe way and understand the hazards involved. Children shall not play with the appliance. Cleaning and user maintenance shall not be made by children without supervision.

Children of less than 3 years should be kept away unless continuously supervised. Children aged from 3 years and less than 8 years shall only switch on/off the appliance provided that it has been placed or installed in its intended normal operating position and they have been given supervision or instruction concerning the use of the appliance in a safe way and understand the hazards involved. Children aged from 3 years and less than 8 years shall not plug in, regulate and clean the appliance or perform user maintenance.

CAUTION: Some parts of this product can become very hot and cause burns. Particular

attention has to be given where children and vulnerable people are present.

If the mains lead is damaged, it must be replaced by the manufacturer or its service agent or a similarly qualified person in order to avoid a hazard.

Electrical connection

WARNING – THIS APPLIANCE MUST BE EARTHED

The use of an extension lead or multi-plug adaptor is not advised when connecting this product to the mains. Connection through these devices could lead to a risk of overloading, overheating and even fire at the extension lead or adaptor due to inadequate connection quality.

This heater must be used on an ~ supply only and the voltage marked on the heater must correspond to the supply voltage. This heater is fitted with a rewirable plug incorporating a 13 amp fuse. In the event of replacing the fuse in the plug supplied, a 13 amp fuse approved by ASTA to BS 1362 must be used. If any other type of plug is used, a 15 amp fuse must be fitted in the plug, the adaptor, or at the distribution board.

IMPORTANT : If the plug is not suitable for your socket, the 13 amp plug should be removed. Before wiring the appropriate plug, please note that the wires in this mains lead are coloured in accordance with the following code :

| | |
|--------------------------|----------------|
| GREEN AND YELLOW: | EARTH |
| BLUE : | NEUTRAL |
| BROWN : | LIVE |

Connect the **GREEN AND YELLOW** wire to the terminal marked 'E' or by the earth symbol \oplus , or coloured **GREEN** or **GREEN AND YELLOW**.
Connect the **BROWN** wire to the terminal marked 'L' or coloured **RED**.
Connect the **BLUE** wire to the terminal marked 'N' or coloured **BLACK**.

Using the heater

WARNING: DO NOT USE THE HEATER UNTIL THE FEET OR WALL BRACKETS ARE FITTED CORRECTLY.

The product can be used as an installed or portable unit. Once the desired application has been decided upon and the requirements below have been met the product is ready to be used. Simply plug in and switch on at the wall socket.

Please note – the element has been coated with a protective film which will burn off during the first few minutes of use and may cause a small amount of fuming. This is quite normal – the fumes are non-toxic and will quickly disappear.

We recommend that you open a window to ventilate the room when using the heater for the first time.

Positioning the heater

Always ensure that the heater is stood on a firm, level base near to, but not directly beneath, a suitable mains supply socket.

Ensure that curtains and furniture are not positioned close to the chosen position, as this would create a potential fire hazard.

We recommend that the heater should be wall-mounted in rooms where children may be left unattended, see 'Important Safety Advice'.

Portable use

WARNING: THE HEATER SHOULD NEVER BE USED AS A PORTABLE APPLIANCE WITHOUT THE FEET SECURELY FITTED.

Lay the heater on its back and remove the wall mounting brackets - see **Wall mounting**. Locate and remove the foot fixing screw - see **Fig. 2(a)**. Clip the foot in place and secure using the foot fixing screw.

NOTE – The wall mounting brackets must be removed before the foot can be fitted.

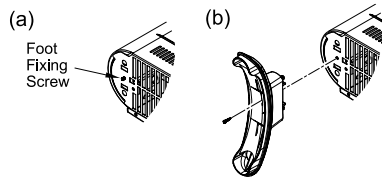


Fig. 2

Wall Mounting (Installed)

Three identical wall mounting brackets are secured to the base of the heater with a fixing screw. To wall mount appliance, first remove the brackets as follows, lay the heater on its back and follow the sequence shown - see **Fig. 3**. Identify and remove the fixing screw securing the brackets located beside mains cable as shown in (a), pull out brackets and rotate them to disengage them from the slot and withdraw the brackets from the slot (b).

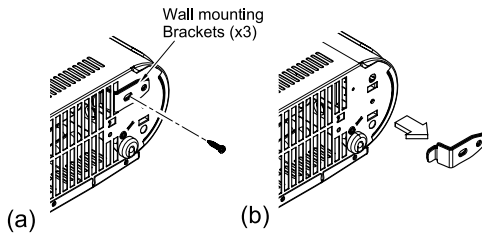


Fig. 3

Select a suitable position, near to a mains power socket whilst ensuring the minimum mounting clearances are maintained - see **Fig. 1**. Fix the two top retaining brackets to the wall, using suitable fixings – see **Fig. 4**.

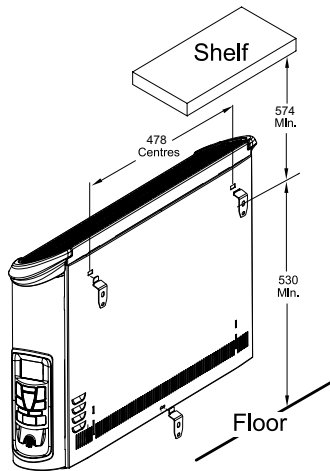


Fig. 4

Locate the heater on the top brackets and allow it to hang in place. Fit the bottom bracket into the slot in the heater and then fix it to the wall. Test that the heater is now securely fixed to the wall.

Controls

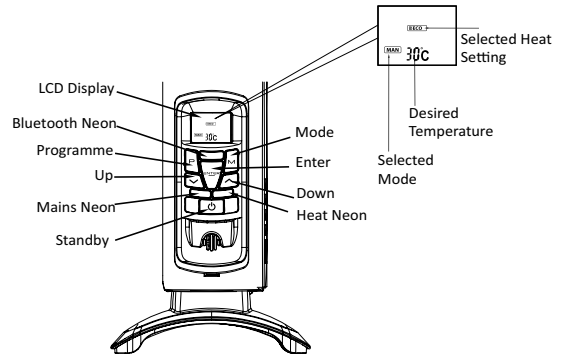


Fig. 5

NOTE: When using the appliance or setting appliance controls always ensure that the heater is stood on a firm level base. Do not tilt the appliance at any time.

Operational modes

The electronic control has four control modes: **AUTO**, **MANUAL**, **BOOST** and **STANDBY** mode.

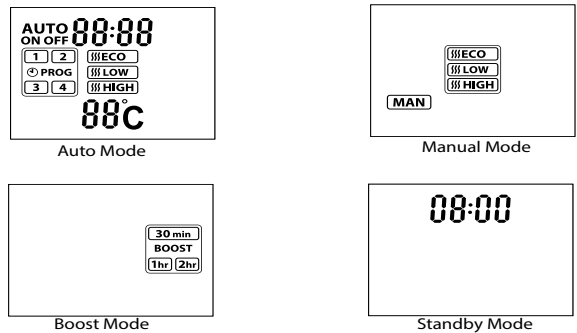


Fig. 6

In both **MANUAL** and **AUTO** mode there are three heat settings options:

'Intelligent' Eco Mode - This is the initial default setting, the convector will automatically start up in this setting once power is applied. The convector will automatically regulate the room temperature accordingly. In this mode the convector operates at full power, however the output of the convector is automatically reduced and regulated as the room temperature approaches the desired level. This mode optimises energy use by calculating the most efficient and effective way to achieve the desired temperature setting. The desired room temperature can be adjusted at any time during operation by pressing the appropriate key.

Low Heat - In this option, the appliance will operate at a low heat setting, the appliance will automatically cycle at this setting to maintain the room temperature setting.

High Heat - In this option, the appliance will operate at a high heat setting, the appliance will automatically cycle at this setting to maintain the room temperature setting.

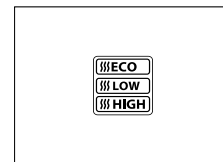


Fig. 7

Press the Mode key, 'M', to toggle through the modes and the **ENTER** key to confirm the mode selection. Note: when selecting the mode if the **ENTER** key is not pressed, after 5 seconds the heater will activate the mode shown on the LCD display.

Initial Operation

When the heater is initially connected to the mains the heater will power up in **MANUAL** mode with a set temperature of 30°C. The **Mains** and **Heat** indication neon will be lit and the LCD display will be as per **Fig.8**. For subsequent operations the unit will power up in its previous state, i.e. if it was in the boost mode when the unit was plugged out when power is reinstated it will resume in boost mode.

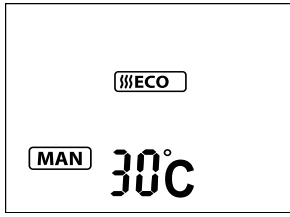


Fig. 8

Setting the Time

To set the time press and hold 'P' for two seconds, the time digits will begin flashing (**Fig. 9**). Press the '▲' or '▼' buttons to set the time and press **ENTER** to confirm. The heater will revert to the previous operational mode.

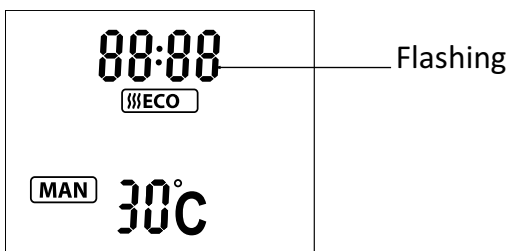


Fig. 9

Standby Mode

With the heater **ON**, if the **⏻** button is pressed, the heater will go into standby mode; the heater switches off, the LCD will display the current set time, only the mains neon remains illuminated. On pressing the **⏻** button again the heater will come on in Manual mode and with a set point setting of 25 °C.

Manual Operation

Repeatedly press the 'M' button until the manual mode is visible on the LCD and confirm the mode selection by pressing **ENTER**. Use the arrow keys to select the desired heat setting (see **Operational modes** for heat setting details) and confirm the selection by pressing the **ENTER** key. The desired temperature can be adjusted at any point during the Manual mode operation, see **Setting the Desired temperature**.

Auto mode Operation

Repeatedly press the 'M' button until the Auto mode is visible on the LCD (see **Fig.10**) and confirm the mode selection by pressing **ENTER**. The heater will operate as per the pre-programmed time and temperature profile (see - **Setting the Timer Profile**). Note: if no timer profile has been set it will not be possible to select 'Auto' mode, it is necessary to set up a time program before Auto mode can be selected.

During Auto mode operation the LCD display will show the current heat status, the active programme segment, the time for the next status change, the heat setting and the set temperature, see **Fig.11** for details.

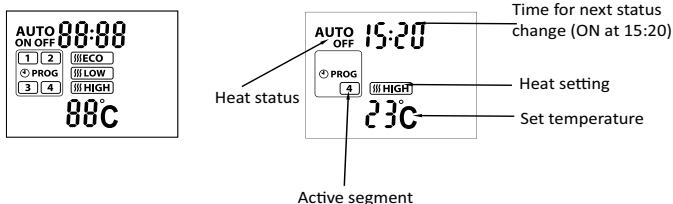


Fig. 10

Fig. 11

Boost mode Operation

Repeatedly press the 'M' button until the Boost mode is visible on the LCD (see **Fig.12**) and confirm the mode selection by pressing **ENTER**. Once the boost mode is activated it will be necessary select the boost period, there are three periods available to choose from, 30 minutes, 1 hour and 2 hours. Use the arrow keys to select the desired boost period and confirm the selection using the **ENTER** key. The default heat setting is ECO mode and the set temperature is 25°C. The set temperature can be adjusted if desired, see **Setting the Desired temperature**. When the boost mode is active the LCD display will show the boost mode, timer period selected and the desired set temperature. The time display will toggle between the current time and time remaining for the selected boost period.

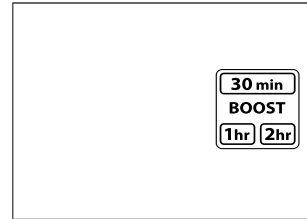


Fig. 12

Frost protection mode

The appliance has a frost protection mode. This setting is useful in areas such as garages to assist in the prevention of frost damage. In Manual mode, if the thermostat is set to its minimum setting '5°C', the heater will cycle ON and OFF to maintain a temperature of approximately 5°C and help protect against frosty conditions. The frost protection symbol ❄ will be displayed on the LCD display when frost protection mode is activated.

Indicator Neons

Mains On Neon: The mains neon, (see **Fig. 5**), remains illuminated when the power is supplied to the product. Note: This does not indicate whether the heating elements are on.

Heat Neon: Heat neon remains on when the heating element is active. Once the desired temperature is reached and the element turns off, the heat neon will indicate this by remaining off.

Bluetooth Neon: The Bluetooth neon will remain illuminated while successfully paired to another device.

Setting the Desired Temperature

The desired temperature can be set using the '▲' or '▼' keys. The temperature can be set from 5°C to 30°C and this will be shown on the display. When the temperature is reached the heater will automatically switch OFF. If the ambient temperature drops the heater will come on again automatically.

Setting the Timer Programmes

There are four program segments available, **P1**, **P2**, **P3** and **P4**. For each segment it is possible to set a desired 'On' time, 'Off' time, Heat mode and set temperature. It is not necessary to set all four segments if not required. The default setting is for all segments to be Off. To turn off a pre-programmed segment it is necessary to set both the 'On' time and the 'Off' time to 00:00. In order to set up a time/temperature profile the following steps must be completed:

1. To activate the programming screen press the 'P' key. The program settings screen for **P1** will be displayed and the time will be flashing. This flashing time is the 'On' time for **P1** and can be adjusted using arrow keys. Once the desired 'On' time has been set press the **ENTER** key to confirm the time.
2. Select a heat setting using the arrow keys and confirm the selection using the **ENTER** key.
3. Set the desired temperature using the arrow keys and confirm the setting using the **ENTER** key.
4. The 'Off' time must then be set by using the arrow keys, it is necessary to then press the **ENTER** key to confirm the 'Off' time setting.
5. The setup screen will then revert to the **P1** 'On' time set up screen, at this point it is possible move to the **P2** segment by pressing the 'P' key.
6. If required **P2**, **P3** and **P4** segment can be set up using steps 1-4 above.
7. If it is not required to set up **P2**, **P3** and **P4** segment at this stage, continue to press the 'P' key until the heater reverts to the previous operational mode. Alternatively if no keys are pressed the programming mode will time out and revert to the previous operational mode.

Remote Bluetooth Operation

The appliance can be controlled remotely using a smartphone or similar device. To facilitate this remote operation it is necessary to first download the Dimplex **Remo** app. The app is available on both android and IOS devices and is available free from the Apple or Android App store. The App is compatible with Android version 4.3 and above and IOS version 5 and above.

Once the App has been downloaded it is necessary to pair the appliance with the smartphone to complete the remote setup. Please follow the steps shown below:

1. Launch the Dimplex **Remo** app on the smartphone or similar device.
2. To initiate pairing mode on the appliance press and hold the 'M' button for two seconds. The LCD screen will go blank with the exception of the Bluetooth logo flashing in the bottom right hand corner, See **Fig.13**. This indicates that the device is advertising to be paired with the **Remo** app.
3. On the smart phone the appliance should now be visible on the pairing screen, this will be a unique 6 digit code but will always start with EC, for example 'ECBC17'. Select this device and press connect to initiate pairing.
4. Once the pairing process is complete the app can be used to control the appliance.
5. Once paired successfully the Bluetooth logo will stop flashing and the Bluetooth neon will be illuminated.

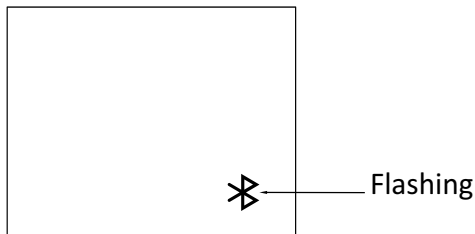


Fig. 13

Safety – overheat protection

For your safety, this appliance is fitted with a thermal cut-out. In the event that the product overheats, the cut-out switches the heater off automatically. To bring the heater back into operation, remove the cause of the overheating, then unplug or turn off the electrical supply to the heater for a few minutes. When the heater has cooled sufficiently, re-connect and switch on the heater.

Important Notes

Although this heater is manufactured to comply with the relevant safety standards, certain types of carpets could become discoloured by the temperatures under a portable heater. If you are concerned about this, we recommend that you contact the carpet manufacturer for guidance. Alternatively, either stand the heater on a suitable base to shield the carpet or wall-mount it – call our Helpline for further advice.

You may notice some parts of the element appearing to be hotter from time to time because of the variable airflow through the heater. This does not cause a safety hazard.

The heat outlet grille may become discoloured with use – this is caused by airborne pollution and is not a fault.

Recycling



For electrical products sold within the European Community.

At the end of the electrical products useful life it should not be disposed of with household waste.

Please recycle where facilities exist.

Check with your Local Authority or retailer for recycling advice in your country.

Cleaning

WARNING – ALWAYS DISCONNECT FROM THE POWER SUPPLY BEFORE CLEANING THE HEATER.

Before commencing cleaning, switch off the heater and allow it to cool. Disconnect the electricity supply to the appliance.

The outside can be cleaned by wiping it over with a soft damp cloth and then dried. Do not use abrasive cleaning powders or furniture polish, as this can damage the surface finish.

To release the heater from the wall bracket for cleaning or redecoration, depress latch on each bracket and hinge forward.

After Sales Service

Your product is guaranteed for three years from the date of purchase. After sales information or assistance with this product can be found on our website www.dimplex.co.uk/support.

Your rights under this guarantee are additional to your statutory rights, which in turn are not affected by this guarantee.

Please do not return a faulty product to us as this may result in loss or damage and delay in providing you with a satisfactory service.

If following these steps your product still does not operate you should return it to your point of purchase.

Please retain your receipt as proof of purchase.