

### Dimplex Convector Heaters

Models : 403TS, 403TSF, 403TSTi & 403TSFTie



08/52667/0 Issue 0

Intertek

#### Dimensions (Millimetres)

#### Models Specification

| Models    | Specification                                     |
|-----------|---|
| 403TS     | 3.0kw Thermostat & 2 heat settings & Neon.        |
| 403TSF    | 3.0kw Thermostat, 2 heat settings, Turbo & Neon.  |
| 403TSTi   | 3.0kw Thermostat, 2 heat settings, Timer & Neon.  |
| 403TSFTie | 3.0kw Thermostat, 2 heat settings, Timer & Turbo. |

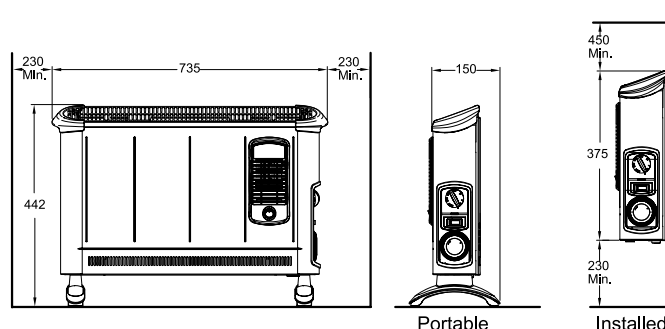



Fig. 1

**IMPORTANT : THESE INSTRUCTIONS SHOULD BE READ CAREFULLY AND RETAINED FOR FUTURE REFERENCE**

#### Important Safety Advice

**WARNING:** Do not use this heater in the immediate surroundings of a bath, a shower or a swimming pool.

**WARNING:** This heater must not be located immediately below a fixed socket outlet.

 The heater carries a warning symbol to alert the user to the risk of fire that exists if the heater is accidentally covered.

**WARNING:** In order to avoid a hazard due to inadvertent resetting of the thermal cut-out, this appliance must not be supplied through an external switching device, such as a timer, or connected to a circuit that is regularly switched on and off by the utility.

This appliance can be used by children aged from 8 years and above and persons with reduced physical, sensory or mental capabilities or lack of experience or knowledge if they have been given supervision or instruction concerning the use of the appliance in a safe way and understand the hazards involved. Children shall not play with the appliance. Cleaning and user maintenance shall not be made by children without supervision.

Children of less than 3 years should be kept away unless continuously supervised. Children aged from 3 years and less than 8 years shall only switch on/off the appliance provided that it has been placed or installed in its intended normal operating position and they have been given supervision or instruction concerning the use of the appliance in a safe way and understand the hazards involved. Children aged from 3 years and less than 8 years shall not plug in, regulate and clean the appliance or perform user maintenance.

**CAUTION:** Some parts of this product can become very hot and cause burns. Particular attention has to be given where children and vulnerable people are present.

If the mains lead is damaged, it must be replaced by the manufacturer or its service agent or a similarly qualified person in order to avoid a hazard.

#### Electrical connection

##### WARNING – THIS APPLIANCE MUST BE EARTHED

The use of an extension lead or multi-plug adaptor is not advised when connecting this product to the mains. Connection through these devices could lead to a risk of overloading, overheating and even fire at the extension lead or adaptor due to inadequate connection quality.

This heater must be used on an ~ supply only and the voltage marked on the heater must correspond to the supply voltage. This heater is fitted with a rewirable plug incorporating a 13 amp fuse. In the event of replacing the fuse in the plug supplied, a 13 amp fuse approved by ASTA to BS 1362 must be used. If any other type of plug is used, a 15 amp fuse must be fitted in the plug, the adaptor, or at the distribution board.

**IMPORTANT :** If the plug is not suitable for your socket, the 13 amp plug should be removed. Before wiring the appropriate plug, please note that the wires in this mains lead are coloured in accordance with the following code :

|                          |                |
|--------------------------|----------------|
| <b>GREEN AND YELLOW:</b> | <b>EARTH</b>   |
| <b>BLUE :</b>            | <b>NEUTRAL</b> |
| <b>BROWN :</b>           | <b>LIVE</b>    |

Connect the **GREEN AND YELLOW** wire to the terminal marked 'E' or by the earth symbol , or coloured **GREEN** or **GREEN AND YELLOW**. Connect the **BROWN** wire to the terminal marked 'L' or coloured **RED**. Connect the **BLUE** wire to the terminal marked 'N' or coloured **BLACK**.

#### Using the heater

**WARNING: DO NOT USE THE HEATER UNTIL THE FEET OR WALL BRACKETS ARE FITTED CORRECTLY.**

The product can be used as an installed or portable unit. Once the desired application has been decided upon and the requirements above have been met the product is ready to be used. Simply plug in and switch on at the wall socket.

There are various control options available with various combinations comprising of thermostat, switched, timer & indicating neons.

Please note – the element has been coated with a protective film which will burn off during the first few minutes of use and may cause a small amount of fuming. This is quite normal – the fumes are non-toxic and will quickly disappear.

We recommend that you open a window to ventilate the room when using the heater for the first time.

#### Positioning the heater

Always ensure that the heater is stood on a firm, level base near to, but not directly beneath, a suitable mains supply socket.

Ensure that curtains and furniture are not positioned close to the chosen position, as this would create a potential fire hazard.

We recommend that the heater should be wall-mounted in rooms where children may be left unattended, see 'Important Safety Advice'.

## Portable use

**WARNING: THE HEATER SHOULD NEVER BE USED AS A PORTABLE APPLIANCE WITHOUT THE FEET SECURELY FITTED.**

Lay the heater on its back and remove the wall mounting brackets - see **Wall mounting**. Locate and remove the foot fixing screw - see **Fig. 2(a)**. Clip the foot in place and secure using the foot fixing screw.

NOTE – The wall mounting brackets must be removed before the foot can be fitted.

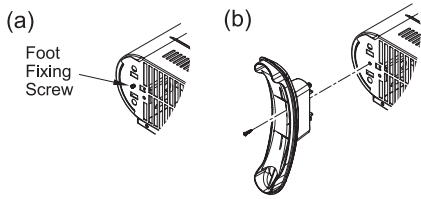


Fig. 2

## Wall Mounting (Installed)

Three identical wall mounting brackets are secured to the base of the heater with a fixing screw. To wall mount appliance, first remove the brackets as follows, lay the heater on its back and follow the sequence shown - see **Fig. 3**. Identify and remove the fixing screw securing the brackets located beside mains cable as shown in (a), pull out brackets and rotate them to disengage them from the slot and withdraw the brackets from the slot (b).

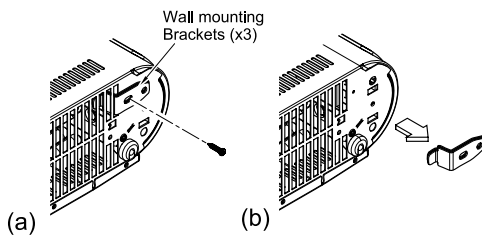


Fig. 3

Select a suitable position, near to a mains power socket whilst ensuring the minimum mounting clearances are maintained - see **Fig. 1**. Fix the two top retaining brackets to the wall, using suitable fixings – see **Fig. 4**.

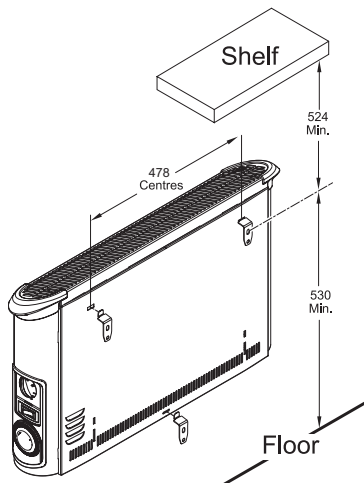


Fig. 4

Locate the heater on the top brackets and allow it to hang in place. Fit the bottom bracket into the slot in the heater and then fix it to the wall. Test that the heater is now securely fixed to the wall.

## Controls

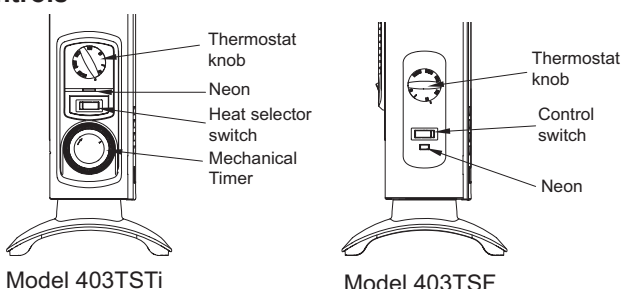


Fig. 5

## Thermostat (all models)

The thermostat controls the heat output according to the room temperature. This ensures that the heater will not produce heat unnecessarily when the room is warm.

To set the temperature you require, gradually turn the thermostat knob clockwise until the desired temperature is reached. Allow some time between increments for the room temperature to stabilise.

Alternatively to heat a cold room quickly, turn the thermostat knob to the Max position. When the room has reached the desired temperature, turn the thermostat knob anti-clockwise until the thermostat clicks off. The heater will then automatically maintain this room temperature.

The thermostat also has a frost protection setting marked '❄'. This setting is useful in areas such as garages to prevent frost damage. If the thermostat is set to its minimum setting '❄', the heater will cycle ON and OFF to maintain a temperature of approximately 5°C to help protect against frosty conditions.

## Switches (selected models)

Some models are supplied with selector switches. There are two switch types, one is an on/off switch and the other is a heat selection switch. Depending on model either one or both switch may be included. The switch operation is as follows.

|                |           |   |           |
|----------------|-----------|---|-----------|
| On/ Off:       | <b>O</b>  | - | Off       |
|                | <b>I</b>  | - | On        |
| Heat selection | <b>I</b>  | - | Low heat  |
|                | <b>II</b> | - | High heat |

## 403TS Operation

This model contains an On/Off switch and a heat selection switch and operates as follows.

When **O/I** switch is in position **O** the product is off regardless of any other setting. When **O/I** switch is in position **I** and the **I/II** switch is in the **I** position there is a 2kw output from the product. When **O/I** switch is in position **I** and the **I/II** switch is in the **II** position there is a 3kW output from the product. The indicator neon is always on when the product is connected to the mains supply.

## 403TSTi Operation

This model contains a heat selection switch and an electro-mechanical timer and operates as follows.

When the timer is switched to **I** and the **I/II** switch is in position **I** there is a 2kW output from the product. When the timer is switched to **I** and the **I/II** switch is in position **II** there is a 3kW output from the product. When the timer is in the '⌚' position and the **I/II** switch is in position **I** there is a 2kW output from the product when the timer is set on. When the timer is in the '⌚' position and the **I/II** switch is in position **II** there is a 3kW output from the product when the timer is set on. The indicator neon is always on when the product is connected to the mains supply.

## Mechanical Timer (403TSTi)

Note: The timer clock will only operate when the product is connected to the mains supply

### Operation modes

There are two operating modes on the timer, Manual operation and Auto operation. The operation mode is set using the slide switch on the timer - see **fig 6**.

#### Manual operation (Position - I)

This setting allows power to the product uninterrupted by the timer, however other product controls will continue to function as normal.

#### Auto operation (Position - ⌚)

This setting allows the heater to be controlled by the timer. The product will be switched on and off depending on the pre-set timer program.

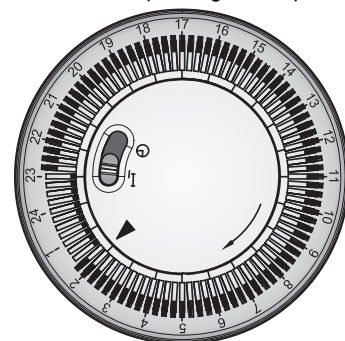


Fig. 6

### Setting the time of day

To set the time of day, rotate the timer dial clockwise (indicated by the arrow) until the correct time of day is opposite the reference mark ▶ - see **Fig. 6**. The 24-hour clock is used ; e.g. 4 pm is '16' (16:00hrs).

## Setting the 'Auto' ON and OFF times

### To set the timer :

1. Using your finger tip or the tip of a pencil, push in as many segments as necessary around the dial, according to the times you don't require heat – see Fig. 7. Each segment pushed in switches the heater OFF for that part of the hour. All other segments will be ON. For example, Fig. 7 shows the timer set to switch the heater OFF between 11pm and 1.45am.
2. You can select as many ON periods as you like, within the 24-hour day. The settings will repeat every day until changed.
3. To change ON and OFF times, simply push in any 'ON' segments you wish to cancel and pull out new 'ON' segments as required.

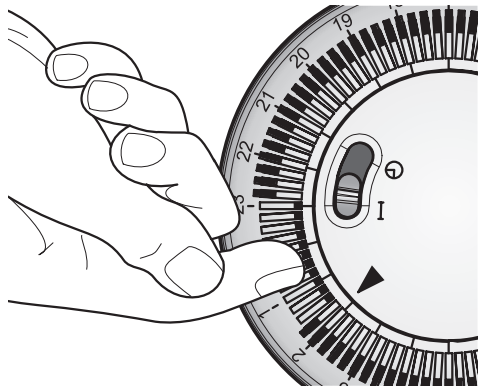
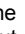


Fig. 7

### Switching to auto

Ensure the thermostat and/or the heat selector are set for the desired heat output.

Check that the clock shows the correct time of day. Set the mode slide switch to , the heater will switch ON and OFF according to the timer settings (see Fig. 7).

### Important notes

Remember to observe all safety warnings when operating the heater on auto setting unattended or attended.

If the mains supply to the heater is interrupted, the timer clock will stop until power is restored; reset the time of day to ensure correct ON and OFF times.

## 403TSF Operation

This model contains an On/Off switch and operates as follows.

When **O/I** switch is in position **O** the product is off regardless of any other setting. When **O/I** switch is in position **I** and the turbo switch is **Off** there is a 2kw output from the product. The turbo fan will be off.

When **O/I** switch is in position **I** and the turbo switch is **On** the heater goes into 3kW fan boost mode. There is a 3kw output from the product. The turbo fan will be running. The indicator neon is always on when the product is connected to the mains supply.

**Note:** there is no cold blow operation on this model and all heat settings and the turbo fan operate under the control of the thermostat

### Turbo fan (Boost mode)

The turbo fan is used to boost the airflow around the room. This circulates the heat better and results in a reduced heat up time and a more even heat distribution. The turbo fan is controlled by the neon switch on the front of the product.

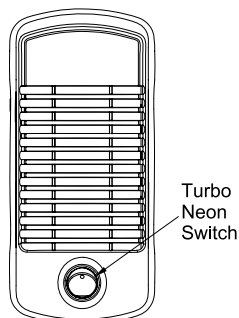


Fig. 8

## 403TSFTie Operation

This model contains an On/Off switch and operates as follows.

When **O/I** switch is in position **O** the product is off regardless of any other setting. The timer will continue to operate but cannot turn on the product. When **O/I** switch is in position **I** and the turbo switch is **Off** there is a 2kw output from the product. The turbo fan will be off.

When **O/I** switch is in position **I** and the turbo switch is **On** the heater goes into 3kW fan boost mode. There is a 3kw output from the product. The turbo fan will be running. The neon indicator on the timer will only be on when the timer is on an 'On' cycle.

**Note:** there is no cold blow operation on this model and all heat settings and the turbo fan operate under the control of the thermostat

## Digital Timer (403TSFTie) - see Fig. 9

**IMPORTANT:** Remember to observe all safety warnings when operating the heater on auto setting, either attended or unattended.

The timer allows you to select '**AUTO**' or '**MAN ON**' by pressing the '**MODE**' button until the required MODE appears at the bottom of the timer display. '**AUTO**' MODE allows the heater to switch ON and OFF according to a set 24 Hour program period (see 'Setting Programs' section below).

**'MAN ON'** MODE allows power to the heater uninterrupted by the program settings.

Key Lock:

If '**ENTER**' and '**MODE**' are pressed within 1 second, the keys will be locked. The user will know the keys are locked as the lock symbol '0-' will be displayed on the top left hand corner of the screen. To unlock the keypad, press '**ENTER**' and then '**MODE**' within 1 second.

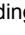
### Initial Operation

For initial use, plug the heater into a regular household power point and turn the power on. The timer is now ready to be set up for use.



Fig. 9

### Setting Current Time

1. Press the '**PROGRAM**' button ONCE. The clock symbol  appears on the top left hand side of the screen. The user can now set the clock.
2. The hour digit will flash. To adjust the hour use the '-' & '+' buttons. Confirm the hour digit by pressing '**ENTER**'.
3. Once '**ENTER**' has been pressed the minutes will flash. To adjust the minutes use the '-' & '+' buttons. Confirm the minute digit by pressing '**ENTER**'.
4. The timer now returns to the default display.
5. To reset incorrect time, repeat previous steps.

Once the correct time is set, a total of four ON/OFF time programs can be set for operation. There are two program options.

### Setting Programmes

Press the '**PROGRAM**' key twice to set the programs. You are now setting the programs starting with P1 'ON'.

#### SETTING P1 ON TIME:

1. To set the hour use the '-' & '+' buttons. Confirm the hour digit by pressing '**ENTER**'.
2. To set the minutes use the '-' & '+' buttons. Confirm the minute digit by pressing '**ENTER**'.

**Note:** The minutes can only be set in 10 minute blocks in programme '**MODE**'.

#### SETTING P1 OFF TIME:

3. To set the hour use the '-' & '+' buttons. Confirm the hour digit by pressing '**ENTER**'.
4. To set the minutes use the '-' & '+' buttons. Confirm the minute digit by pressing '**ENTER**'.

Repeat steps 1 to 4 to programme P2, P3 & P4. After programming P4 'OFF' you automatically exit to the default display.

At any time while programming the timer you can press the '**PROGRAM**' button to exit to the default display.

### The Advance Function

When in '**AUTO**' MODE, if the '+' button is pressed for longer than 2 seconds the programme will ADVANCE to the next setting programmed and will only revert back to the program when the subsequent programme time is reached. When the '**ADVANCE**' function is running the '**ADVANCE**' segment will be displayed on the LCD screen. If the '-' button is pressed when the '**ADVANCE**' programme is running the '**ADVANCE**' feature will be automatically cancelled and the programme will run as normal.

**Note - Timer Memory Back Up Batteries** - Once the heater has been left plugged in with the socket switched on for at least 72 hours the timer's memory back up batteries will be fully charged.

Once the timer batteries are fully charged, if there is a power cut or if the heater is disconnected from the mains for less than six months, then the timer will continue to keep time & the settings in the memory will remain intact.

## Safety – overheat protection

For your safety, this appliance is fitted with a thermal cut-out. In the event that the product overheats, the cut-out switches the heater off automatically. To bring the heater back into operation, remove the cause of the overheating, then unplug or turn off the electrical supply to the heater for a few minutes. When the heater has cooled sufficiently, re-connect and switch on the heater.

## Important Notes

Although this heater is manufactured to comply with the relevant safety standards, certain types of carpets could become discoloured by the temperatures under a portable heater. If you are concerned about this, we recommend that you contact the carpet manufacturer for guidance. Alternatively, either stand the heater on a suitable base to shield the carpet or wall-mount it – call our Helpline for further advice. You may notice some parts of the element appearing to be hotter from time to time because of the variable airflow through the heater. This does not cause a safety hazard. The heat outlet grille may become discoloured with use – this is caused by airborne pollution and is not a fault.

## Recycling



For electrical products sold within the European Community. At the end of the electrical products useful life it should not be disposed of with household waste. Please recycle where facilities exist. Check with your Local Authority or retailer for recycling advice in your country.

## Cleaning

**WARNING: ALWAYS DISCONNECT FROM THE POWER SUPPLY BEFORE CLEANING THE HEATER.**

Before commencing cleaning, switch off the heater and allow it to cool. Disconnect the electricity supply to the appliance. The outside can be cleaned by wiping it over with a soft damp cloth and then dried. Do not use abrasive cleaning powders or furniture polish, as this can damage the surface finish. To release the heater from the wall bracket for cleaning or redecoration, depress latch on each bracket and hinge forward.

## After Sales Service

Your product is guaranteed for three year from the date of purchase. After sales information or assistance with this product can be found on our website [www.dimplex.co.uk/support](http://www.dimplex.co.uk/support).

Your rights under this guarantee are additional to your statutory rights, which in turn are not affected by this guarantee.

Please do not return a faulty product to us as this may result in loss or damage and delay in providing you with a satisfactory service.

If following these steps your product still does not operate you should return it to your point of purchase.

Please retain your receipt as proof of purchase.