

Dimplex Air Curtains

08/18848/0 Issue 0

Models : AC3N, AC45N, AC6N & AC3RN

Dimensions (millimetres)

Model(s)	Watt	A	Hole centres B	Bracket length C
AC3N	3.0kw	605	424	492
AC45N	4.5kw	605	424	492
AC6N	6.0kw	905	721	756
AC3RN	3.0kw	605	424	492

(Remote control)

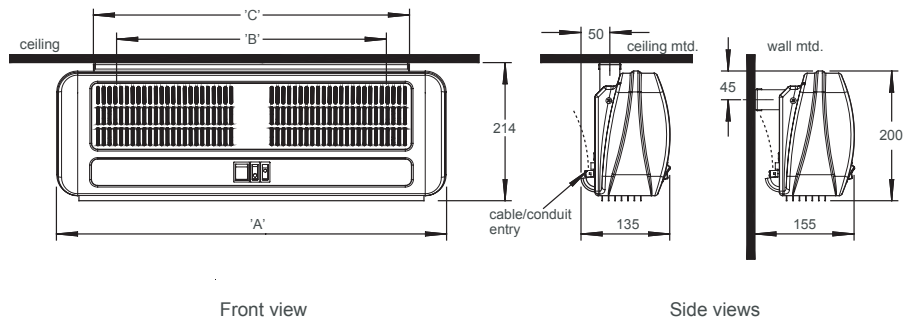


Fig. 1

THESE INSTRUCTIONS SHOULD BE READ CAREFULLY AND RETAINED FOR FUTURE REFERENCE.

IMPORTANT SAFETY ADVICE

DO NOT COVER OR OBSTRUCT the air inlet or outlet grille.

ENSURE THE APPLIANCE IS EARTHED.

Do not use this heater in areas where excessive dust exists.

This heater must not be located immediately above or below a fixed socket outlet or connection box.

Always disconnect supply before working on the product.

This product should be mounted safely to solid wall or ceiling surfaces only.

Ensure the supply cables are of adequate current carrying capacity and are protected by a suitable fuse.

If the appliance is mounted in a toilet or washroom, the appliance should be mounted such that no part of it can be touched by a person using a fixed bath or shower.

If the appliance is mounted in a toilet or washroom an isolating switch must be provided outside the washroom adjacent to the entrance door.

Electrical

The installation of this appliance should be carried out by a competent electrician and be in accordance with the current IEE wiring regulations.

Fixing Positions

This appliance may be either wall-mounted or fixed to a ceiling - see Fig. 2 for various fixing positions and 'Installation' for details on fixing.

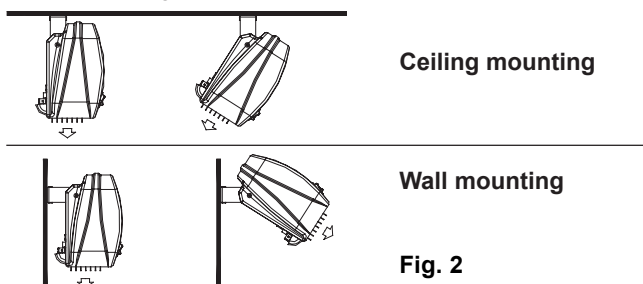


Fig. 2

Heaters may be mounted end to end for wide doorways.

Installation

Using the wall mounting bracket as a guide (see Fig. 3) mark off the hole positions on the wall or ceiling - a minimum height of 1.8metres is required from floor to bracket. Fix the bracket in position by following steps as described under the heading 'Wall or Ceiling Mounting'.

Wall or Ceiling Mounting

Solid brick or concrete block walls must be drilled and plugged (using a spirit level as a guide ensure bracket is level) with rawplug No. 8 size fibre inserts. The plug must be located in the solid part of the wall, not just in the plaster layer.

For panelled internal walls or ceilings, it is best to locate the studding, position the heater fixing bracket accordingly and use No. 8 size wood screws. If it is not possible to locate the studding, use type M4 Rawlplug inserts, making the 10mm holes with a drill rather than a bradawl or a screwdriver.

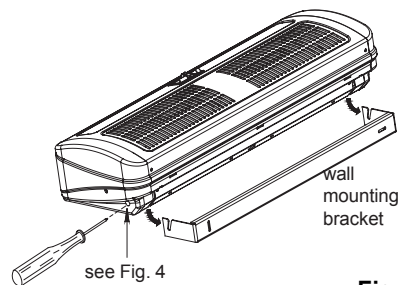
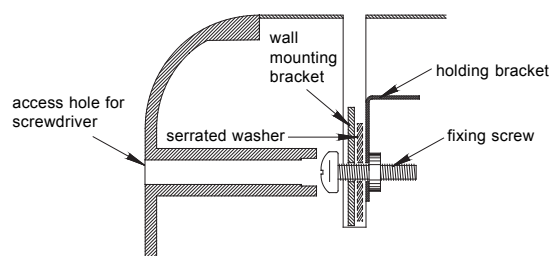


Fig. 3

Locate the heater on the mounting bracket ensuring that the pozi-head screws are fully engaged in the slots of the bracket.

It is important that the serrated metal washer is located between the heater holding bracket and the wall mounting bracket. Adjust heater to the required angle then firmly tighten the fixing screws inside the endcap using a cross-head screwdriver as shown in Fig. 4.



Detail view of Wall fixing bracket arrangement

Fig. 4

Release the screws at either end of the air-outlet grille (see Fig. 5) to gain access to the terminals for connection of the supply cable - see Fig. 6.

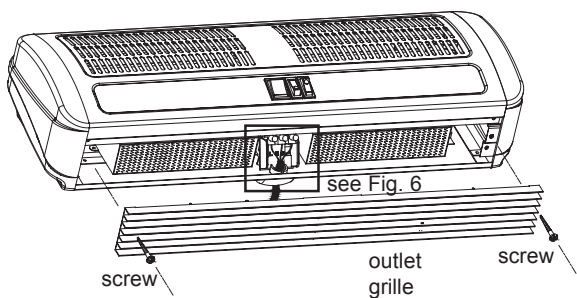
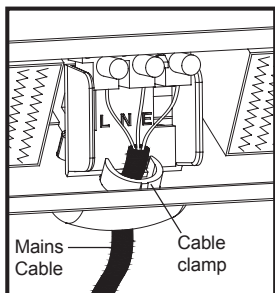
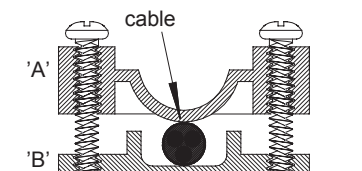


Fig. 5

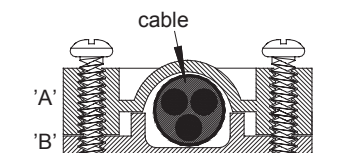


Insert the mains cable down the outside of the back panel (not on inside) and through the rear entry cable clamp and make connection as shown in Fig. 6 see also Fig. 7 for detailed views of cable clamps.

**Fig. 6-
Detail view of cable entry**



**Fig. 7a
Cable clamp detail for
AC3N & AC3RN models**



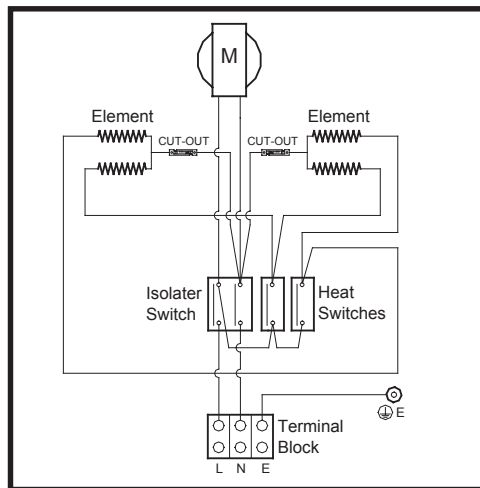
**Fig. 7b
Cable clamp detail for
AC45N & AC6N models**
Note : Part 'A' of cable
clamp is flipped over to
receive the larger cable

Connection to fixed wiring should be made through an adjacent minimum 20 amp double-pole switch for AC3N, AC3RN & AC45N models.

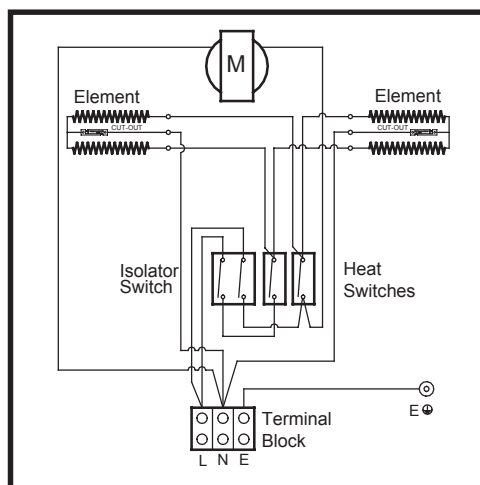
Connection to fixed wiring should be made through an adjacent minimum 30 amp double-pole switch for AC6N model with a minimum separation of 3mm in each pole.

Re-secure the outlet grille.

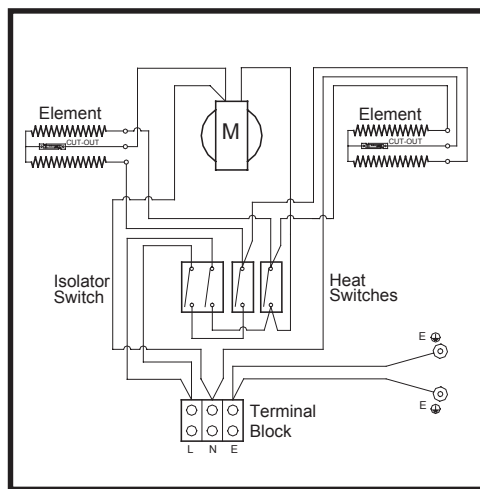
Ensure that the air-curtain is securely fastened and that the supply cable is firmly clamped before operating the appliance.



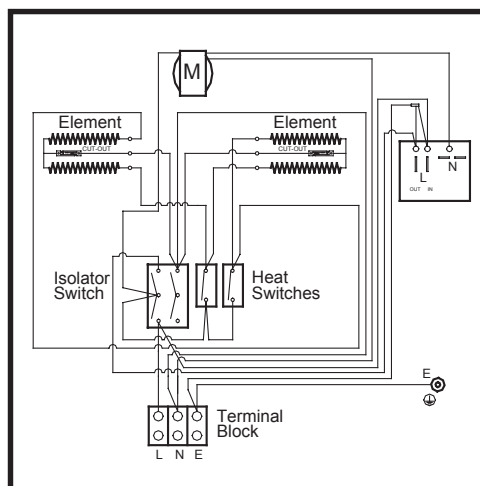
**Fig. 8
AC3N
Wiring
Diagram**



**Fig. 9
AC45N
Wiring
Diagram**



**Fig. 10
AC6N
Wiring
Diagram**



**Fig. 11
AC3RN
Wiring
Diagram**

Operation (AC3N, AC45N & AC6N models)

Switch on electricity supply to the heater.

Switching the switch marked 'I' energises the blower.

Select 'I' and the smaller switches marked '●' as required (see Fig. 12).

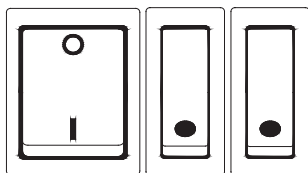


Fig. 12

- Settings -**
- I** : Blower only
 - I + ●** : Half heat
 - I + ● + ●** : Full heat

Operation (AC3RN model)

Switch on electricity supply to the heater.

Select the switch position 'MAN' for Manual Operation.

Select the switch position 'AUTO' for Operation via the remote control.

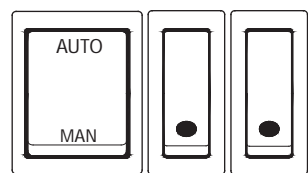


Fig. 13

Select the desired heat output using the smaller switches position '●' (see Fig. 13).

To operate the remote control you must first select 'AUTO'. The heater may now be turned 'On' or 'Off' using the Remote Control.

- Settings -**
- MAN** : Blower only
 - AUTO** : Remote On/Off
 - MAN + ●** : Half heat
 - MAN + ● + ●** : Full heat

'AUTO' will default to 'OFF' if the remote control is not being used.

The range of the Remote Control is 15 metres.

Note :

Repeated simultaneous switching of the 'ON' and 'OFF' buttons on the remote control may require resetting of the heater-see 'Resetting AC3RN remote control'.

If the remote control becomes lost, switch off at the mains supply for at least 30 seconds and select 'MAN' for Manual Operation.

Remote Control (AC3RN model only)

Insert the 9 volt battery into the remote control.

Press either the ON or OFF button to check the operation of the remote. The green light on the front of the remote control will light.

Switch the heater to AUTO for automatic operation.

Press the ON button to activate the heater, and OFF to turn off.

If the remote control does not operate the heater, first check battery and then follow the instructions under 'Resetting AC3RN remote control' below.

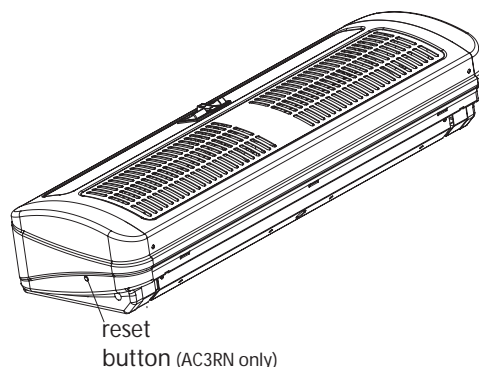


Fig. 14

Resetting AC3RN remote control

Switch the heater to automatic operation, and ensure the remote control is functioning. (green light should operate)

Insert a small non-metallic pin (dia. less than 2mm e.g. a toothpick or match) into the hole shown in Fig. 14 and press the reset button. At the same time press the ON button on the remote control.

Release the reset button on the heater and the button on the remote control at the same time.

The heater is now programmed to operate with this remote sender unit.

Note this method can be used to program a number of heaters to operate from a single remote control.

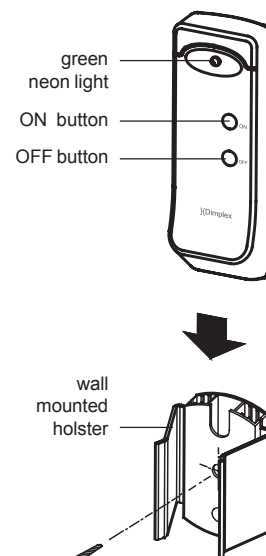


Fig. 15

The remote control may be placed when not in use in the wall-mounted holster provided (see Fig. 15).

Screws and rawl plugs for wall fixing the holster are provided also.

Important Battery information.

Discard leaky batteries.

Dispose of batteries in the proper manner according to Provincial and local regulations. Any battery may leak electrolyte if mixed with a different battery type, if inserted incorrectly, if all the batteries are not replaced at the same time, if disposed of in a fire or if an attempt is made to charge a battery not intended to be recharged.

Maintenance

WARNING: DISCONNECT SUPPLY before carrying out maintenance.

Thermal Safety Cut-outs

The power supply to the heating elements will be interrupted if one or a combination of the following abnormal events occur.

1. Air inlet or outlet grilles are obstructed.
2. Internal ventilation is impaired due to build up of dust and fluff.
3. Blower unit stalls.

Note : If the cut-out operates, the fan may continue to run, however the performance of the heater may be impaired. The heater must be turned off immediately.

To reset the cut-out on all models see Procedures below :

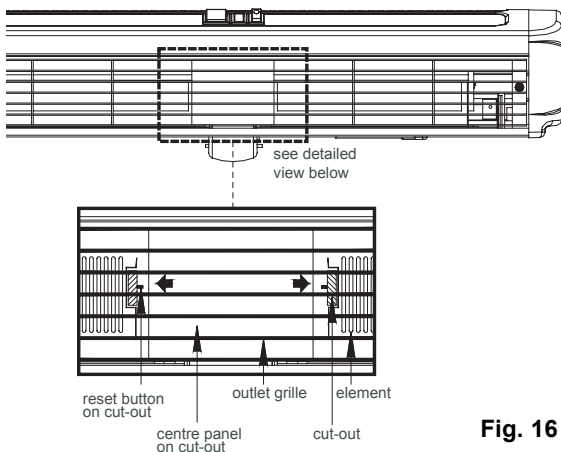


Fig. 16

Procedure for resetting cut-out (AC3N, AC45N & AC3RN)

Establish cause and eliminate. Reset thermal cut-out(s) by depressing black button on side of cut out as described in steps 2 - 4 below.

1. Disconnect power supply.
2. Pass flat head screwdriver through air outlet grille to centre panel side of reset button.
3. Press buttons in directions shown to reset cut-outs (see Fig.16). Cut-out clicks when reset.
4. Remove screwdriver carefully.
5. Turn on supply.

Procedure for resetting cut-out (AC6N only)

1. Disconnect power supply.
2. Determine what has caused the cut-out to operate and rectify.
(Note : This should only be undertaken by competent persons with experience of repairing electrical appliances and in full knowledge of the possible hazards involved).
3. After a short time delay to allow the appliance to cool down, all that is required to return the heater to normal operation is to switch the electricity supply back on.

Cleaning

WARNING: DISCONNECT SUPPLY before carrying out maintenance.

External appearance can be maintained by wiping occasionally with a damp cloth ; for stain removal, a weak soap solution can be applied with a cloth and the surface wiped dry. Care must be taken to avoid any moisture ingress into the product.

After Sales Service

Your Dimplex Air Curtain is guaranteed for one year from date of purchase. We undertake to exchange or repair free of charge within this period any part found to be defective due to a manufacturing fault. This guarantee in no way prejudices your rights under common law.

Should you require after sales service, please get in touch with the supplier through whom you purchased the appliance, or your nearest service agent.

Please do not initially return a faulty appliance or part of an appliance to us as this may result in transit damage and/or delay in providing service. Let us know your difficulty, quoting the model number and series letter of the appliance. We will then take the appropriate action.

CE The product complies with the European Safety Standards EN60335-2-30 and the European Standard Electromagnetic Compatibility (EMC) EN55014, EN60555-2 and EN60555-3 which cover the essential requirements of EEC Directives 73/23 and 89/336

Glen Dimplex UK Limited
Millbrook House
Grange Drive
Hedge End
Southampton
Hampshire. SO30 2DF

UK customer help line (8.00AM – 6.00PM Mon-Fri; 8.30AM-1.00PM Sat)

Customer Services: Tel. 0870 7270101
Fax. 0870 7270102
e-mail customer.services@glendimplex.com
Republic of Ireland Tel. 01 8424833