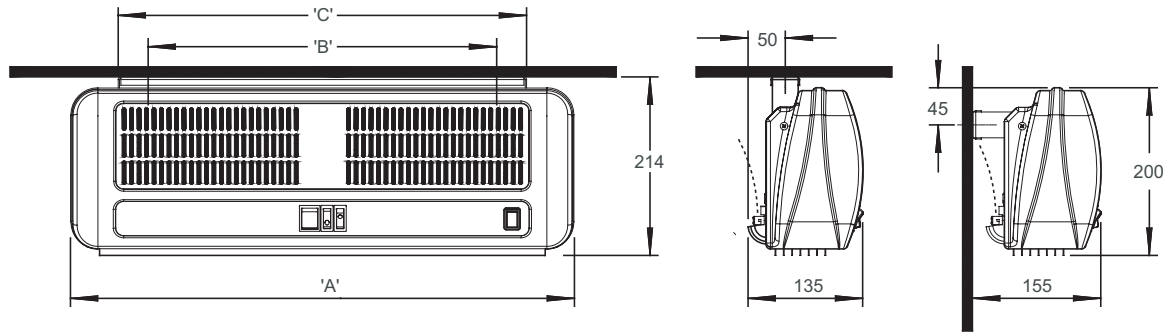


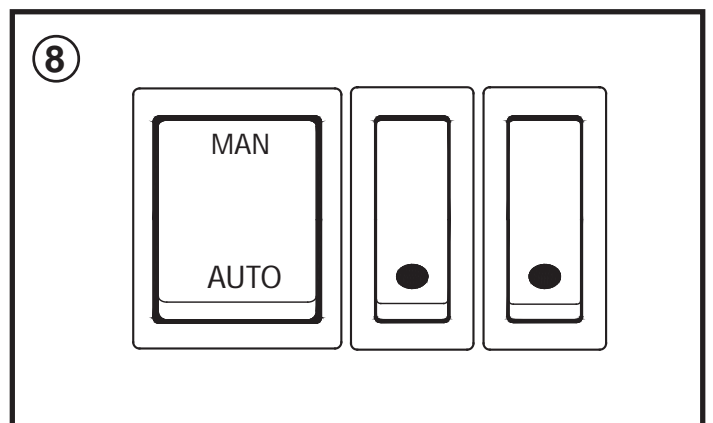
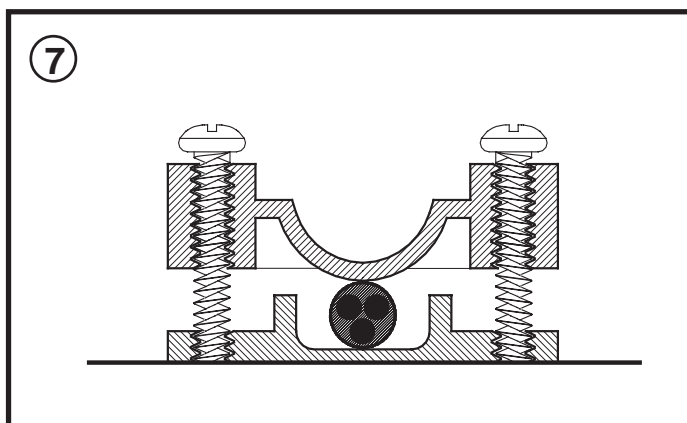
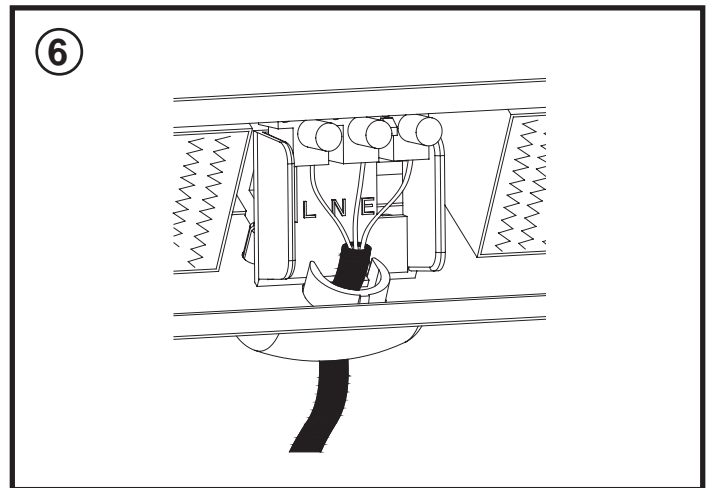
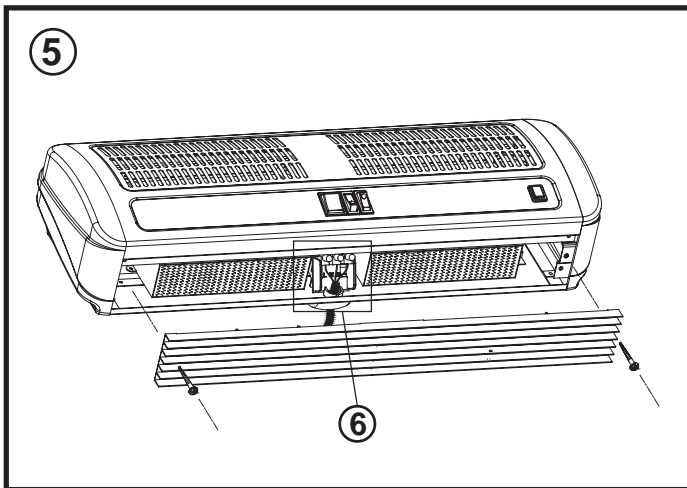
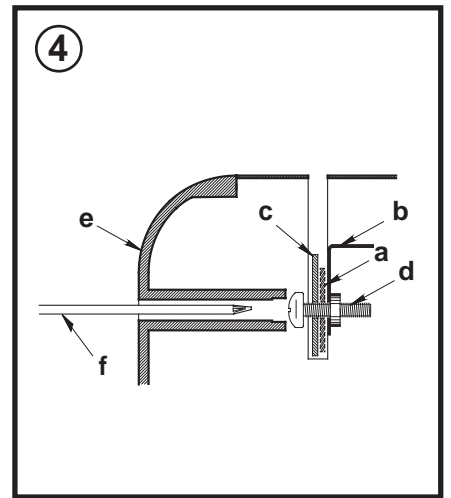
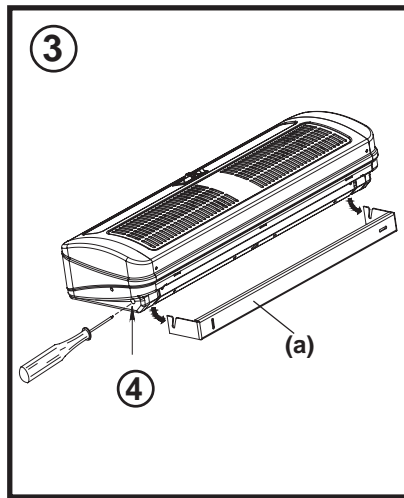
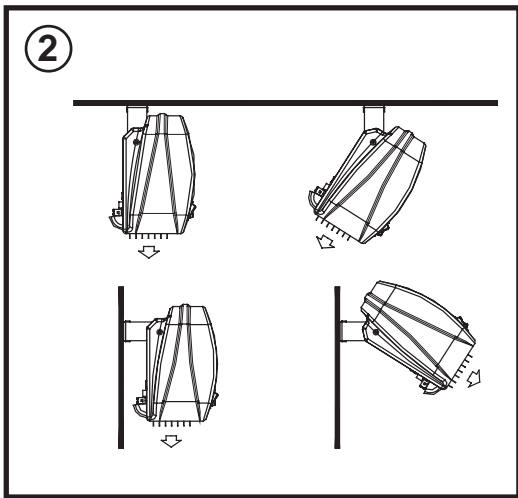
AC3RN Air Curtain

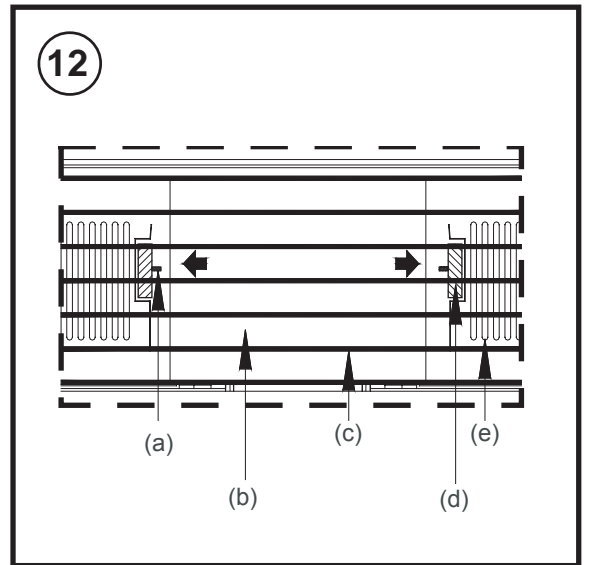
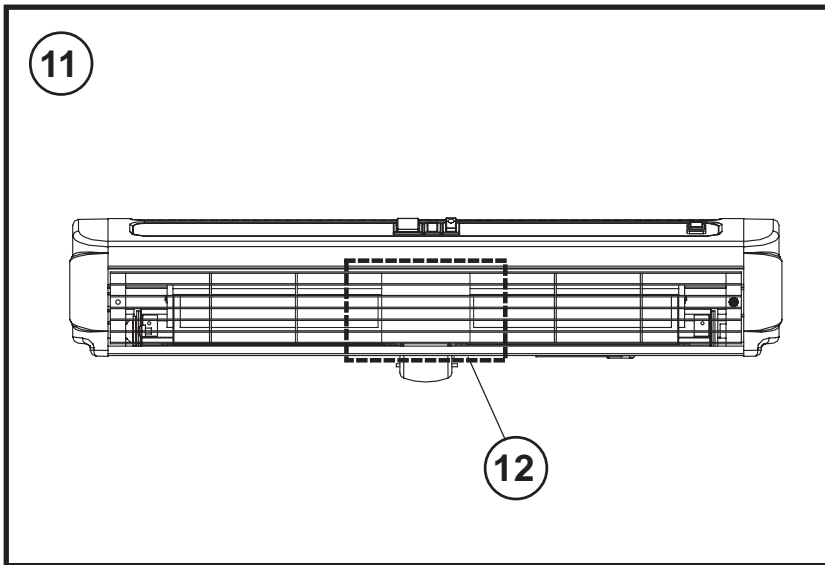
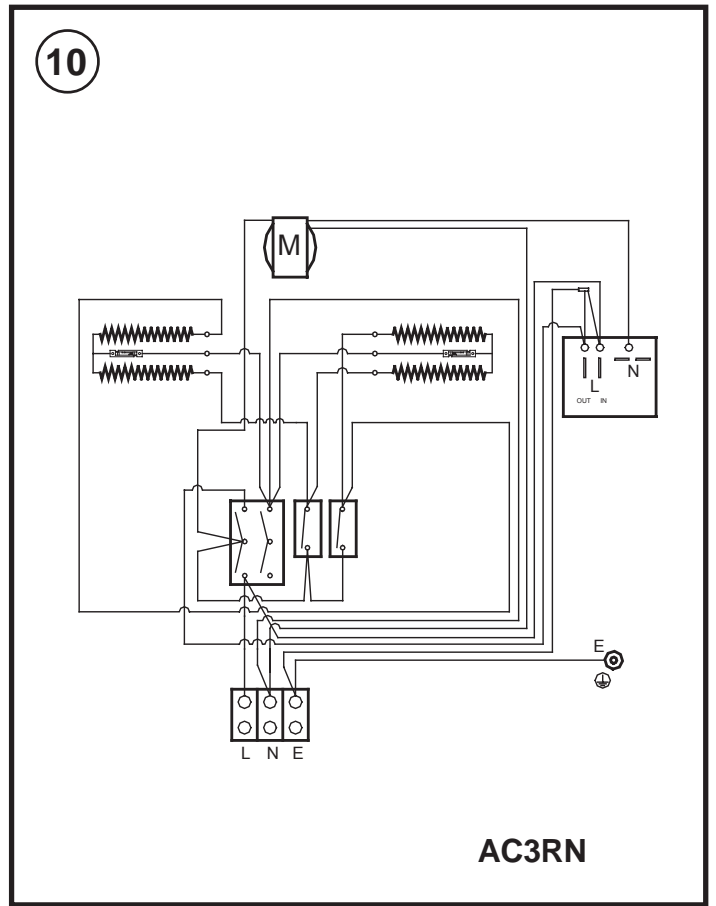
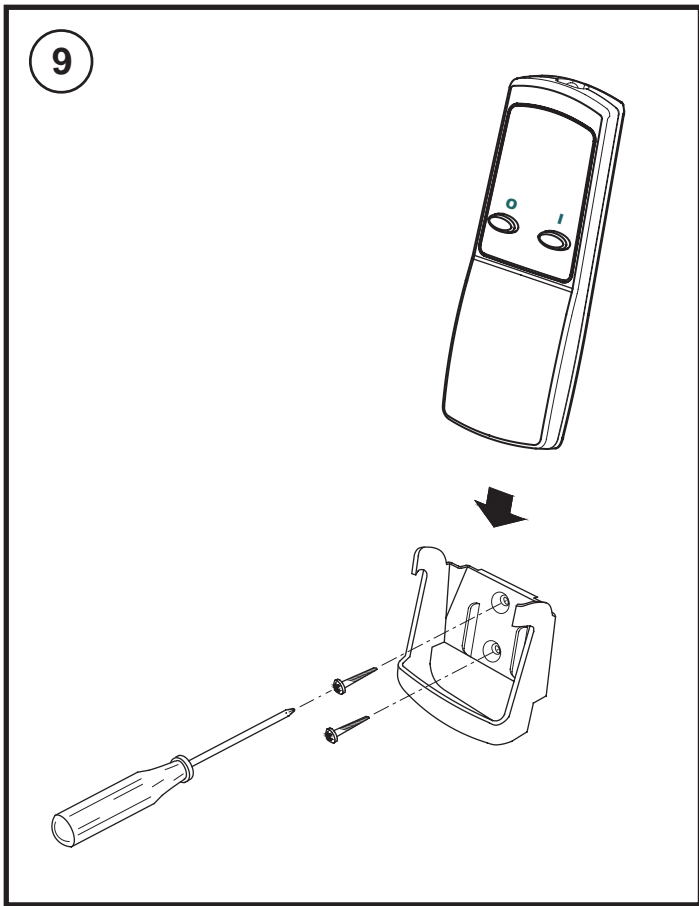
08/19307/0 - Issue 0



Model	Watt	A	B	C
AC3RN	3.0kW	605	424	492

1





Dimplex AC Air Curtains Model : AC3RN

IMPORTANT: THESE INSTRUCTIONS SHOULD BE READ CAREFULLY AND RETAINED FOR FUTURE REFERENCE

IMPORTANT SAFETY ADVICE

DO NOT COVER OR OBSTRUCT the air inlet or outlet grille.
ENSURE THE APPLIANCE IS EARTHED.
Do not use this heater in areas where excessive dust exists.
This heater must not be located immediately above or below a fixed socket outlet or connection box.
Always disconnect supply before working on the product.
This product should be mounted safely to solid wall or ceiling surfaces only.
Ensure the supply cables are of adequate current carrying capacity and are protected by a suitable fuse.
If the appliance is mounted in a toilet or washroom, the appliance should be mounted such that no part of it can be touched by a person using a fixed bath or shower.
If the appliance is mounted in a toilet or washroom an isolating switch must be provided outside the washroom adjacent to the entrance door.

Electrical

The installation of this appliance should be carried out by a competent electrician and be in accordance with the current IEE wiring regulations.

Fixing Positions

This appliance may be either wall-mounted or fixed to a ceiling - see **Fig. 2** for various fixing positions and 'Installation' see section below, for details on fixing. Heaters may be mounted end to end for wide doorways.

Installation

Using the wall mounting bracket as a guide (see 'a' in **Fig. 3**) mark off the hole positions (see 'B' in **Fig. 1**) on the wall or ceiling - a minimum height of 1.8 metres is required from floor to bracket. Fix the bracket in position by following steps as described under the heading 'Wall or Ceiling Mounting'.

Wall or Ceiling Mounting

Solid brick or concrete block walls must be drilled (using a spirit level as a guide to ensure bracket is level) and plugged with rawlplugs supplied. The plug must be located in the solid part of the wall, not just in the plaster layer.

For panelled internal walls or ceilings, it is best to locate the studding, position the heater fixing bracket accordingly and use screws supplied. If it is not possible to locate the studding, use type M5 rawlplug inserts, making the 10mm holes with a drill rather than a bradawl or a screwdriver.

Locate the heater on the mounting bracket ensuring that the pozi-head screws are fully engaged in the slots of the bracket.

It is important that the serrated metal washer (a) is located between the heater holding bracket (b) and the wall mounting bracket (c). Adjust heater to the required angle, then firmly tighten the fixing screw (d) inside the endcap (e) using a cross-head screwdriver (f) as shown in **Fig. 4**.

Electrical connection

Release the screws at either end of the air-outlet grille (see **Fig. 5**) to gain access to the terminals for connection of the supply cable - see **Fig. 6**.

Insert the mains cable down the outside of the back panel (not on inside) and through the rear entry cable clamp and make connection as shown in **Fig. 6** (see also **Fig. 7** for detailed views of cable clamp).

Connection to fixed wiring should be made through an adjacent minimum 20 amp double-pole switch.

Re-secure the outlet grille.

Ensure that the air-curtain is securely fastened and that the supply cable is firmly clamped before operating the appliance.

Operation

Switch on electricity supply to the heater.

Select the switch position 'MAN' for Manual Operation.

Select the switch position 'AUTO' for Operation via the remote control.

Select the desired heat output using the smaller switches position '●' (see **Fig. 8**).

To operate the remote control you must first select 'AUTO'. The heater may now be turned 'On' or 'Off' using the Remote Control.

Settings -	MAN	: Fan 'On'
	AUTO	: Fan 'On / Off' (using remote I / ●)
	MAN / AUTO + ●	: Half heat
	MAN / AUTO + ● + ●	: Full heat

'AUTO' will default to 'OFF' if the remote control is not being used.

NOTE. Infra red technology is used for the remote control link, the range is 8m in line of sight.

If the remote control becomes lost, switch off at the mains supply for at least 30 seconds and select 'MAN' for Manual Operation.

Remote Control

Insert 2 off 1.5 volt AAA batteries into the remote control handset.

Switch the heater to 'AUTO' for automatic operation.

Press the **I** button to activate the heater, and **●** to turn off.

If the remote control does not operate the heater, first check batteries, then point remote directly at the heater before operating.

The remote control may be placed when not in use in the wall-mounted holster provided (see **Fig. 9**). Screws and rawlplugs for wall fixing the holster are provided.

Important Battery information

Discard leaky batteries.

Dispose of batteries in the proper manner according to Provincial and local regulations. Any battery may leak electrolyte if mixed with a different battery type, if inserted incorrectly, if all the batteries are not replaced at the same time, if disposed of in a fire or if an attempt is made to charge a battery not intended to be recharged.

Maintenance

WARNING: DISCONNECT SUPPLY before carrying out maintenance.

Thermal Safety Cut-outs

The power supply to the heating elements will be interrupted if one or a combination of the following abnormal events occurs.

1. Air inlet or outlet grilles are obstructed.
2. Internal ventilation is impaired due to build up of dust and fluff.
3. Blower unit stalls.

Note : If the cut-out operates, the fan may continue to run impairing the performance of the heater. The heater must be turned off immediately and the cut-out(s) reset following the Resetting Procedure and using the features (from **Fig.12**) listed below.

- | | |
|--------------------------------|-------------|
| (a) Reset button on cut-out | (d) Cut-out |
| (b) Outlet grille centre panel | (e) Element |
| (c) Outlet grille | |

Procedure for resetting cut-out

Establish cause and eliminate. Reset thermal cut-out(s), located at front of heater (see **Fig.11**), by depressing the black button (a) on side of cut-out (d) as described in steps 2 - 4 below.

1. Disconnect power supply.
2. Pass flat head screwdriver through air outlet grille (c) to centre panel (b) side of reset button (a) avoiding contact with element (e).
3. Press reset button in direction shown in **Fig. 12** to reset cut-out. (Cut-out clicks when reset)
4. Remove screwdriver carefully.
5. Turn on supply.

Cleaning

WARNING: DISCONNECT SUPPLY before carrying out maintenance.

External appearance can be maintained by wiping occasionally with a damp cloth and for stain removal, a weak soap solution can be applied with a cloth and the surface wiped dry. Care must be taken to avoid any moisture ingress into the product.

After Sales Service

Your product is guaranteed for one year from the date of purchase.

Within this period, we undertake to repair or exchange this product free of charge provided it has been installed and operated in accordance with these instructions.

Your rights under this guarantee are additional to your statutory rights, which in turn are not affected by this guarantee.

Should you require after sales service you should contact our customer services help desk on 0870 727 0101. It would assist us if you can quote the model number, series, date of purchase, and nature of the fault at the time of your call. The customer services help desk will also be able to advise you should you need to purchase any spares.

Please do not return a faulty product to us in the first instance as this may result in loss or damage and delay in providing you with a satisfactory service.

Please retain your receipt as proof of purchase.

Dimplex

Glen Dimplex UK Limited
Millbrook House
Grange Drive
Hedge End
Southampton
Hampshire. SO30 2DF
England

Customer Services:
(8am – 6pm Mon-Fri
8.30am-1pm Sat)

Tel. +44 (0) 870 7270101
Fax. +44 (0) 870 7270102
E-mail - customer.services@glendimplex.com