

Architectural Air Curtains 3m

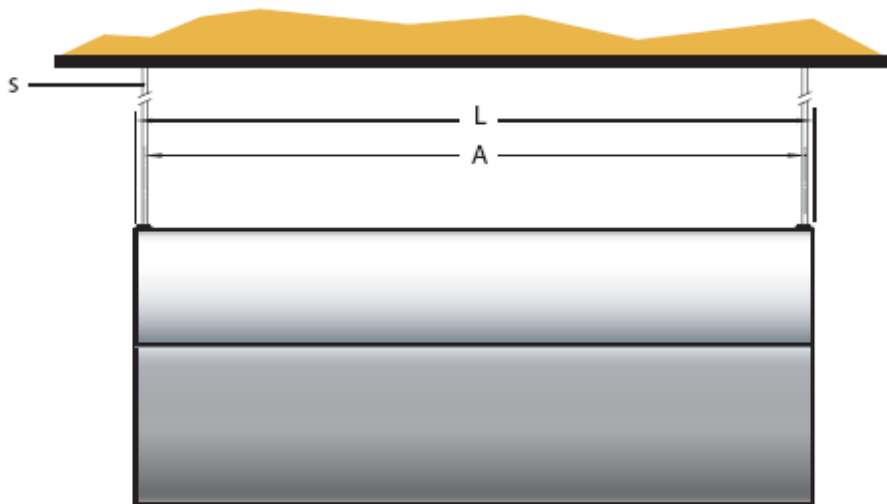
Ambient

Model	ARC10A	ARC15A	ARC20A
Performance			
Airstream Width	1m	1.5m	2m
Max Mounting Height / Max Air Throw (Vertical)	3.0m	3.0m	3.0m
Max Air Volume (m ³ /h) (High/low)	2500 / 1700	3000 / 2000	5000 / 3400
Max Air Velocity (m/s) (High/low)	9.0 / 6.0	9.0 / 6.0	9.0 / 6.0
Noise level @ 3m (High / Low) dB (A)	55 / 51	55 / 51	57 / 53
Fans Power @ (230V~ 1PN) (kW)	0.4	0.56	0.8
Fans Current @ (230V ~ 1PN) (A)	1.74	2.43	3.48
Heat Source	N/A		
Heat Output (kW)	N/A	N/A	N/A
Technical			
Blower(s)	Tangential x 2 150mm Impellers	Tangential x 2 150mm Impellers	Tangential x 4 150mm Impellers
Control System	Electronic low voltage. Supplied with wall controls connected via CAT5 patch cables with RJ45 terminations. (data signals only) Master/slave (daisy-chain) connection for single control over a maximum of 10 units as one.		
Control Functions	Twin fan speeds, Fan run-on circuit (3 mins), BMS/BEMS links, door sensor connections, thermostat connections. Aux input for interlocks		
Control Type	Hard wired double gang sized control panel for recessed or surface mounting		
Installation	Horizontal (above entrance) using threaded rod (not supplied) Vertical (mechanical fixed to floor using optional foot) Additional top tether supplied with vertical units		
Dimensions (W x H x D) (cm)	115 x 45 x 36	165 x 45 x 36	220 x 45 x 36
Grille dims (I/let, O/let) (W x H) (cm)	107 x 21 / 107 x 11	157 x 21 / 157 x 11	204 x 21 / 204 x 11
Electric Supply	230V ~ 1PN	230V ~ 1PN	230V ~ 1PN
Colour / Finish	Brushed Stainless Steel or RAL colour matched Mirror Polished finish at extra cost		
Warranty (yr)	2		
Weight (kg)	55	85	110

Architectural Air Curtains 3m

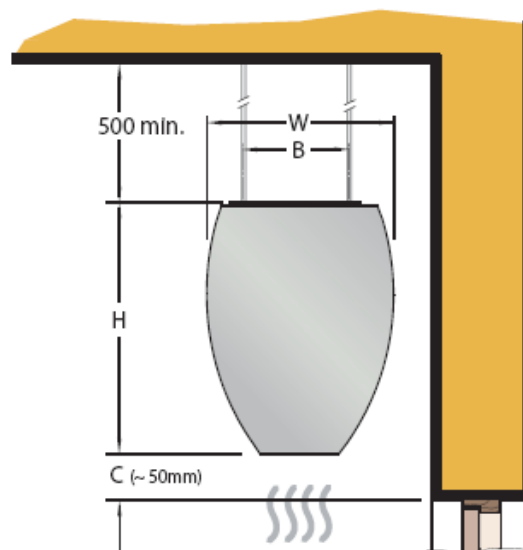
Ambient

Product Dimensions—Facing (Horizontal)



	L	W	H	A	B
ARC10 E/W/WLT/A	1150	390	450	1110	175
ARC15 E/W/WLT/A	1650	390	450	1610	175
ARC20 E/W/WLT/A	2200	390	450	2160	175

Product Dimensions—Side (Horizontal)



Architectural Air Curtains 3m

Ambient

Vertical Mounting Foot & Top Tether

