

Owner's Manual

Model
BLF50-UK
BELFORD

EN



IMPORTANT SAFETY INFORMATION: Always read this manual first before attempting to install or use this fireplace. For your safety, always comply with all warnings and safety instructions contained in this manual to prevent personal injury or property damage.

08/53087/0 (UK) Issue 1



Table of Contents

	Welcome & Congratulations	3
	IMPORTANT SAFETY INSTRUCTIONS	4
	Quick Reference Guide	7
	Fireplace Installation	8
	Site Selection	8
	Surface Installation	9
	In-wall Recessed Installation - 100mm Deep	11
	Flush Mounted Installation - 200mm Deep	12
	Front Glass Installation	13
	Operation	15
	Maintenance	17
	Warranty	18

Always use a qualified technician or service agency to repair this fireplace.

! NOTE: Procedures and techniques that are considered important enough to emphasize.

! CAUTION: Procedures and techniques which, if not carefully followed, will result in damage to the equipment.

! WARNING: Procedures and techniques which, if not carefully followed, will expose the user to the risk of fire, serious injury, or death.



Welcome & Congratulations

Thank you and congratulations for choosing to purchase an electric fireplace from Dimplex, the world leader in electric fireplaces.

Please carefully read and save these instructions.

! CAUTION: Read all instructions and warnings carefully before starting installation. Failure to follow these instructions may result in a possible electric shock, fire hazard and will void the warranty.

Please record your model and serial numbers below for future reference: model and serial numbers can be found on the Model and Serial Number Label of your fireplace.



NO NEED TO RETURN TO THE STORE

Questions With the Assembly?

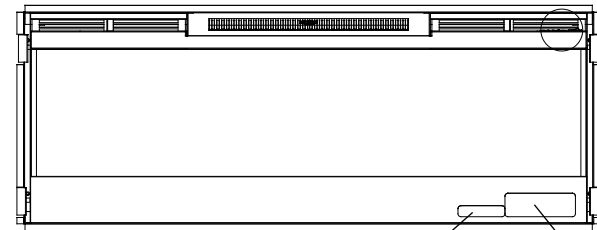
Require Parts Information?

Product Under Manufacturer's Warranty?



Call your local dealer

Please have your model number and product serial number ready. (See below)



Serial Number Label

Rating Label

IMPORTANT SAFETY INSTRUCTIONS

Read all instructions before using this appliance.

When using electrical appliances, basic precautions should always be followed to reduce the risk of fire, electrical shock and injury to persons, including the following:

1. If the appliance is damaged, check with the supplier before installation and operation.
2. Do not use outdoors.
3. Do not use in the immediate surroundings of a bath, shower or swimming pool.
4. Do not locate the appliance immediately below a fixed socket outlet or connection box.
5. This appliance can be used by children aged from 8 years and above and persons with reduced physical, sensory or mental capabilities or lack of experience and knowl-

edge if they have been given supervision or instruction concerning use of the appliance in a safe way and understand the hazards involved. Children shall not play with the appliance. Cleaning and user maintenance shall not be made by Children without supervision.

6. Children of less than 3 years should be kept away unless continuously supervised. Children aged from 3 years and less than 8 years shall only switch on/off the appliance provided that it has been placed or installed in its intended normal operating position and they have been given supervision or instruction concerning use of the appliance in a safe way and understanding the hazards involved. Children aged from 3 years and


IMPORTANT SAFETY INSTRUCTIONS

less than 8 years shall not plug in, regulate and clean the appliance or perform user maintenance.

7. Do not use this appliance in series with a thermal control, a program controller, a timer or any other device that switches on the heat automatically, since a fire risk exists when the appliance is accidentally covered or displaced.
8. This appliance is not equipped with a device to control the room temperature. Do not use this appliance in small rooms when they are occupied by persons not capable of leaving the room on their own, unless constant supervision is provided.
9. Ensure that furniture, curtains or other combustible material are positioned no closer than 1 metre from

the appliance.

10. In the event of a fault unplug the appliance.
11. Unplug the appliance when not required for long periods.
12. Although this appliance complies with safety standards, we do not recommend its use on deep pile carpets or on long hair type of rugs.
13. The appliance must be positioned so that the plug is accessible.
14. If the supply cord is damaged it must be replaced by the manufacturer or service agent or a similarly qualified person in order to avoid a hazard.
15. Keep the supply cord away from the front of the appliance.


 **WARNING:** In order to avoid overheating, do not cover the appliance. Do not

⚠ IMPORTANT SAFETY INSTRUCTIONS

place material or garments on the appliance, or obstruct the air circulation around the appliance, for instance by curtains or furniture, as this could cause overheating and a fire risk.

⚠ WARNING: In order to avoid a hazard due to inadvertent resetting of the thermal cut-out, this appliance must not be supplied through an external switching device, such as a timer, or connected to a circuit that is regularly switched on and off by the utility.

⚠ CAUTION: Some parts of this product can become very hot and cause burns. Particular attention has to be given where children and vulnerable people are present.

The heater carries the Warning Symbol 
indicating that it must not be covered
SAVE THESE INSTRUCTIONS

Quick Reference Guide

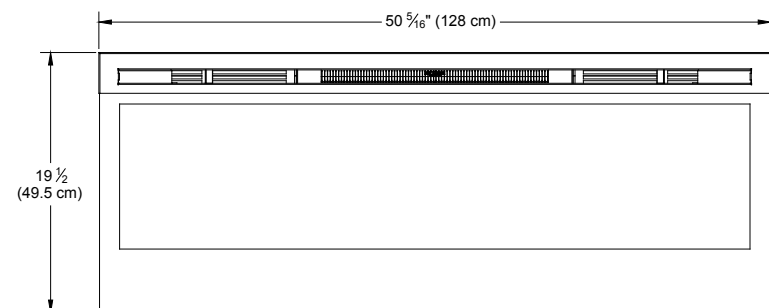
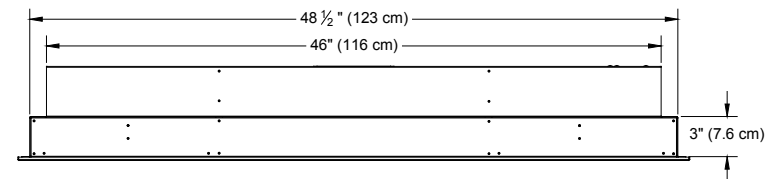
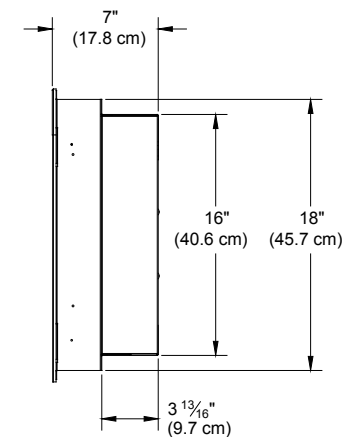
① The electrical information regarding your electric fireplace can be found on the rating label located on the front of the unit, behind the glass.

Before installation, please record your fireplace's serial number below for future reference.

② If you have any technical questions or concerns regarding the operation of your electric fireplace, or require service contact customer service.

③ For dimensions of your fireplace, refer to Figure 1.

Figure 1



Fireplace Installation

Site Selection

Review and consider all of the following conditions for installation:

- Dimensions of the unit: 128cm x 49.5cm
- Unit requires a minimum of two (2) wall studs in order to ensure a secure installation

Three possible installation methods:

- Installation method: Surface mount; In-wall Recessed; or Flush mount
- Hardwired or plug-in method

⚠ WARNING: Ensure the power cord is not installed so that it is pinched or against a sharp edge and ensure that the power cord is stored or secured to avoid tripping or snagging to reduce the risk of fire, electric shock or injury to persons.

Construction and electrical outlet wiring must comply with local building codes and other applicable regulations to reduce the risk of fire, electric shock and injury to persons.

1. Select a location that is not susceptible to moisture and is away from drapes, furniture and high traffic.

2. For ease of electrical hook up you may wish to locate the fireplace near an existing outlet (for plug-in convenience).

! NOTE 1: A 13 Amp, 230 Volt circuit is required. A dedicated circuit is preferred but not essential in all cases. A dedicated circuit will be required if, after installation, the circuit breaker trips or fuse blows on a regular basis when the heater is operating. Additional appliances on the same circuit may exceed the current rating of the circuit breaker.

3. Remove fireplace, front glass and hardware from box and remove all packaging materials before installation.
4. Store the fireplace in a safe, dry and dust free location until you are ready to install the fireplace.

Fireplace Installation

The fireplace is packaged with a three prong plug installed for plug-in convenience. Hard wiring the fireplace is also an option by removing the plug from the factory fitted cord and completing the wiring according to National and Local Electrical Codes.

⚠ WARNING: Do not attempt to wire your own new outlets or circuits. To reduce the risk of fire, electric shock or injury to persons, always use a licensed electrician.

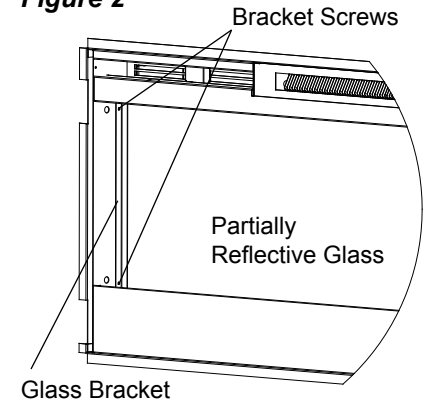
⚠ WARNING: Ensure that the 3-Position Switch is set to the Off position ("O") and that the circuit on which the fireplace is to be installed has the power cut off at the service panel until installation is complete.

Surface Installation

⚠ CAUTION: Two people may be required for various steps of this procedure.

1. Choose a location for mounting the unit.
2. Choose your method of supplying power to the unit:
 - Plug in to an existing outlet or install an outlet nearby.
 - Hard wire the fireplace.

Figure 2



! NOTE: Hard wiring can be done by removing the plug from the factory fitted cord and completing the wiring according to National and Local Electrical Codes.

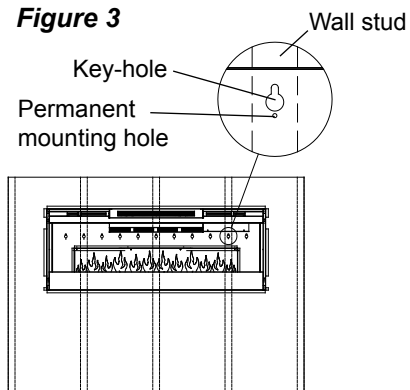
⚠ WARNING: Do not attempt to wire your own new outlets or circuits. To reduce the risk of fire, electric shock or injury to persons, always use a licensed electrician.

Ensure that the 3-Position Switch is set to the Off position ("O") and that the circuit on which the fireplace is to be installed has the power cut off at the service panel until installation is complete.

3. Remove the partially reflective glass from the fireplace:

🔧 Fireplace Installation

Figure 3



- Lay fireplace on its back.
 - Remove two (2) Phillips screws from each of the two (2) glass brackets (Figure 2).
 - Remove glass brackets.
 - With one hand keeping pressure on the partially reflective glass, tilt the fireplace upright and slightly forward to allow the partially reflective glass to fall out of the inside framing.
 - Remove partially reflective glass from fireplace.
4. Position the fireplace on a wall at the position where it will be mounted (Figure 3). Use a bubble level (one is supplied) to ensure that fireplace is level on the wall.
 5. Mark the location of four (4) screw locations on the wall (through key-holes).

⚠ CAUTION: If installing unit on a wall that is constructed of drywall ensure that appropriate wall anchors are used and at least one is located into a stud.

6. Remove fireplace from wall and store in a safe place away from traffic.
7. Screw all four (4) supplied #8, 3.8 cm square head mounting screws and washers into the wall and/or wall anchors leaving 6.5 mm of thread.
8. Align chosen key-holes with screws and hang fireplace on the wall. Screw heads and washers will fit through key-holes and fireplace will slide down into place (screws will slide into narrow part of key-holes).
9. Tighten all four (4) mounting screws down on fireplace chassis.
10. Screw the two (2) supplied #8 square head screws through two of the permanent mounting holes which align with a wall stud.
11. Carefully replace and install

🔧 Fireplace Installation

partially reflective glass and glass brackets using screws from step 1.

12. Refer to Front Glass Installation section, for final installation procedures.

In-wall Recessed Installation - 100mm Deep

⚠ CAUTION: Two people may be required for various steps of this procedure.

1. Prepare a wall with a framed opening of 118.1 cm wide x 42 cm high (Figure 4).

! NOTE: The sizing has allowed for 6.4mm around the fireplace insert for ease of installation. This fireplace does not require any additional venting.

2. Choose your method of supplying power to the unit:
 - Plug in (you may run the power cord out of the framed wall opening to an existing outlet or install an outlet on a nearby wall stud within the wall).
 - Hard wire the fireplace.

! NOTE: Hard wiring can be done by removing the plug from the factory fitted cord and

Figure 4

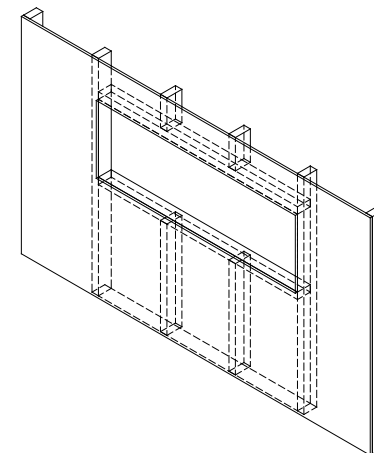
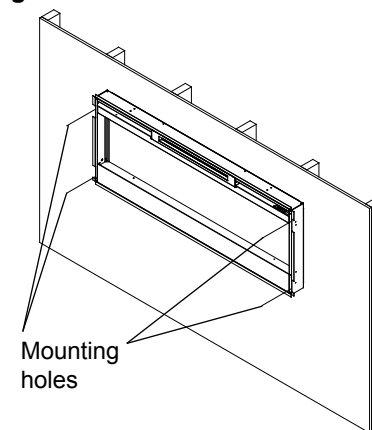
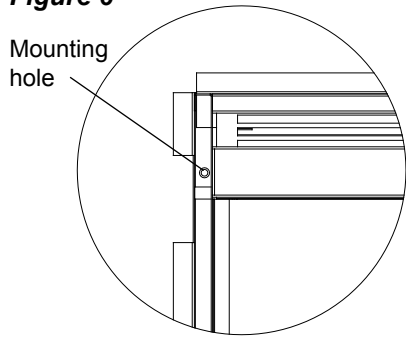


Figure 5



🔧 Fireplace Installation

Figure 6



completing the wiring according to National and Local Electrical Codes.

⚠️ WARNING: Do not attempt to wire your own new outlets or circuits. To reduce the risk of fire, electric shock or injury to persons, always use a licensed electrician.

Ensure that the 3-Position Switch is set to the Off position ("O") and that the circuit on which the fireplace is to be installed has the power cut off at the service panel until installation is complete.

3. Lift fireplace and insert into opening (Figure 5).
4. Use bubble level (supplied) to level the fireplace within the framing. Adjust as required.
5. Drive four (4) supplied mounting screws through the four (4) mounting holes

located in each corner of the fireplace chassis, into wall studs (Figure 6).

6. Refer to Front Glass Installation section, for final installation procedures.

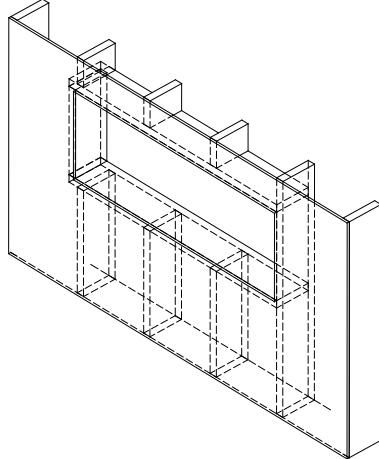
Flush Mounted Installation - 200mm Deep

⚠️ CAUTION: Two people may be required for various steps of this procedure.

1. Prepare a wall with a framed opening of 124.5 cm wide x 47 cm high (Figure 7).

! NOTE: The sizing has allowed for 6.4mm around the fireplace

Figure 7



🔧 Fireplace Installation

insert for ease of installation. This fireplace does not require any additional venting.

2. Choose your method of supplying power to the unit:
 - Plug in (you may run the power cord out of the framed wall opening to an existing outlet or install an outlet on a nearby wall stud within the wall).
 - Hard wire the fireplace.

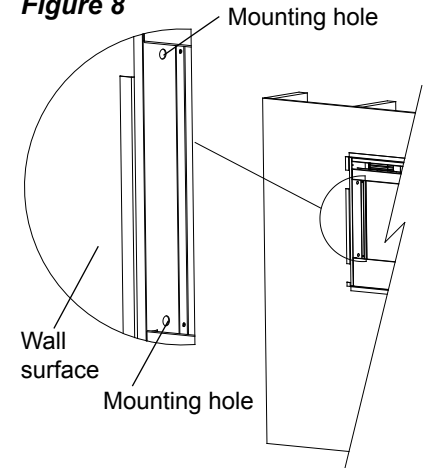
! NOTE: Hard wiring can be done by removing the plug from the factory fitted cord and completing the wiring according to National and Local Electrical Codes.

⚠️ WARNING: Do not attempt to wire your own new outlets or circuits. To reduce the risk of fire, electric shock or injury to persons, always use a licensed electrician.

Ensure that the 3-Position Switch is set to the Off position ("O") and that the circuit on which the fireplace is to be installed has the power cut off at the service panel until installation is complete.

3. Lift fireplace and insert into opening. The fireplace's mounting trim should be flush against the wall (Figure 8).

Figure 8



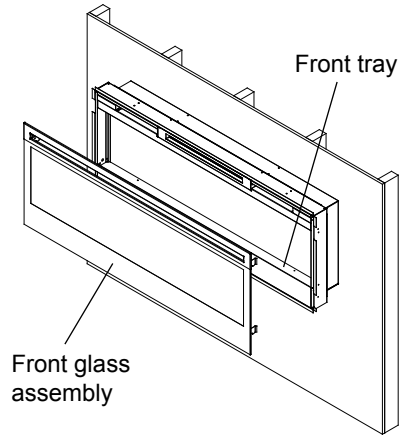
4. Use bubble level (supplied) to level the fireplace within the framing. Adjust as required.
5. Drive four (4) supplied mounting screws through the four (4) mounting holes located on the inside surface of the fireplace chassis, into wall studs (Figure 8).
6. Refer to Front Glass Installation section, for final installation procedures.

Front Glass Installation

1. Evenly distribute supplied glass rock on the front tray of the fireplace (Figure 9).
2. Carefully mount front glass assembly so that the front

🔧 Fireplace Installation

Figure 9



glass hooks (4) hang on the front glass mounts on the fireplace (4) (Figure 10).

3. Use the supplied two (2) Phillips sheet metal screws to fasten the glass assembly tabs to the fireplace (Figure 11).
4. Ensure the fireplace's 3-Position Switch is switched to the Off position ("O").
5. If unit is not hard-wired, plug fireplace into a 13 Amp, 230 Volt outlet (refer to NOTE 1).

Figure 10

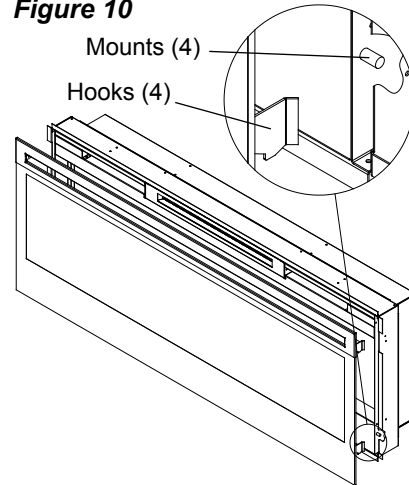
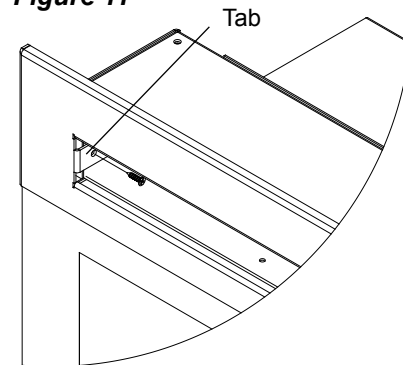


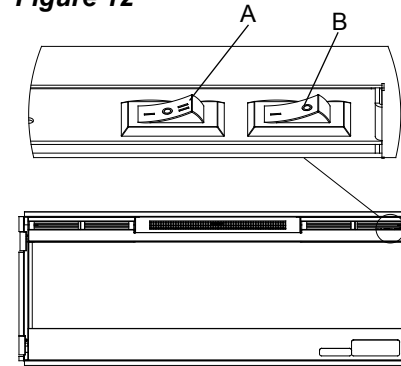
Figure 11



🔑 Operation

The manual controls for the electric fireplace are located on the right side of the unit and inside the air intake slot (Figure 12).

Figure 12



A. 3-Position Switch

The switch has two (2) On positions marked with "I" and "II". The "I" position is for manual operation. In this position the built-in remote control is bypassed.

The "II" position is for operating the unit with the provided remote control. When in "II" position the unit is operated with the ON and OFF buttons of the remote control.

When the switch is in the center ("O") position the unit is off.

B. Heat On/Off Switch

The Heat On/Off Switch supplies power to the heater fan and the heater element.

Resetting the Temperature Cutoff Switch

Should the heater overheat, an automatic cut out will turn the fireplace off and it will not come back on without being reset. It can be reset by switching the 3-Position Switch to Off and waiting five (5) minutes before switching the unit back on.

⚠ CAUTION: If you need to continuously reset the heater, disconnect power and contact your local dealer.

Remote Control (Figure 13)

The fireplace is supplied with an integrated on/off remote control. Where the maximum range of use is ~15m.

⚠ WARNING: It takes time for the receiver to respond to the remote control. Do not press the buttons more than once within two seconds for correct operation.

! NOTE: Ensure that the fireplace 3-Position Switch is set to the remote control setting ("II").

Operation

Figure 13



To operate, push the ON button to turn fireplace on, push the OFF button to turn the fireplace off.

Battery Replacement

To replace the battery:

1. Slide battery cover open on the back of the remote control.
2. Install AAA batteries into the remote control.
3. Replace the battery cover.

Discard leaky batteries. Dispose of batteries in the proper manner according to provincial and local regulations. Any battery may leak electrolyte if mixed with a different battery type, if inserted incorrectly, if all the batteries are not replaced at the same time, if disposed of in a fire, or if an attempt is made to charge a battery not intended to be recharged.

Maintenance

⚠ WARNING: Disconnect power before attempting any maintenance or cleaning to reduce the risk of fire, electric shock or damage to persons.

Partially Reflective Glass Cleaning

The partially reflective glass is cleaned in the factory during the assembly operation. During shipment, installation, handling, etc., the partially reflective glass may collect dust particles; these can be removed by dusting lightly with a clean dry cloth.

To remove fingerprints or other marks, the partially reflective glass can be cleaned with a damp cloth. The partially reflective glass

should be completely dried with a lint free cloth to prevent water spots. To prevent scratching, do not use abrasive cleaners.

Fireplace Surface Cleaning

Use only a damp cloth to clean painted surfaces of the fireplace. Do not use abrasive cleaners.

Servicing

Except for installation and cleaning described in this manual, an authorized service representative should perform any other servicing.

Warranty

Dimplex Electric Fireplaces are tested and inspected prior to shipment and are guaranteed from defect to the purchaser of each new product. Any part which proves to be defective in material or workmanship under normal use within one year will be repaired or replaced without charge.* The Company will not be responsible for any expense incurred for installation, removal for service, or transportation costs. Any such defect should be brought to the attention of the Dealer where the product was purchased and is authorized to repair or replace within the terms of this warranty.

The Company's only obligation under this warranty will be at its sole option to repair or replace any part proving defective or to refund the purchase price thereof.

The owner/user assumes all other risks, if any, including the risk of any direct, indirect or consequential loss or damage arising out of the use of or inability to use the product.

The warranty will not apply if, in the sole judgment of the Company, damage or failure has resulted from accident, alteration, misuse, abuse, incorrect installation, or operation on an incorrect power source.

The foregoing is in lieu of all other warranties expressed, implied, or statutory, and the Company neither assumes, nor authorizes any person to assume for it any other

obligation, or liability in connection with said product.

*Light bulbs are not covered in the warranty.

Service

Contact your local dealer for service or warranty information.

Recycling

For electrical products sold in the European Community. At the end of the electrical product's useful life it should not be disposed of with household waste. Please recycle where facilities exist. Check with your Local Authority or retailer for recycling advice in your country.



After Sales Service

Your product is guaranteed for one year from the date of purchase.

Within this period, we undertake to repair or exchange this product free of charge (subject to availability) provided it has been installed and operated in accordance with these instructions.

Your rights under this guarantee are additional to your statutory rights, which in turn are not affected by this guarantee.

Should you require after sales information or assistance with this


Warranty

product please go to www.dimplex.co.uk where you will find our self help guide by clicking on "After Sales" or ring our helpdesk on 0844 879 3588 (UK) or 01 842 4833 (R.O.I.) .

Spare parts are also available on the website :

www.dimplex.co.uk

Please retain your receipt as proof of purchase.

 The product complies with the European Safety Standard EN60335-2-30 and the European Standard for Electromagnetic Compatibility (EMC) EN55014, EN61000 and EN50366 which cover the essential requirements of EEC Directives 2006/95 and 2004/108.

DIMPLEX
MILLBROOK HOUSE
GRANGE DRIVE
HEDGE END
SOUTHAMPTON
SO30 2DF

TEL: 0844 879 3588
FAX: 0844 879 3583

WEBSITE: www.dimplex.co.uk

Republic of Ireland Tel.01 8424833

[c] GDC Group Ltd.

All rights reserved. Material contained in this publication may not be reproduced in whole or in part, without prior permission in writing of Dimplex.

A division of GDC Group Ltd.