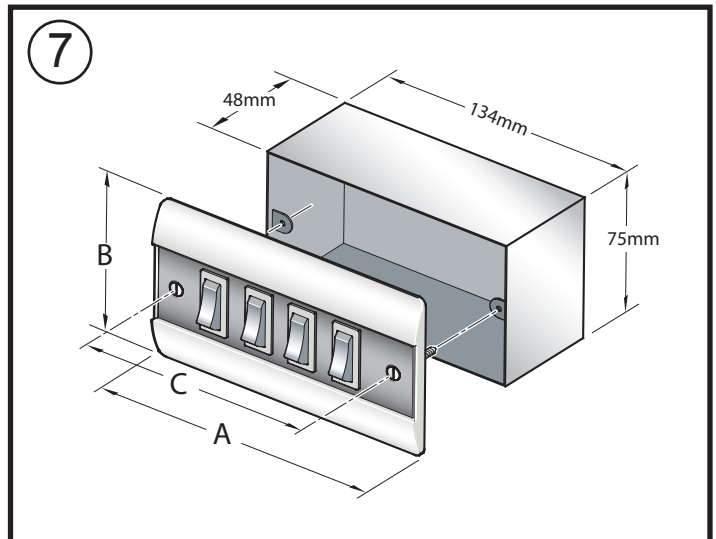
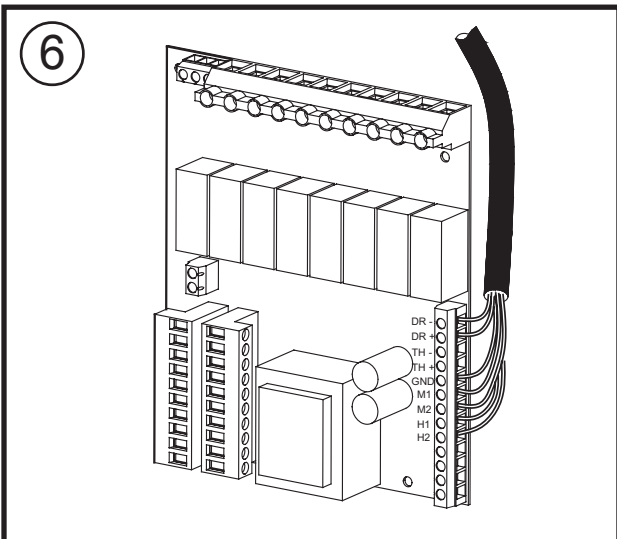
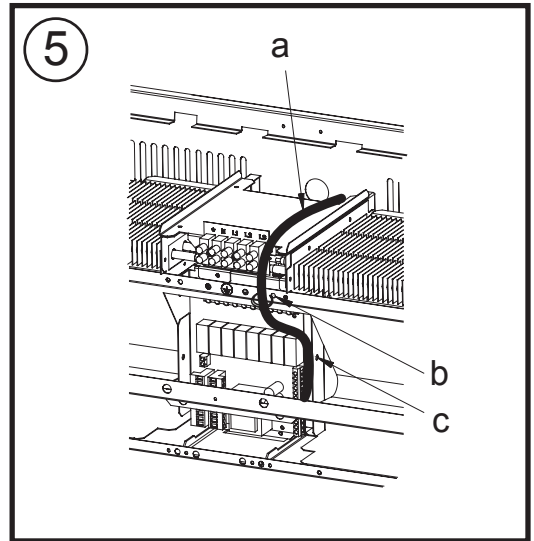
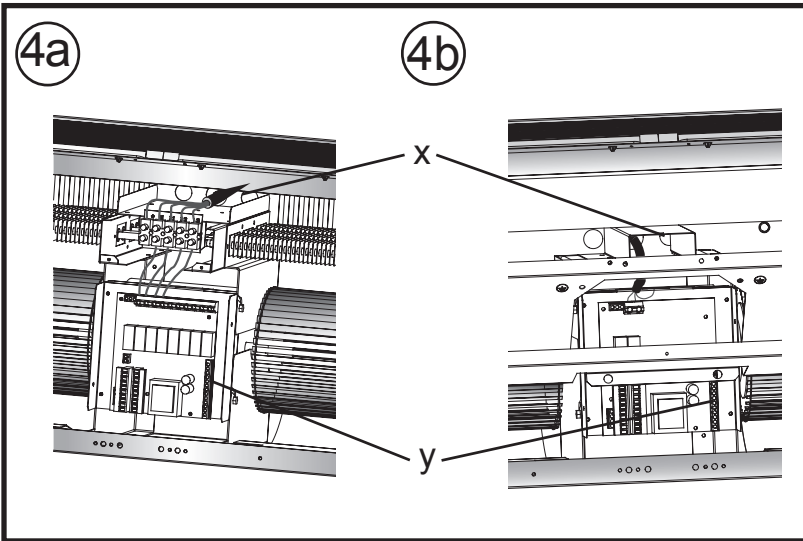
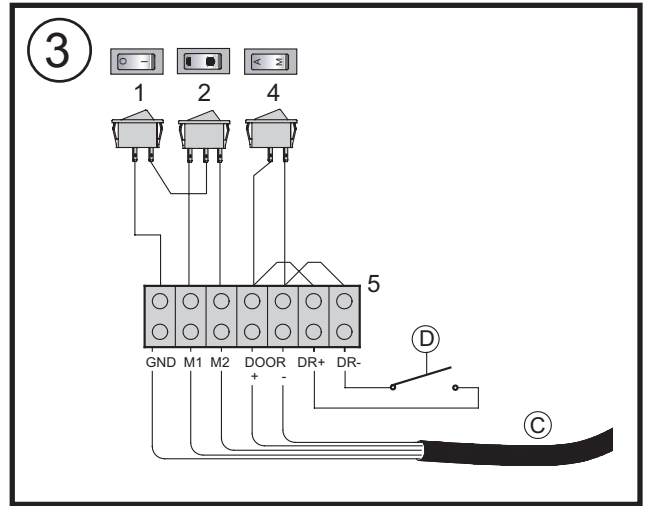
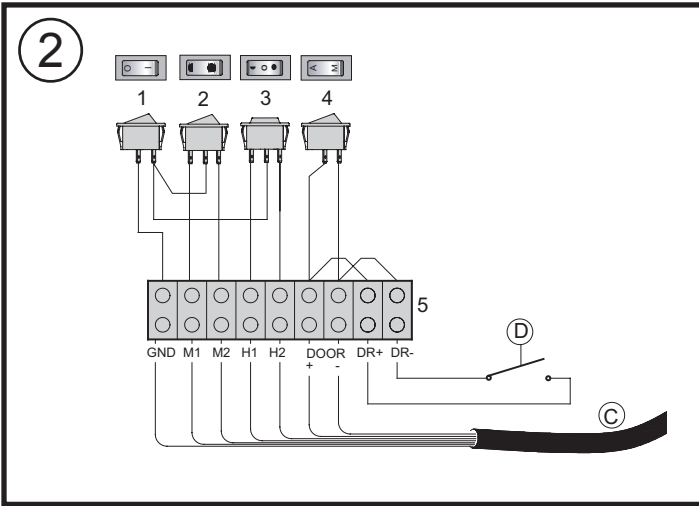
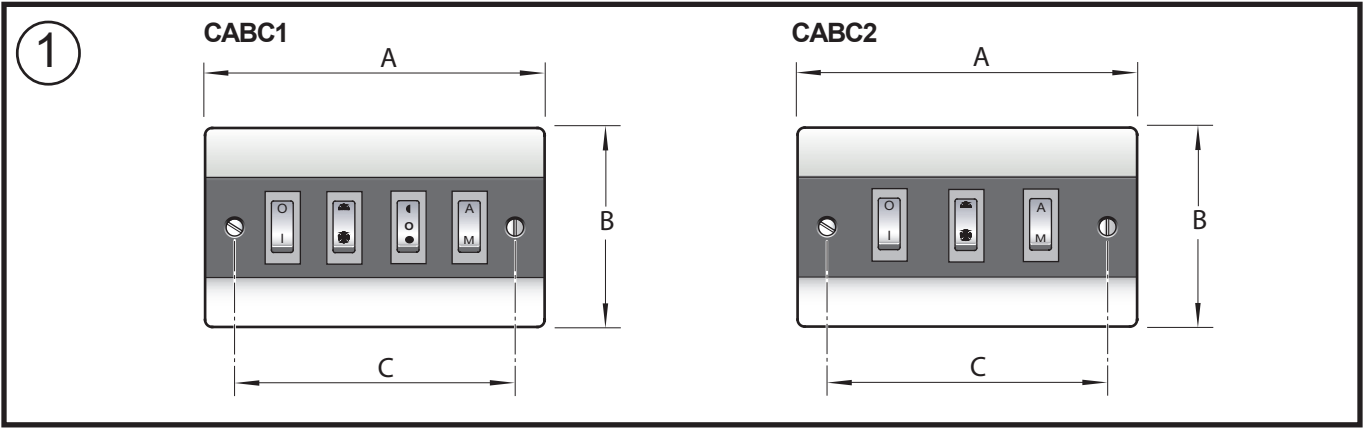


# **Dimplex**

## **CABC1 & CABC2**





# Installation and Operating Instructions

## Dimplex Air Barrier - Switch Panels Models : CABC1 & CABC2

**IMPORTANT : THESE INSTRUCTIONS SHOULD BE READ CAREFULLY AND RETAINED FOR FUTURE REFERENCE**

Model(s)		A	B	C
<b>CABC1</b>	(All Electrically Heated CAB & DAB models)	145mm	85mm	120mm
<b>CABC2</b>	(All Water & Ambient Heated CAB & DAB models)	145mm	85mm	120mm

( see Fig. 1 )

### Important Safety Advice

Always disconnect the supply before working on the product.

This product should be mounted safely onto a suitable wall.

Ensure that cables are of adequate current carrying capacity.

The switch module should not be installed in a toilet or washroom.

**WARNING: Isolate electrical supply to ALL modular linked units when carrying out maintenance.**

### Electrical

The installation of this appliance should be carried out by a competent electrician and be in accordance with the current IEE wiring regulations.

### Installation

The backing box (standard double gang) should be rebated into a suitable wall - Fig. 7. The box should be fitted so that the switch panel will be flush with the wall. Suitable conduit should be used where applicable to carry the cable between the heater and the switch panel.

The cable used to connect the heater to the low voltage switch panel should have sufficient cores to allow connection as per the enclosed wiring diagram and be of a size between 0.22mm<sup>2</sup> and 1.0mm<sup>2</sup>.

(Typically 9 core for electrically heated models and 5 core for water heated / ambient models).

Test all switch settings once installation is complete.

### Connections – To the Switch Panel

The cable should be connected as per the Wiring Diagrams shown - see Fig. 2 for CABC1 and Fig. 3 CABC2.

Tip: When stripping back the switch cable make note of the numbering or colours of the wires and their associated connections to the terminal block.

### Wiring

see Fig. 2 for Wiring Diagram for CABC1 Model

Switch No.	Description
1	ON - OFF
2	LOW FAN - HIGH FAN
3	FULL HEAT - NO HEAT - HALF HEAT
4	MANUAL - AUTOMATIC
5	TERMINAL BLOCK
C	CABLE TO PCB (NOT SUPPLIED)
D	DOOR SWITCH (NOT SUPPLIED)

see Fig. 3 for Wiring Diagram for CABC2 Model

Switch No.	Description
1	ON - OFF
2	LOW FAN - HIGH FAN
4	MANUAL - AUTOMATIC
5	TERMINAL BLOCK
C	CABLE TO PCB (NOT SUPPLIED)
D	DOOR SWITCH (NOT SUPPLIED)

### Connections – To the appliance's PCB

Gain access to the PCB by removing the outlet grilles, bottom panel and pressure plate - refer to the CAB/DAB Installation and Operating Instructions.

Remove a 'knock out' from the centre of the top panel of the heater (see 'x' in Fig. 4a for the Electric model and 'x' in Fig. 4b for the Water/Ambient model) and feed the switch cable ('a' in Fig. 5) into the heater using an appropriate cable gland (not supplied) to fix the cable. Replace the pressure plate (on 'CAB' model only) and tie the cable using the tie wrap and fixing clip supplied to the pressure plate at 'b' in Fig. 5. If necessary tie the stripped cable at 'c' in Fig. 5.

**WARNING: Ensure cable path does not come into contact with heater element.**

Connect the cable to the appropriate connections - see 'y' in Fig. 4a and Fig. 4b. See Fig. 6 for detail view of PCB connection. Replace the bottom panel and air outlet grilles.

### Operation

The desired setting can be obtained through switch selection. Refer to the CAB/DAB instruction leaflet for further details.

### Recycling



For electrical products sold within the European Community.

At the end of the electrical products useful life it should not be disposed of with household waste. Please recycle where facilities exist. Check with your Local Authority or retailer for recycling advice in your country.

### Cleaning

**WARNING: DISCONNECT SUPPLY before carrying out maintenance.**

External appearance can be maintained by wiping occasionally with a damp cloth ; for stain removal, a weak soap solution can be applied with a cloth and the surface wiped dry. Care must be taken to avoid any moisture ingress into the product.

### After Sales Service


Your product is guaranteed for three years from the date of purchase. Within this period, we undertake to repair or exchange this product free of charge provided it has been installed and operated in accordance with these instructions.

Your rights under this guarantee are additional to your statutory rights, which in turn are not affected by this guarantee.

Should you require after sales service you should contact our customer services help desk on 0870 727 0101. It would assist us if you can quote the model number, series, date of purchase, and nature of the fault at the time of your call. The customer services help desk will also be able to advise you should you need to purchase any spares.

Please do not return a faulty product to us in the first instance as this may result in loss or damage and delay in providing you with a satisfactory service.

**Please retain your receipt as proof of purchase.**

 The product complies with the European Safety Standards EN60335-2-30 and the European Standard Electromagnetic Compatibility (EMC) EN55014, EN60555-2 and EN60555-3 which cover the essential requirements of EEC Directives 73/23 and 89/336

---

Glen Dimplex UK Limited  
Millbrook House  
Grange Drive  
Hedge End  
Southampton  
Hampshire. SO30 2DF

UK customer help line (8.00AM – 6.00PM Mon-Fri; 8.30AM-1.00PM Sat)

Customer Services:	Tel.	0870 7270101
	Fax.	0870 7270102
	e-mail	<a href="mailto:customer.services@glendimplex.com">customer.services@glendimplex.com</a>
Republic of Ireland	Tel.	01 8424833

[c] Glen Dimplex UK Limited

All rights reserved. Material contained in this publication may not be reproduced in whole or in part, without prior permission in writing of Glen Dimplex UK Limited.