

## CAB Ambient models

### Technical Specifications



	CAB10A	CAB15A	CAB20A**
<b>*Max mounting height (m)</b>	3.0	3.0	3.0
<b>Air volume (m³/h)</b>			
speed 1	1200	1800	2400
speed 2	760	1040	1520
<b>Maximum air flow (m/s)</b>			
speed 1	9.0	9.0	9.0
speed 2	5.7	5.2	5.7
<b>****Air off temp. (°C)</b>			
speed 1	-	-	-
speed 2	-	-	-
<b>Heat output (kW)</b>	-	-	-
<b>Flow rate (l/s)</b>	-	-	-
<b>Pressure drop (kPa)</b>	-	-	-
<b>***dB(A) level @ 3.0m</b>			
speed 1	54	55	56
speed 2	50	51	52
<b>Supply rating (*per phase) (A)</b>	0.3	0.5	0.3 per unit
<b>Supply voltage (50Hz)</b>	230V~ 1P&N	230V~ 1P&N	230V~ 1P&N per unit
<b>IP Rating</b>	IPX0	IPX0	IPX0
<b>Weight (kg)</b>	15.5	21.5	31.0

\* Optimum mounting height 2.7m. \*\* Dimplex modular range supplied as two units  
 \*\*\*dB (A) level measured outside of air stream.



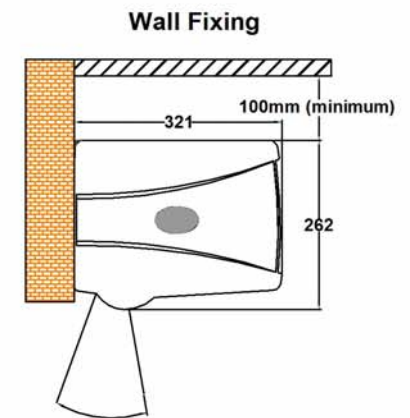
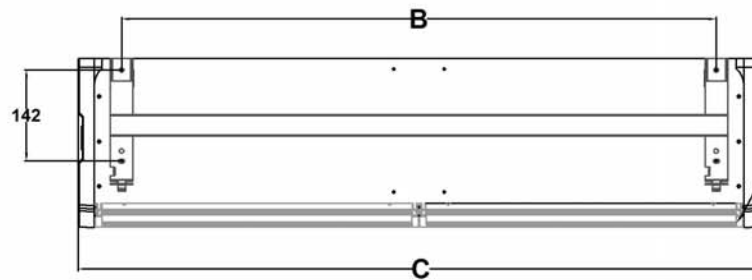
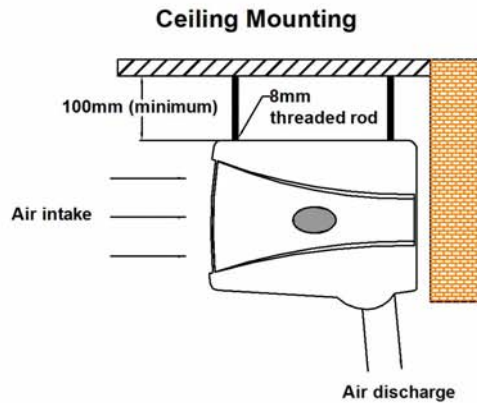
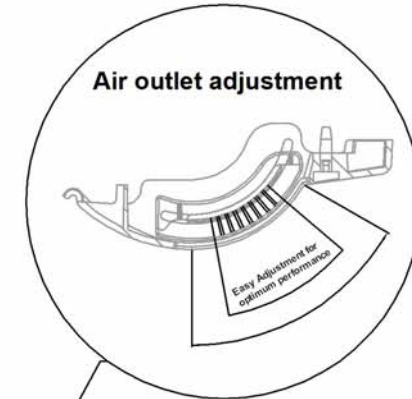
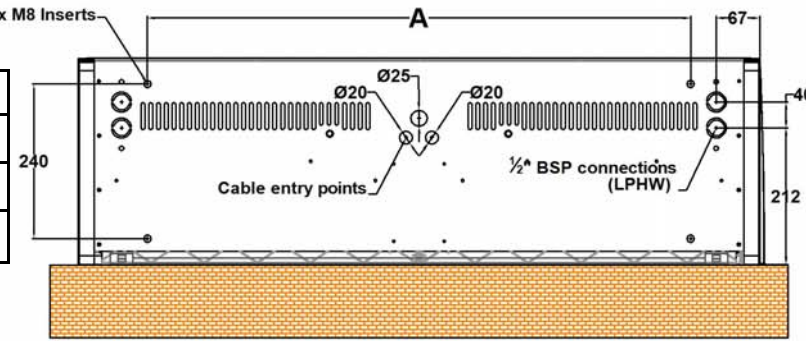
# CAB Ambient models

## Dimensional Specifications



Commercial Products

Dimension	A	B	C
CAB10	840	920	1057
CAB15	1260	1420	1557
CAB20**	840 (x2)	1260 (x2)	2114



Note: A clearance distance of 200mm must be provided adjacent to the air intake grille.  
All dimensions are in mm, unless otherwise stated. \*\* CAB20 consists of 2 units

