

# CAB (Recessed) Electric models

## Technical Specifications



	CAB10ER	CAB15ER	CAB20ER**
<b>*Max mounting height (m)</b>	3.0	3.0	3.0
<b>Air volume (m³/h)</b>			
speed 1	1200	1800	2400
speed 2	760	1040	1520
<b>Maximum air flow (m/s)</b>			
speed 1	9.0	9.0	9.0
speed 2	5.7	5.2	5.7
<b>****Air off temp. (°C)</b>			
speed 1	43.7	43.7	43.7
speed 2	56.8	60.3	56.8
<b>Heat output (kW)</b>	4.5/9.0	6.75/13.5	9.0/18.0
<b>Flow rate (l/s)</b>	–	–	–
<b>Pressure drop (kPa)</b>	–	–	–
<b>***dB(A) level @ 3.0m</b>			
speed 1	54	55	56
speed 2	50	51	52
<b>Supply rating (# per phase) (A)</b>	#13.5	#20.0	# 13.5 per unit
<b>Supply voltage (50Hz)</b>	400V~ 3P&N	400V~ 3P&N	400V~ 3P&N per unit
<b>IP Rating</b>	IPX0	IPX0	IPX0
<b>Weight (kg)</b>	26.0	35.0	54.5

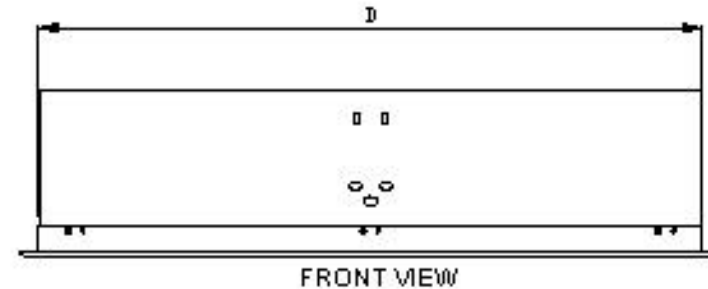
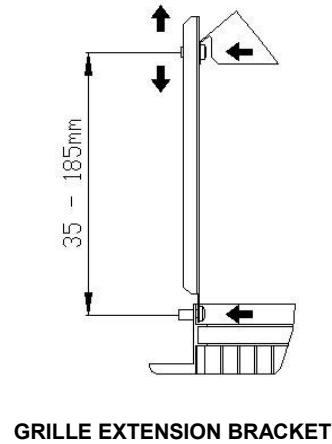
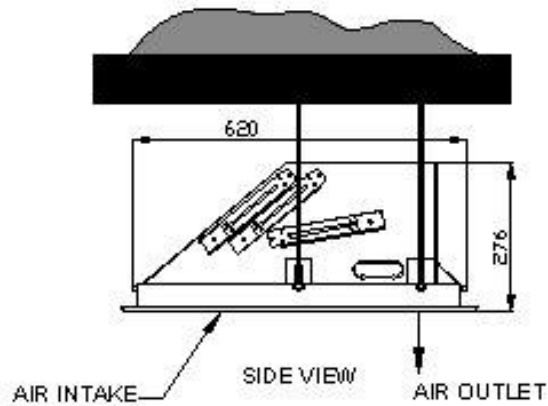
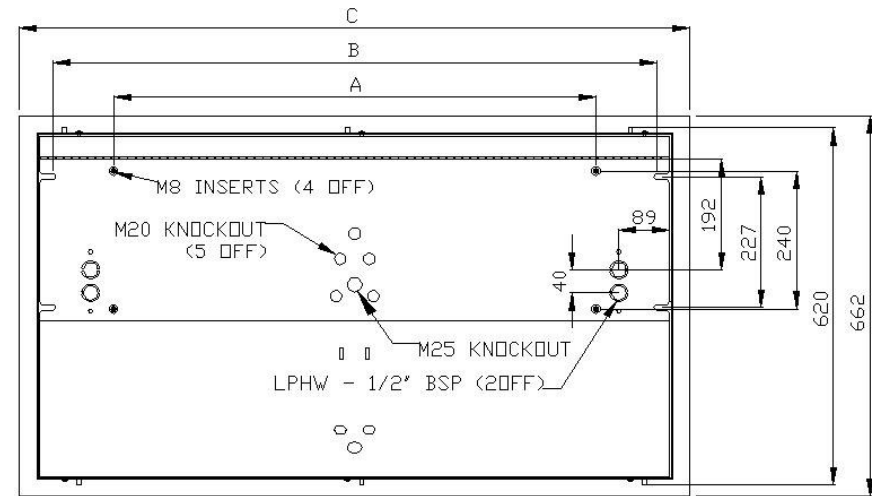
\* Optimum mounting height 2.7m. \*\* Dimplex modular range supplied as two units  
 \*\*\*dB (A) level measured outside of air stream. \*\*\*\*Based upon an ambient of 21°C.



# CAB (Recessed) Electric models

## Dimensional Specifications

	CAB10	CAB15	CAB20~
<b>Dimension A</b>	840	1340	840 x 2
<b>Dimension B</b>	1052	1552	1052 x 2
<b>Dimension C</b>	1168	1718	2343
<b>Dimension D</b>	1106	1656	2281



Note: All dimensions are in mm, unless otherwise stated.