

CAB Electric models

Technical Specifications



	CAB10E	CAB15E	CAB20E**
*Max mounting height (m)	3.0	3.0	3.0
Air volume (m³/h)			
speed 1	1200	1800	2400
speed 2	760	1040	1520
Maximum air flow (m/s)			
speed 1	9.0	9.0	9.0
speed 2	5.7	5.2	5.7
****Air off temp. (°C)			
speed 1	43.7	43.7	43.7
speed 2	56.8	60.3	56.8
Heat output (kW)	4.5/9.0	6.75/13.5	9.0/18.0
Flow rate (l/s)	–	–	–
Pressure drop (kPa)	–	–	–
***dB(A) level @ 3.0m			
speed 1	54	55	56
speed 2	50	51	52
Supply rating (# per phase) (A)	#13.5	# 20.0	# 13.5 per unit
Supply voltage (50Hz)	400V~ 3P&N	400V~ 3P&N	400V~ 3P&N per unit
IP Rating	IPX0	IPX0	IPX0
Weight (kg)	20.5	29.0	41.0

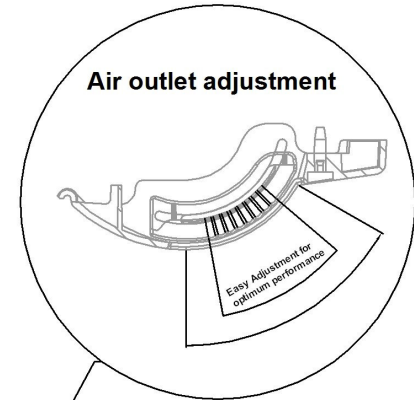
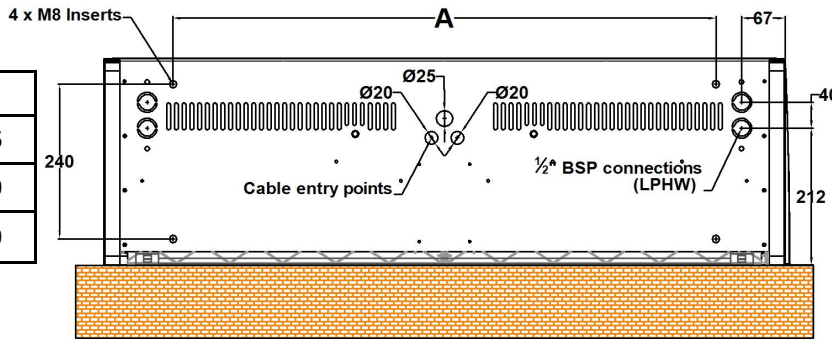
* Optimum mounting height 2.7m. ** Dimplex modular range supplied as two units
 dB (A) level measured outside of air stream. *Based upon an ambient of 21°C.



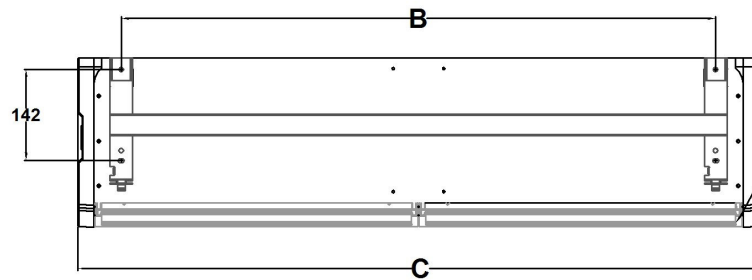
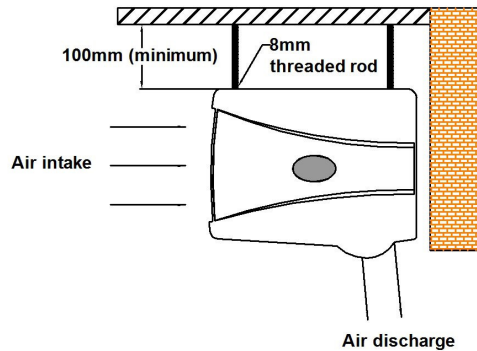
CAB Electric models

Dimensional Specifications

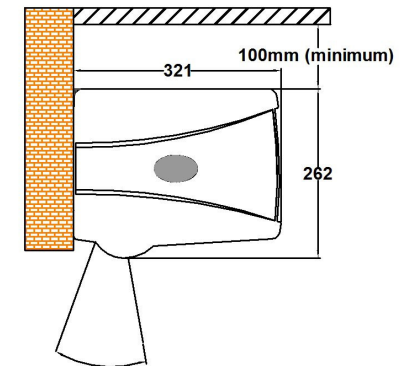
Dimension	A	B	C
CAB10	840	920	1065
CAB15	1260	1420	1569
CAB20**	840 (x2)	1260 (x2)	2130



Ceiling Mounting



Wall Fixing



Note: A clearance distance of 200mm must be provided adjacent to the air intake grille.
All dimensions are in mm, unless otherwise stated. ** CAB20 consists of 2 units