

CAB LPHW models

Technical Specifications



	CAB10W	CAB15W	CAB20W**
*Max mounting height (m)	3.0	3.0	3.0
Air volume (m³/h)			
speed 1	1100	1700	2200
speed 2	687	978	1374
Maximum air flow (m/s)			
speed 1	8.0	8.0	8.0
speed 2	5.0	4.6	5.0
****Air off temp. (°C)			
speed 1	44.0	44.0	44.0
speed 2	48.3	48.8	48.3
***Heat output (kW)	9.0	13.5	18.0
Flow rate (l/s)	0.2	0.3	0.2 per unit
Pressure drop (kPa)	6.8	1.9	6.8 per unit
****dB(A) level @ 3.0m			
speed 1	53	54	55
speed 2	49	50	51
Supply rating (*per phase) (A)	0.3	0.5	0.3 per unit
Supply voltage (50Hz)	230V~ 1P&N	230V~ 1P&N	230V~ 1P&N per unit
IP Rating	IPX0	IPX0	IPX0
Weight (kg)	18.0	24.5	36.0

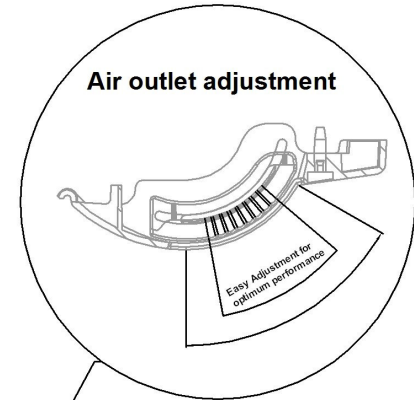
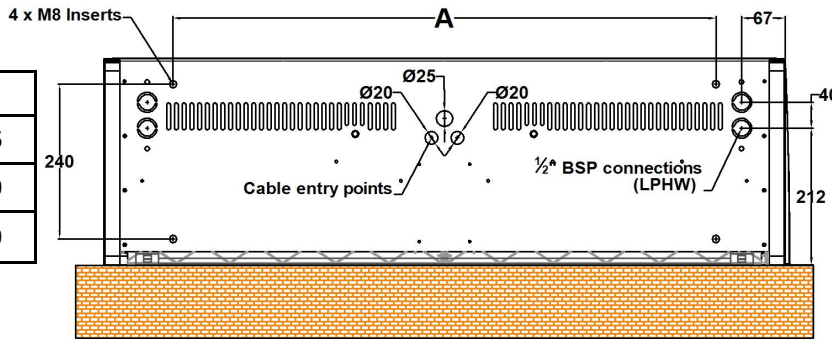
* Optimum mounting height 2.7m. ** Dimplex modular range supplied as two units
 ***Heat output for water heated models is based upon a flow and return temperature of 82-71°C.
 ****dB (A) level measured outside of air stream. *****Based upon an ambient of 21°C.



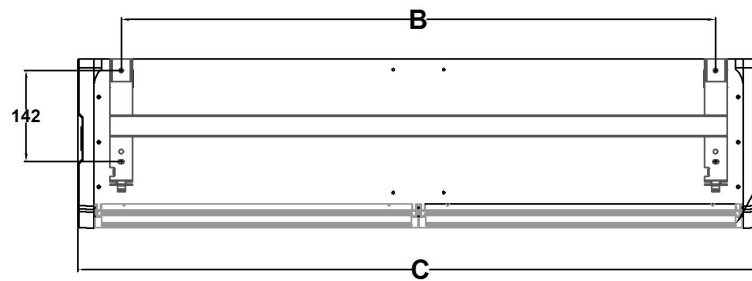
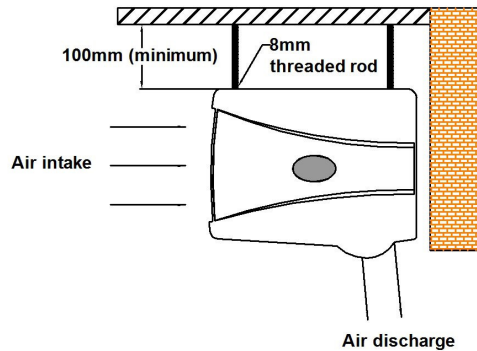
CAB LPHW models

Dimensional Specifications

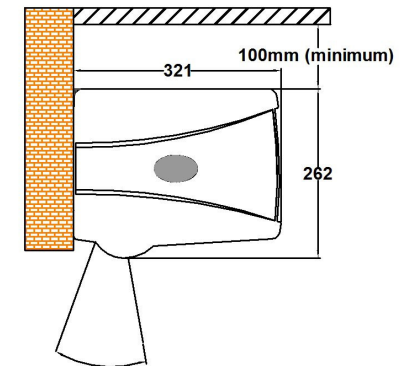
Dimension	A	B	C
CAB10	840	920	1065
CAB15	1260	1420	1569
CAB20**	840 (x2)	1260 (x2)	2130



Ceiling Mounting



Wall Fixing



Note: A clearance distance of 200mm must be provided adjacent to the air intake grille.
All dimensions are in mm, unless otherwise stated. ** CAB20 consists of 2 units