

Contact Details

Please note that some of the contact details on this PDF document may not be current.

Please use the following details if you need to contact us:

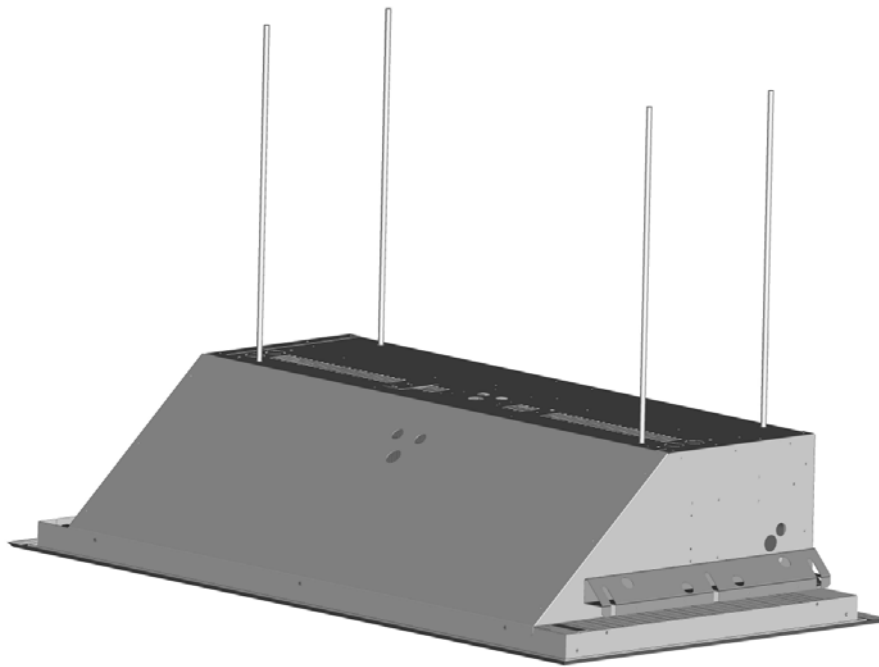
Telephone: 0844 879 3588

Email: customer.services@gdcgroup.co.uk

The customer support section of our website also features a wide range of information which may be of use to you and is available 24 hours a day. It includes:

- Operating and installation instructions
- Easy 'How to use' guides for storage heaters
- Service and repairs
- Where to buy our products
- Literature downloads
- Heating requirement calculator

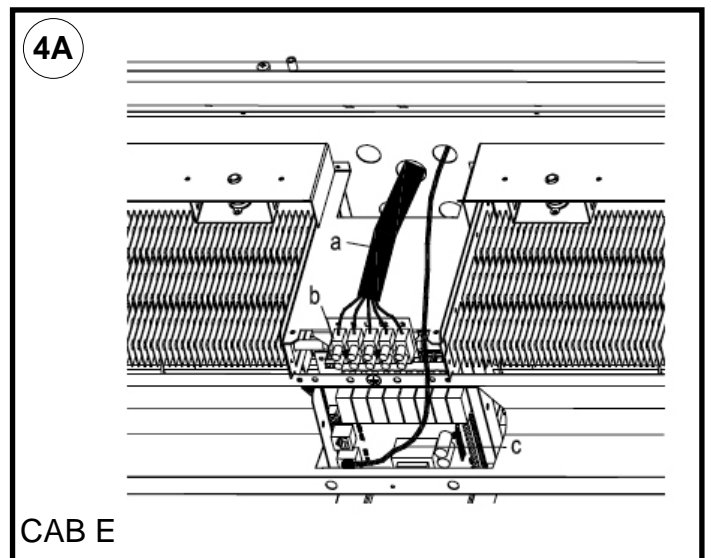
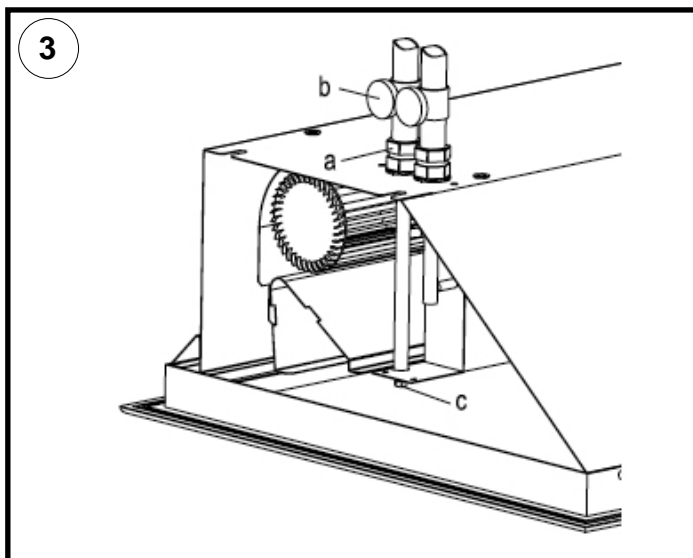
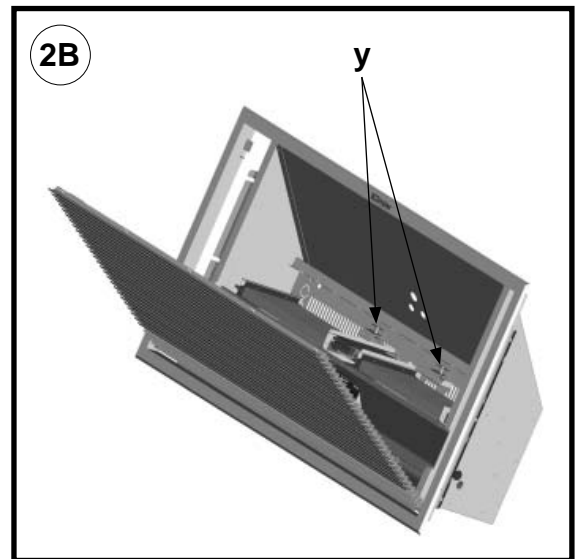
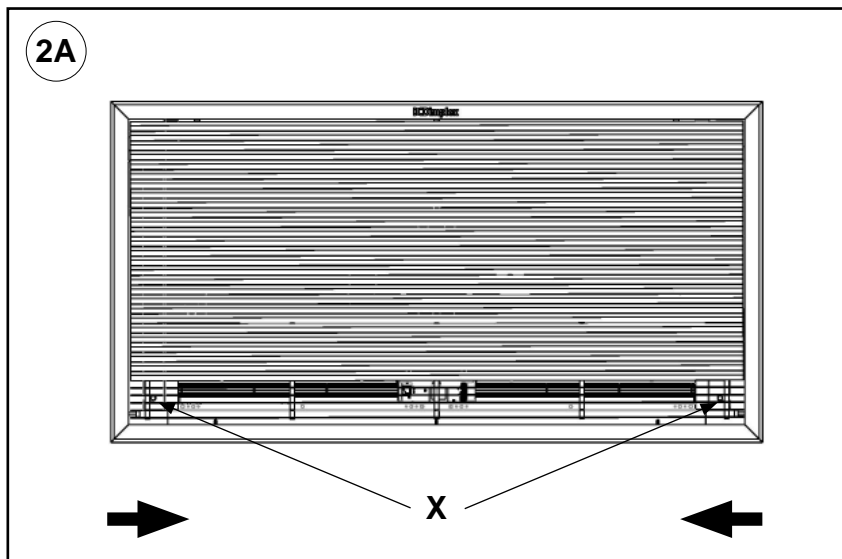
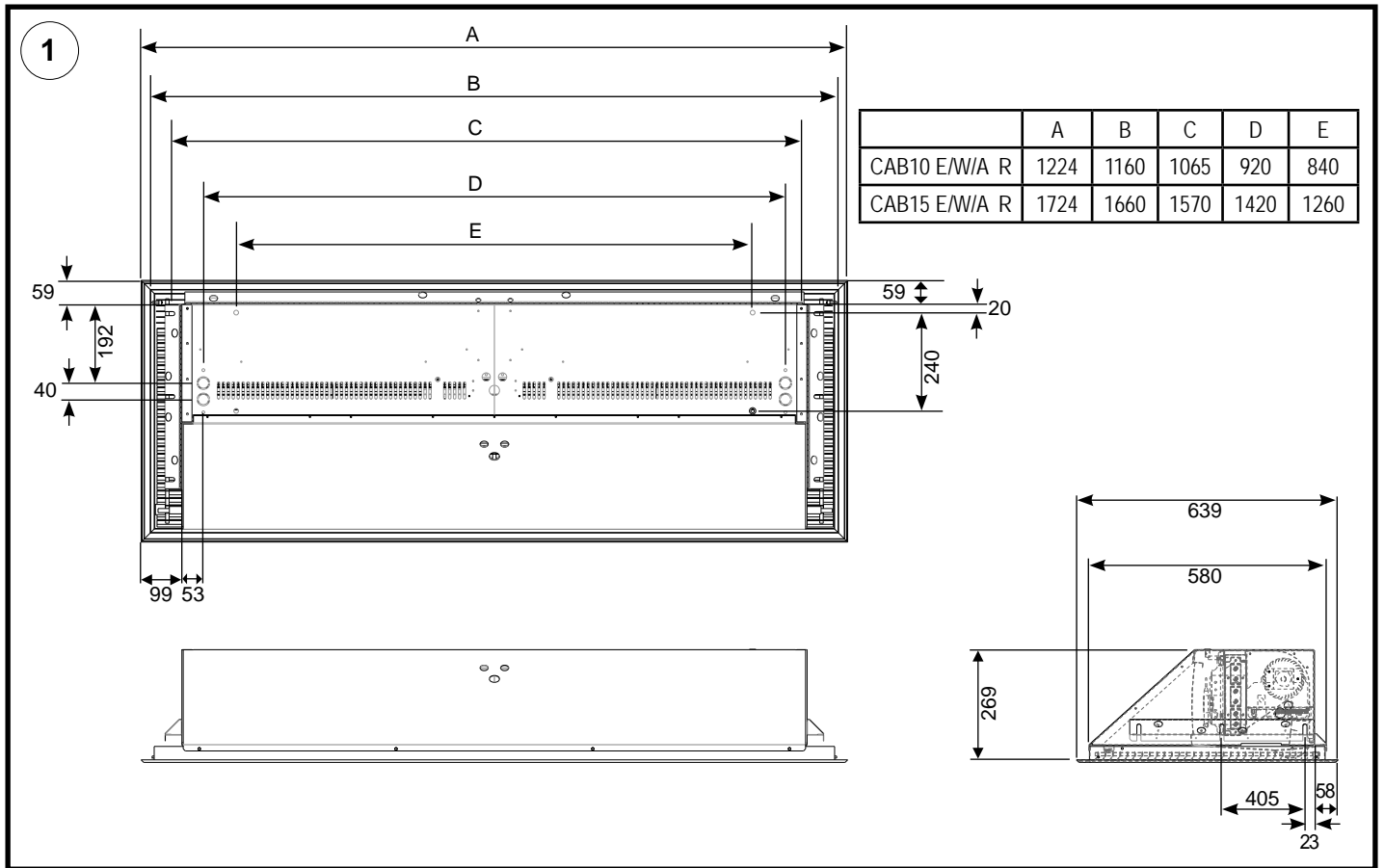
Visit - www.dimplex.co.uk/support



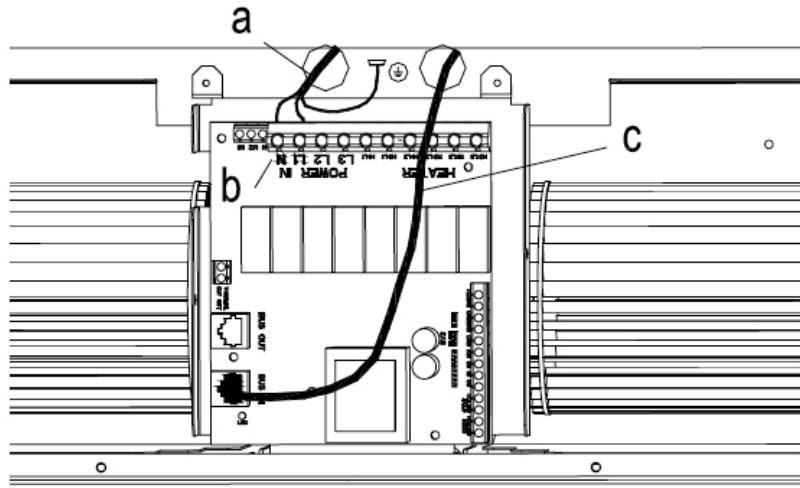
CABR

**CAB10AR, CAB10ER, CAB10WR,
CAB15AR, CAB15ER & CAB15WR**

08/50590/0 (UK) Issue 2

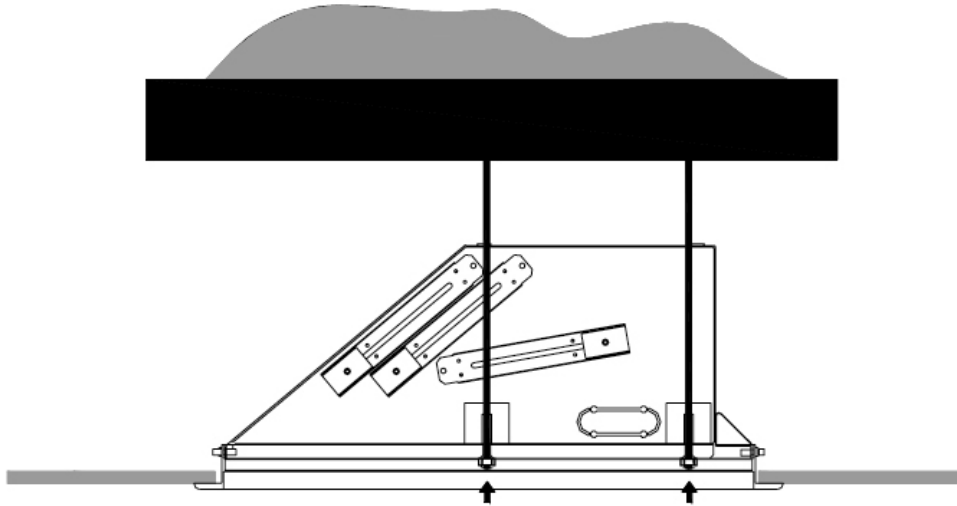


4B



CAB W/A

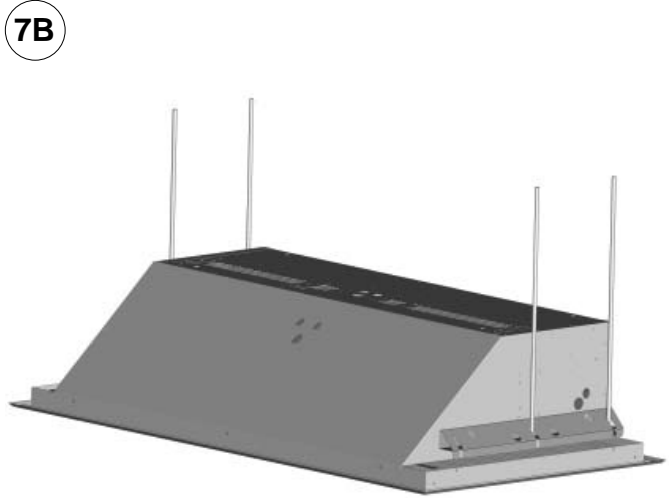
5



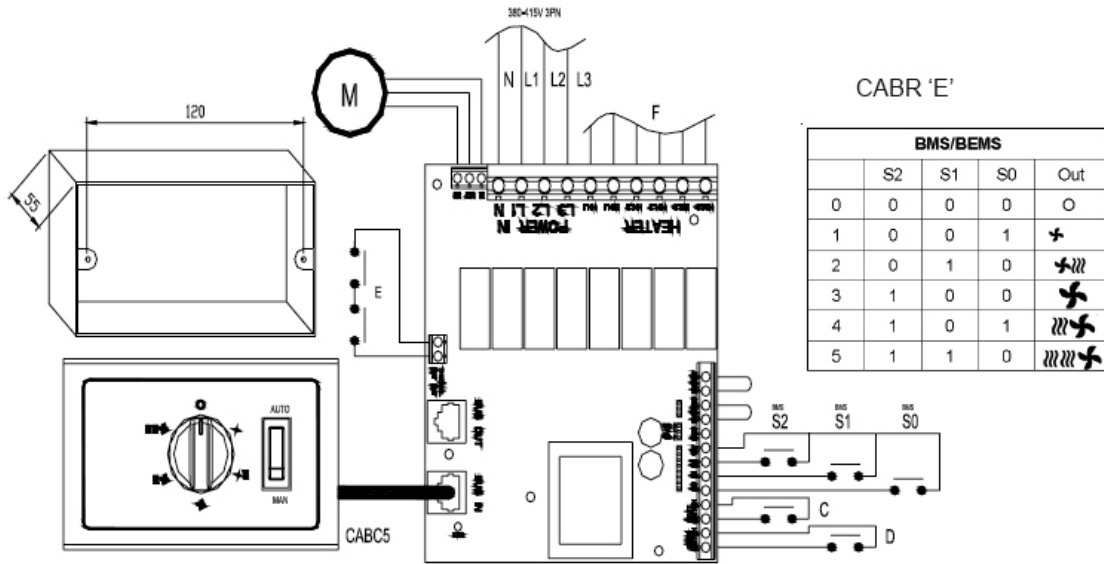
7A



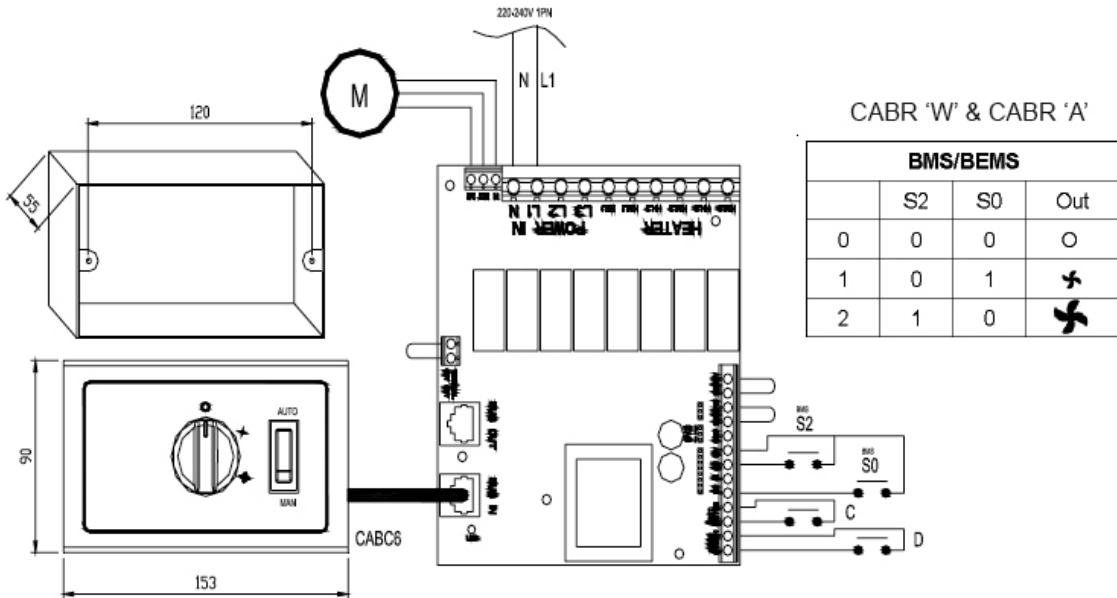
7B



8



9



Dimplex Compact Air Curtains

**Models : CAB10ER, CAB10WR, CAB10AR
CAB15ER, CAB15WR & CAB15AR**

IMPORTANT: THESE INSTRUCTIONS SHOULD BE READ CAREFULLY AND RETAINED FOR FUTURE REFERENCE

IMPORTANT SAFETY ADVICE

DO NOT COVER OR OBSTRUCT the air inlet or outlet grille.

ENSURE THE APPLIANCE IS EARTHED.

Do not use this heater in areas where excessive dust exists.

This heater must not be located immediately above or below a fixed socket outlet or connection box.

Always disconnect supply before working on the product.

This appliance should only be connected to the fixed wiring of the premises by means of conduit.

This product should only be mounted safely to solid ceiling surfaces.

This product must not be subjected to water spray or immersion.

Ensure the supply cables are of adequate current carrying capacity and are protected by a suitable fuse.

If the appliance is mounted in a toilet or washroom, the appliance should be mounted such that no part of it can be touched by a person using a fixed bath or shower.

If the appliance is mounted in a toilet or washroom an isolating switch must be provided outside the washroom adjacent to the entrance door.

This appliance is not intended for use by persons (including children) with reduced physical, sensory or mental capabilities, or lack of experience and knowledge, unless they have been given supervision or instruction concerning use of the appliance by a person responsible for their safety.

WARNING: Isolate electrical supply to ALL modular linked units when carrying out maintenance.

Fixing Positions

This appliance must be mounted to a suitable ceiling - see **Fig. 1** for fixing dimensions and **Fig. 5, 6, or 7** for mounting positions and 'Mounting' sections below for fixing details. This appliance should not be mounted less than 1.8m from the floor.

Mounting into a Standard Ceiling Void

1. Side Fixings - Using a suitable ceiling surface, mark off and drill for M8 drops rods. Dimensions can be found on **Fig.1**. Cut the M8 drop rods to the desired length, taking note of the final position of the appliance relative to the distance to the mounting surface. Mount the drop rods to the ceiling surface. Remove the ceiling tiles on the appliance. (see **Fig. 2**) Using suitable lifting equipment raise up the appliance to the drop rods as shown in **Fig. 5**. Connect the appliance to the drop rods using standard M8 lock nuts and washers.

2. Top Mounted Inserts - If a suitable (unistrut) structure is available, mark off and drill for M8 threaded bolts. Insert the bolts down through the structure. Dimensions can be found on **Fig. 1**. Using suitable lifting equipment raise up the appliance to the bolts. Screw the bolts into the threaded inserts on the top of the appliance, and tighten securely.

Electrical connection

All products are fitted with a microprocessor control. Electrical power and control connections are made as shown in **Fig. 4**. A suitable local isolating switch must be provided in the electrical supply circuit with at least 3mm clearance on each pole. In order to access the electrical connections, remove the outlet grilles ('x' in **Fig. 2**) by undoing the four fasteners in each tile. For the Water heated and Ambient models only, the pressure plate must also be removed.

All Electric Models - Having removed a 'knock out' in the top panel, feed an appropriate supply cable (see 'a' in **Fig. 4A**) through a suitable cable gland (not supplied) fitted in the top panel and attach to the terminal block (see 'b' in **Fig. 4A**).

All Water heated and Ambient Models - Having removed a 'knock out' in the top panel, feed an appropriate supply cable (see 'a' in **Fig.4B**) through a suitable cable gland (not supplied) fitted in the top panel and attach to the PCB (see 'b' in **Fig. 4B**).

Models

Model	Heat Output kW	Electrical Supply	Electrical Load (per phase)	Weight KG	Max Installed height M
AMBIENT / COLD STORE					
CAB10AR	n/a	220-240V -1PN	0.3	20.5	3.0
CAB15AR	n/a	220-240V -1PN	0.5	29.5	3.0
ELECTRICALLY HEATED					
CAB10ER	4.5 / 9.0	380-415V -3PN	14	26	3.0
CAB15ER	6.75 / 13.5	380-415V -3PN	20	35	3.0
WATER HEATED (at 82/71 °C - LPHW)**					
CAB10WR	9.0	220-240V -1PN	0.3	23	3.0
CAB15WR	13.5	220-240V -1PN	0.5	32.5	3.0

This range of air curtains are specifically designed to be recessed into ceiling spaces and above suspended ceilings.

Electrical

The installation of this appliance should be carried out by a competent electrician and be in accordance with the current IEE wiring regulations.

All Models - A suitable cable (CAT5 or equivalent) for a switch panel (kit ref. - CAB5 for electrically heated models or CAB6 for water heated/ambient models) can be similarly introduced through the top panel and plugged into the circuit board as shown in **Fig. 4A & 4B**. If the unit is to be operated in conjunction with a door switch, a normally open switch should be wired as per **'D'** in **Fig. 8 & 9** as appropriate.

Note: If using a door switch, an additional 2 core (low voltage) cable is required between the door switch and the air curtains. If the unit is to be connected to a Building Energy Management System, connections are made as per **'S0, S1, & S2'** in **Fig. 8 & 9** as appropriate.

Water connection

Models designed for use in conjunction with a low pressure hot water supply should be individually connected (in a parallel circuit) to the flow and return pipe-work. Connections (see **'a'** in **Fig. 3**) are: ½" BSPT (CAB series) and isolation valves (see **'b'** in **Fig. 3**) should be fitted as close to the air curtain connection points as possible. For commissioning, air bleed valves (see **'c'** in **Fig. 3**) are fitted to the coil, which can be accessed by removal of the ceiling tile - see **Fig. 2**.

Maximum water supply conditions are 125°C and 8 bar (0.8MPa).

To aid installation, the water coil connections may be moved to either side of the appliance. By removing the water coil and appropriate knockouts the water coil can then be re-inserted into the required orientation. This procedure should be carried out before mounting the appliance.

Switch Panel Installation

The backing box (standard double gang) should be surface mounted onto a suitable wall, alternatively a recessed box can be used (not supplied). Suitable conduit should be used where applicable to carry the cable between the heater and the switch. A CAT5 computer network cable with straight through connections should be used to connect the switch panel to the appliance PCB.

Warning: Ensure cable is secure and the cable path does not come into contact with heater element or other moving parts.

Note: If using a door switch, an additional 2 core (low voltage) cable is required between the door switch and the air curtains. Test all switch settings once installation is complete.

Electrically heated variants

Operation using switch box - CAB5

Switch on electrical supply to the air curtain. Rotate the switch to the desired heat setting. Settings available are;

- OFF
- Low Fan
- Low Fan with Low Heat
- High Fan
- High Fan with Low Heat
- High Fan with Full Heat



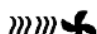
The rocker (auto / manual) switch allows for manual over-ride of a door switch if fitted. Manual allows the appliance to run at the desired setting, while Auto provides an energy saving feature by shutting down the appliance while the door is closed.

The unit should always be switched OFF using the switch box control, and not by mains power supply interruption. When the unit is switched off (via the switch box) the fan will run on for 1 minute without heat to discharge any residual energy from the heating elements.

When first turned on the control will run through a system check. The selected settings will be reached and maintained after a 30 second period.

Thermostatic control

A capillary type thermostat is factory fitted within the unit, as per **'C'** in **Fig. 8**, giving a selection scale of 0-40°C. When the thermostat operates, the power output will reduce depending on the switch setting.

-  - Fan only - No effect
-  - Half Heat - Heater will reduce to Fan only
-  - Full Heat - Heater will reduce to Half Heat

To override the thermostat, first Isolate the supply to the heater. Remove the connection on terminal '1' of the thermostat and reconnect it onto the piggy back connection on terminal 'C'.

Door switch control (Electric models)

By including a door switch in the circuit (as per **'D'** in **Fig. 8**) the air curtain will respond to door openings as follows:

- (1) Door opening will energise the air curtain at the set conditions (switch box settings).
- (2) On door closure operation will continue at the set conditions for a further 1 minute.
- (3) Between 1 minute and 2 minutes from door closure, set back operation, ½ heat (if heat selected) and ½ fan will activate.
- (4) Between 2 minutes and 3 minutes, the fan only (½ speed) shut down cycle will be engaged.
- (5) After 3 minutes, the air curtain will return to a dormant state until the door is re-opened.

If the door re-opens during this 3 minute run on cycle, the process will restart at (1).

Thermal Safety cut outs

The power supply to the heating elements will be interrupted if one or a combination of the following abnormal events occur:

1. Air inlet or outlet grilles are obstructed.
2. Internal ventilation is impaired due to build up of dust and fluff.
3. Blower unit stalls.

Before resetting the thermal safety cut-outs you must turn the power OFF. Unlock the grille by moving the two sliders into the open position **'x'** as shown in **Fig. 2A**, using a small screw driver or other suitable tool. With the grille partially open disconnect the safety cord to allow the grille to fully open. Then access the reset buttons as shown in **'y'** in **Fig. 2B**. Before re-setting the reason for activation must be determined and corrective action taken.

Low Pressure Hot Water (LPHW) heated Ambient (fan only) variants

Operation using switch box - CAB6

Switch on electrical supply to the air curtain. Rotate the switch to the desired heat setting. Settings available are;

- OFF
- Low Fan
- High Fan

The rocker (auto / manual) switch allows for manual over-ride of a door switch if fitted. Manual allows the appliance to run at the desired setting, while Auto provides an energy saving feature by shutting down the appliance while the door is closed.

The unit should always be switched OFF using the switch box control, and not by mains power supply interruption. When first turned on the control will run through a system check. The selected settings will be reached and maintained after a 30 second period.

Thermostatic control (optional)

1) A thermostatic regulation valve with a remote sensing bulb (not supplied) can be positioned in the supply water pipe-work to regulate the heat output.

2) An electrical 3-Port Solenoid Valve can also be connected into the system. Please contact your sales or service agent using the contact details provided.

Door switch control (Water heated & Ambient models)

By including a door switch in the circuit (as per 'D' in **Fig. 9** the air curtain will respond to door openings as follows:

(1) Door opening will energise the air curtain at the set conditions (switch box settings).

(2) On door closure operation will continue at the set conditions for a further 1 minute.

(3) Between 1 minute and 2 minutes from door closure ½ fan set back operation will activate.

(4) After 2 minutes, the air curtain will return to a dormant state until the door is re-opened. If the door re-opens during this 2 minute run on cycle, the process will re-start at (1).

Wiring Diagrams

CAB & DAB 'E' - Electric models - see Fig. 8

CAB & DAB 'W' / 'A' - Water heated & Ambient models - see Fig. 9

C - Thermostat

D - Door Switch (Optional)

E - Thermal Safety Cut-out Circuit

F - Elements

- BMS Switches (Optional)(S0,S1,S2)

M - Motor

Remote (BMS / BEMS) Operation

Connection to Building Energy Management Control Systems (BEMS) is possible so that remote control of the air curtain can be carried out in conjunction with other equipment. Please refer to the table in Fig. 8 & 9 to make the appropriate connections to the PCB.

Modular Connection

Refer to instructions provided with the modular linking kit.

De-rating the unit to operate at ½ heat setting

Please contact your sales or service agent using the contact details provided.

Operation on a Single Phase Supply

Please contact your sales or service agent using the contact details provided.

Recycling



For electrical products sold within the European Community.

At the end of the electrical products useful life it should not be disposed of with household waste. Please recycle where facilities exist. Check with your Local Authority or retailer for recycling advice in your country.

Cleaning

WARNING: DISCONNECT SUPPLY before carrying out maintenance.

External appearance can be maintained by wiping occasionally with a damp cloth ; for stain removal, a weak soap solution can be applied with a cloth and the surface wiped dry. Care must be taken to avoid any moisture ingress into the product.

After Sales Service

Your product is guaranteed for three years from the date of purchase.

Within this period, we undertake to repair or exchange this product free of charge provided it has been installed and operated in accordance with these instructions.

Your rights under this guarantee are additional to your statutory rights, which in turn are not affected by this guarantee.

Should you require after sales information or assistance with this product please go to www.dimplex.co.uk where you will find our self help guide by clicking on "After Sales" or ring our helpdesk on 0845 600 5111 (UK) or 01 842 4833 (R.O.I.) .

Spare parts are also available on the website

www.dimplex.co.uk

Please retain your receipt as proof of purchase.



The product complies with the European Safety Standards EN60335-2-30 and the European Standard Electromagnetic Compatibility (EMC) EN55014, EN60555-2 and EN60555-3. These cover the essential requirements of EEC Directives 2006/95/EC and 2004/108/EC

Dimplex UK Ltd.
Millbrook House
Grange Drive
Hedge End
Southampton
Hampshire. SO30 2DF

www.dimplex.co.uk

Republic of Ireland Tel. 01 8424833

© Dimplex UK Limited

All rights reserved. Material contained in this publication may not be reproduced in whole or in part, without prior permission in writing of Dimplex UK Limited.