

Dimplex Water Valve Connection Guide

08/50179/B 08/08

Issue B Draft

Model: Request (Suitable for use with the CAB10W, CAB15W, DAB10W & DAB15W)

THIS GUIDE SHOULD BE READ CAREFULLY AND RETAINED FOR FUTURE REFERENCE.

IMPORTANT SAFETY ADVICE

DO NOT COVER OR OBSTRUCT the air inlet or outlet grille.
 ENSURE THE APPLIANCE IS EARTHED.
 Do not mount the appliance in areas where excessive dust exists.
 Always disconnect the supply before working on the product.
 This product should be mounted safely to a solid wall or ceiling surfaces only.
 Ensure that the appliance is dry and free from leaks before operating.
 Ensure the supply cables are of adequate current carrying capacity and are protected by a suitable fuse.
 Ensure proper manual handling procedures are observed at all times.

The instructions for this guide should be read in conjunction with the 'Dimplex Air Curtain' Instructions. All 'Safety Advice' to be heeded before installing the appliances.

General

This guide is intended to aid the installation of a control valve onto the Dimplex range of water heater Air Barriers. The use of a mid position three port valve allows the user to select the desired heat setting [OFF - Low Heat - Full Heat], as currently available on electrically heated appliances.

Depending on the water system requirements there are two methods of installation. These are explained as follows

Installation Method 1 (With Flow Return)

The installation will require:

- (A) 1 x 3 Port Valve
- (B) 2 x Tee Fittings (Mains Connections)
- (C) 1 x Tee Fitting (On Pipe work)
- (D) 6 x Elbows
- (E) 2 x Straight Connections

The pipe work for the DAB should be sized for 3/4"
 The pipe work for the CAB should be sized for 1/2"

Procedure

1. The appliance should be mounted securely to the wall. Refer to the Air Barrier Instruction leaflet for further details.
2. Drain the water system.
3. Make all the plumbing connections as shown in Fig. 1
4. Connect the 3 Port Valve as shown in Fig. 2.

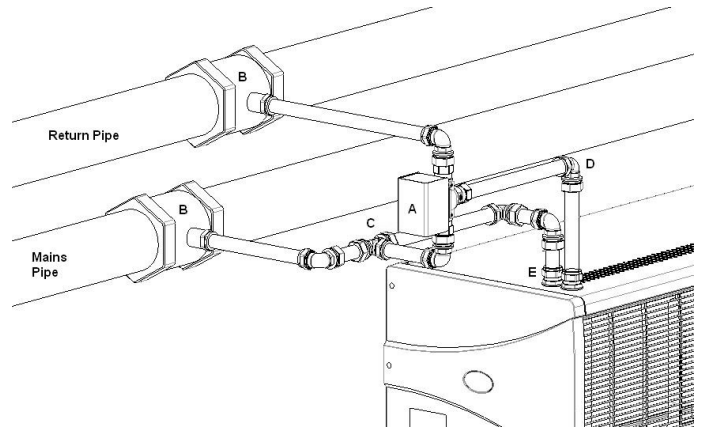


Figure 1.

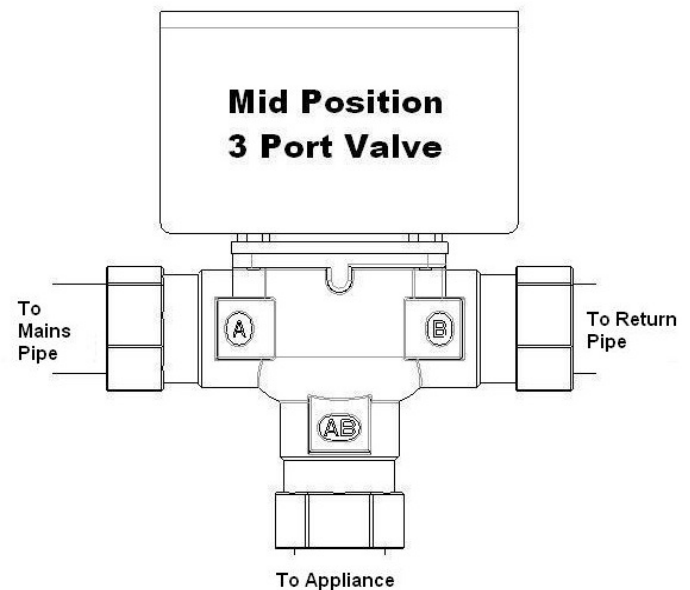


Figure 2.

Note the following connections must be made in this order:

- A :- To Mains Pipe
- B :- To Return Pipe
- AB :- To Appliance

Warning: The actuator should never hang below the valve. Always follow the valve manufacturers recommendations for installation.

5. If the Valve has a Man/Auto lever it should set to Man.
6. Fill the system with water, check for leaks.
7. Make the electrical connections as shown in Fig. 4
8. If the Valve has a Man/Auto lever it should be set back to Auto.
9. Switch on the circulation pump, boiler and the appliance.
10. Check the switch settings using the appliances switch panel.

Installation Method 2 (No Flow Return)

The installation will require:

- (A) 1 x 3 Port Valve
- (B) 2 x Tee Fittings (Mains Connections)
- (D) 1 x Elbow
- (E) 2 x Straight Connections
- (F) 1 x Blank End Piece

The pipe work for the DAB should be sized for 3/4"
The pipe work for the CAB should be sized for 1/2"

Procedure

1. The appliance should be mounted securely to the wall. Refer to the Air Barrier Instruction leaflet for further details.
2. Drain the water system.
3. Make all the plumbing connections as shown in Fig. 3

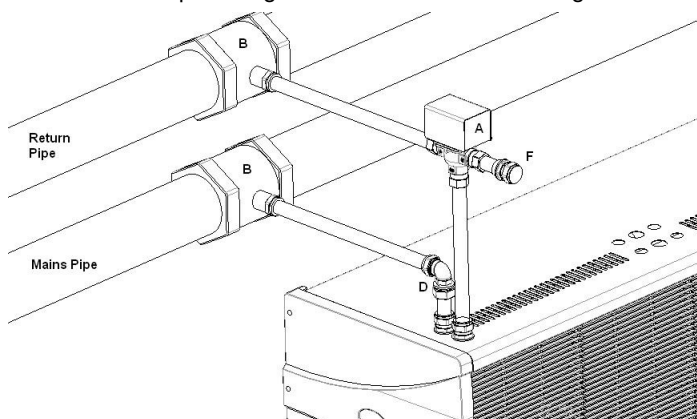


Figure 3.

4. Connect the 3 Port Valve as shown in Fig. 2. Note the following connections must be made in this order:
A :- To Blank End Piece
B :- To Mains Pipe
AB :- To Appliance

Warning: The actuator should never hang below the valve. Always follow the manufacturers recommendations for installation.

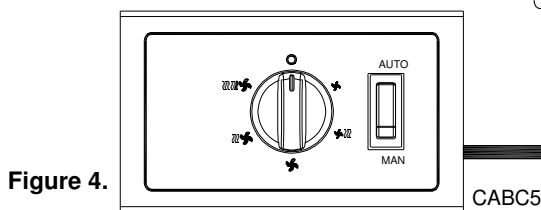


Figure 4.

5. If the Valve has a Man/Auto lever it should set to Man.
6. Fill the system with water, check for leaks.
7. Make the electrical connections as shown in Fig. 4
8. If the Valve has a Man/Auto lever it should be set back to Auto.
9. Switch on the circulation pump, boiler and the appliance.
10. Check the switch settings using the appliances switch panel.

Electrical Connections

The electrical connections should be made as shown in the diagram below (Fig4).

- C - Thermostat (Optional)
- D - Door Switch (Optional)
- M - Motor
- CABC5 - Switch Panel
- V - Three Port Valve

Wire Connections		
Manufacturer	Honey Well	Danfoss
Earth	Green/Yellow	
Neutral (N)	Blue	
Half Heat (L1H1)	White	Brown/White
Full Heat (L1H2)	Grey	

	Manufacturers No.	
	Honey Well	Danfoss
CAB Range (1/2 inch)	N/A	087N6627
DAB Range (3/4 inch)	V4073A1039	087N6654

CE The product complies with the European Safety Standards EN60335-2-30 and the European Standard Electromagnetic Compatibility (EMC) EN55014, EN60555-2 and EN60555-3. These cover the essential requirements of EEC Directives 2006/95/EC and 2004/108/EC

Dimplex UK Ltd.
Millbrook House
Grange Drive
Hedge End
Southampton
Hampshire. SO30 2DF

www.dimplex.co.uk

Republic of Ireland Tel: 01 842 4833