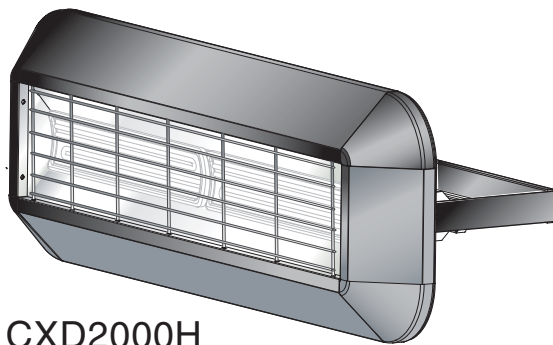
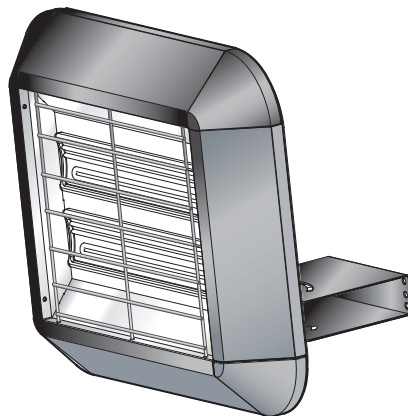


# Dimplex

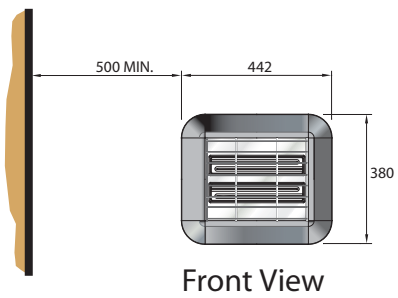


CXD2000H

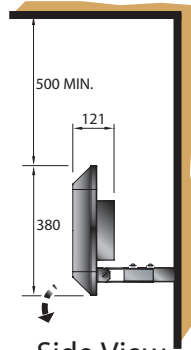


CXD2000V

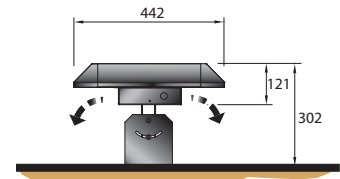
1



Front View

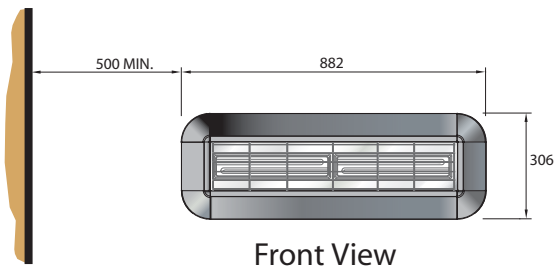


Side View

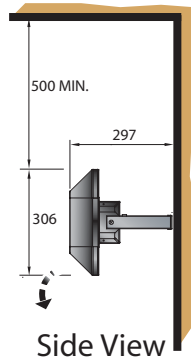


Plan View

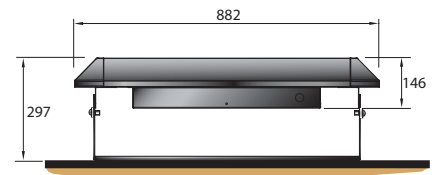
CXD2000V



Front View



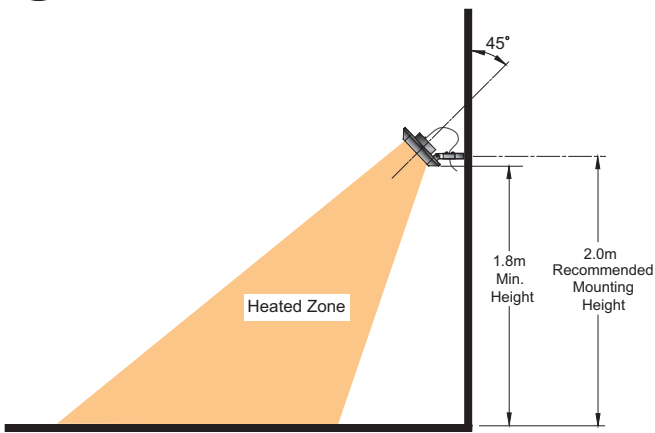
Side View



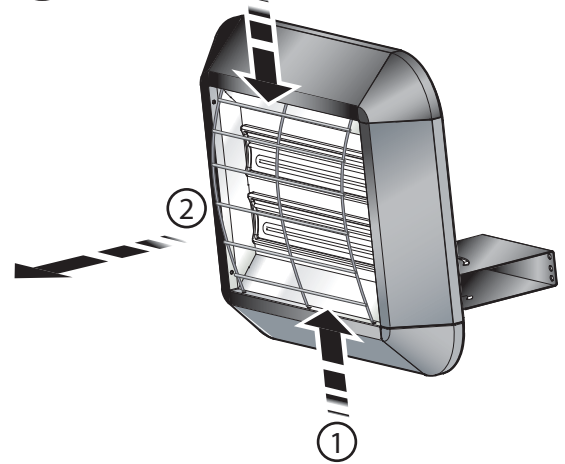
Plan View

CXD2000H

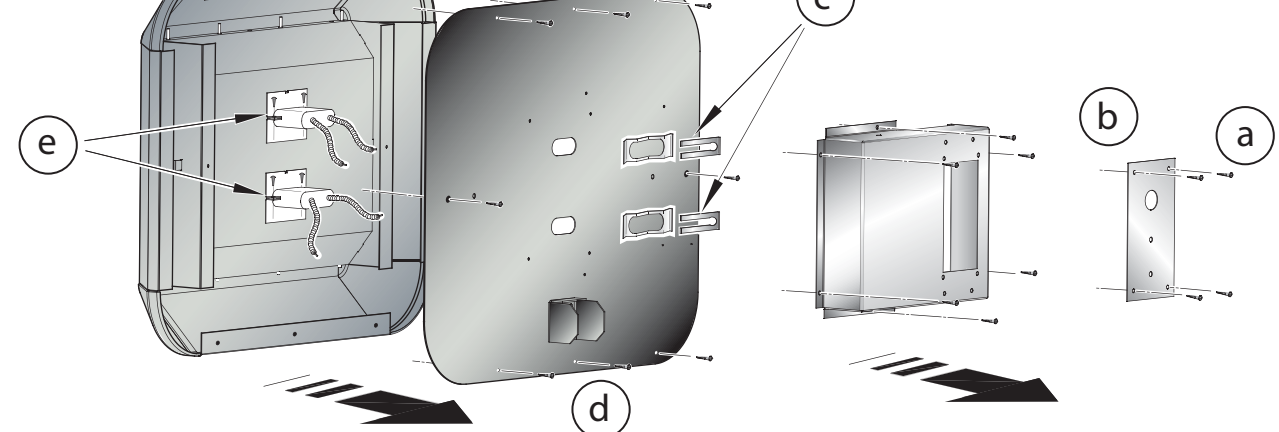
2



3



4



### Important Safety Advice

Because the Dimplex Ceramic Radiant Heater contains no moving parts little maintenance is required. Before undertaking any maintenance work on the heater due attention must be paid to the following:

This heater is designed to be horizontally wall mounted only, it must not be ceiling mounted.

Always ensure a safe mounting height, at or above a minimum height of 1.8 metres from ground level, so that the heater can not be touched when in operation.

The heater must be wall mounted level  $\pm 5^\circ$  to the horizontal.

Do not locate the heater immediately above or below a fixed socket outlet or connection box.

This appliance is not intended for use by children or other persons without assistance or supervision if their physical, sensory or mental capabilities prevent them from using it safely. Children should be supervised to ensure that they do not play with the appliance.

Always disconnect the heater from the electricity supply before attempting to work on or near it.

Always ensure a safe means of access using an access tower or properly supported ladder.

Do not cover the heater.

Keep combustible materials away from the heater.

Do not position patio furniture, sunshades, awnings and other combustible materials too close to the heater.

Do not use heater if the elements are broken - as injury may occur.

Allow adequate time (minimum of 30 mins.) for the elements and body casing to cool before attempting to work on the heater .

Wiring between the heater and the spur outlet or isolation switch must be in a heat resisting cable (e.g. polychloroprene).

Note: Provide sufficient slack to the cable to allow for angular adjustment of the body.

The supply cord should be regularly examined for signs of damage and the appliance is not to be used if the cord is damaged.

### General

Your Dimplex Ceramic Radiant Heater uses ceramic elements which produce a high proportion of their output in the long-wave infra-red. This provides a high comfort factor – similar to the natural energy from the sun.

### Electrical

The installation of this appliance should be carried out by a competent electrician and be in accordance with the current IEE wiring regulations and any local or insurance regulations.

The CXD2000H & CXD2000V are designed for use on a 230-240V AC single phase supply.

An all-pole isolating switch with a minimum separation of 3mm in each pole must be fitted to facilitate isolation. This switch must either be positioned inside a building or have an IP rating against water ingress suitable for external installation.

The appliance must be supplied through a residual current device (RCD) having a rated residual operating current not exceeding 30mA.

The appliance must be connected to a socket-outlet having an earthing contact.

We recommend that a cable with a minimum specification of H07RN-F polychloroprene sheathed or similar be used with a minimum temperature rating of 90°C.

**Note :** Always ensure the cable grip is tightened.

### Installation

Heaters are supplied with an integral wall bracket which may be fixed through the mounting holes to any suitable structure. The bracket allows the heater to be inclined at the required angle. The recommended fixing height to the centre line of the bracket is 2.0m from ground level - see **Fig. 2**.

The integral wall fixing bracket may be removed by fully unscrewing to facilitate its fixing.

The siting of the heater(s) should be such as to allow an even and uninterrupted distribution of radiation to the area(s) to be heated. Heaters are most effective when the beam angle is inclined down at an angle of between 30° to 45° to the vertical - see **Fig. 2**.

When deciding upon the best location, consideration must be given to the following requirements:

- Avoid structures which might vibrate e.g. crane gantries. These could adversely affect element life.
- Comfort and safety could be compromised unless the heater is mounted at or above 1.8m from ground level.
- Allow a minimum of 500mm minimum clearance between the top of the heater and any horizontal surface - see **Fig. 1**.

### Element Replacement (see Fig. 4)

**WARNING – BEFORE UNDERTAKING THIS TASK ENSURE THE HEATER IS DISCONNECTED FROM THE ELECTRICITY SUPPLY AND LEFT TO COOL FOR A MINIMUM OF 30 MINUTES.**

- The heater should be taken off the wall.
- Remove the screws (a) and (b) which hold the control box on the back of the heater.
- This will allow access to the elements. Remove the retaining clips and spring clips (c) to loosen the elements.
- Disconnect the elements from their terminal blocks.
- Remove the screws (d) which hold the back panel.
- Remove the splash brackets (e) on the elements.
- Bend the bars on the guard as indicated in **Fig. 3** to remove it.
- The old element should drop out through the front of the heater, reverse the process when replacing with the new element.

## Cleaning and User Maintenance

**WARNING: BEFORE UNDERTAKING CLEANING OR MAINTENANCE WORK ON THE APPLIANCE, DISCONNECT THE ELECTRICITY SUPPLY.**

Since the appliance contains no moving parts little maintenance is required beyond cleaning and element replacement. It is however essential that the heater is not operated with an accumulation of dust or dirt on the element, as this can cause a build up of heat and eventual damage. For this reason the heater must be inspected regularly, depending upon conditions and at least at yearly intervals.

Allow adequate time for the element and body casing to cool before attempting to work on the heater - a minimum time of 30 minutes is recommended.

## Recycling

For electrical products sold within the European Community.



At the end of the electrical products useful life it should not be disposed of with household waste. Please recycle where facilities exist. Check with your Local Authority or retailer for recycling advice in your country.

## After Sales Service

Your product is guaranteed for one year from the date of purchase.

Within this period, we undertake to repair or exchange this product free of charge (excluding element & subject to availability) provided it has been installed and operated in accordance with these instructions.

Your rights under this guarantee are additional to your statutory rights, which in turn are not affected by this guarantee.

Should you require after sales information or assistance with this product please go to [www.dimplex.co.uk](http://www.dimplex.co.uk) where you will find our self help guide by clicking on "After Sales" or ring our helpdesk on 0845 600 5111 (UK) or 01 842 4833 (R.O.I.) .

Spare parts are also available on the website

[www.dimplex.co.uk](http://www.dimplex.co.uk)

Please retain your receipt as proof of purchase.

---

Dimplex UK Ltd.  
Millbrook House  
Grange Drive  
Hedge End  
Southampton  
Hampshire. SO30 2DF

[www.dimplex.co.uk](http://www.dimplex.co.uk)

Republic of Ireland Tel.  
01 8424833

[c] Dimplex UK Limited

All rights reserved. Material contained in this publication may not be reproduced in whole or in part, without prior permission in writing of Dimplex UK Limited.