

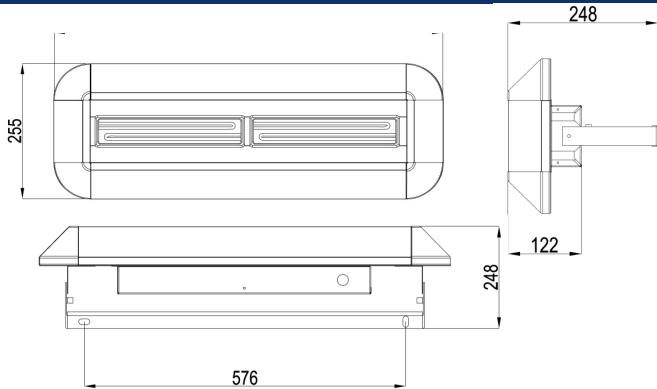
CXD Ceramic Heaters



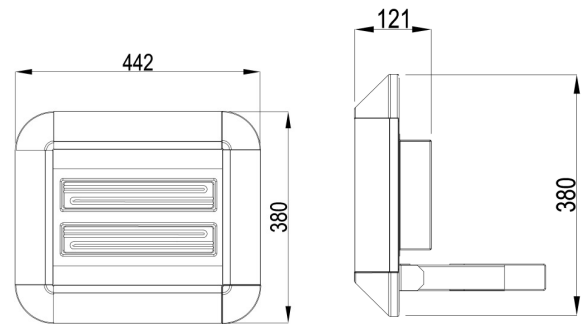
CXD2000V, CXD2000H

- Robust Ceramic elements
- Can be mounted inside or outside
- Silent operation
- No visible light output
- Adjustable mounting bracket
- Fitted guard included
- Choice of vertical or horizontal 2kW models

CXD2000H Details



CXD2000V Details



Technical Details

Element:	Ceramic encased aluminium coil element.
Reflector:	Specular quality electrochemically brightened aluminium (purity 99%+)
Body:	Powder coated steel Finished in High Temperature Matt Black IPX4 rated
Element Guard:	Chromium plated mild steel (standard)
Warranty:	12 months

Model	CXD2000V	CXD2000H
Heat Output	2kW	2kW
No. Elements	2	2
Supply voltage	230V 1P&N	230V 1P&N
Height (mm)	380	255
Length (mm)	442	735
Weight (kg)	5.3	5.1
Minimum Height (m)	1.8	1.8
Recommended Height (m)	2.0	2.0

Accessories



Can be used with Dimplex Passive Infra Red detector switch DX4131

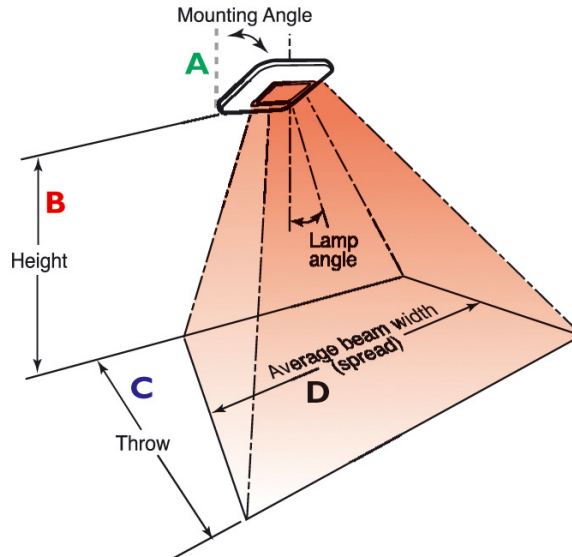
Additional Information

Ceramic elements provide long wave lower intensity infrared heating for a softer heating effect.

Heaters body is powder coated steel, finished in matt black.



Heater Coverage



Sizing Chart

CXD Spread & Throw Chart

Model	CXD2000H		CXD2000V	
Height B	Throw C	Spread D	Throw C	Spread D
1.8m	1.8m	1.3m	1.6m	1.1m
2.0m	2.0m	1.4m	1.8m	1.3m
2.3m	2.2m	1.6m	1.9m	1.4m
2.5m	2.4m	1.8m	2.1m	1.6m
2.7m	2.5m	1.9m	2.3m	1.7m

CXD Heat Intensity

High Intensity	80 W/m ²
Medium Intensity	65 W/m ²
Low Intensity	50 W/m ²

A All figures are for 45° mounting angles.

Key

Inactive	(churches/dressing rooms)
Light work	(workshops / desk working / despatch areas)
Heavy work	(factories / loading bays / open air construction)

Note: All the above applications are dependant on the area heated and the heat-loss within the building structure. For best effect, heating from both sides of the subject is recommended.

Please contact our heating design service with your requirements.

