

TAMPER-PROOF KIT FITTING INSTRUCTIONS

(N-TYPE) PART NO. 83914

XL9050

NOTE

Before any heater is made tamper-proof, it is essential that the heater control knobs are set to the required position.

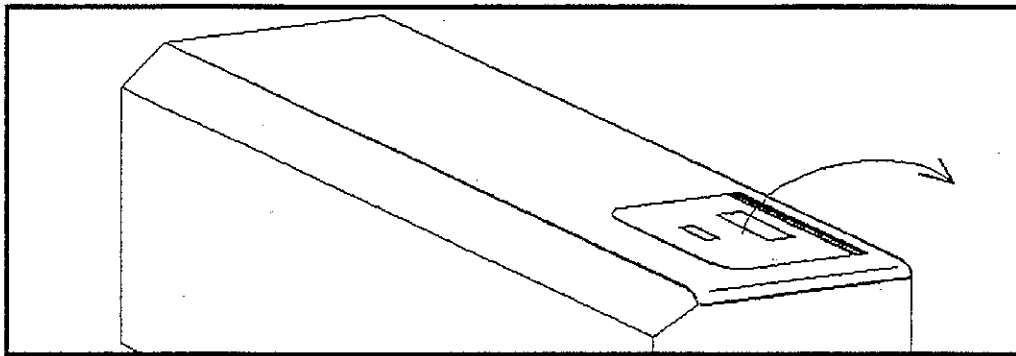
SUPPLIED:

1 D-TYPE CLIP

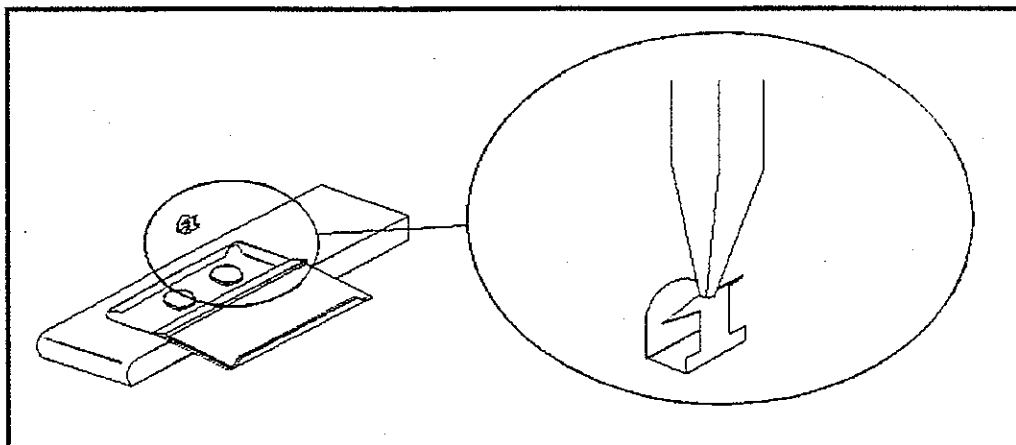
TOOLS REQUIRED:

1 SET OF "LONG NOSE" PLIERS.

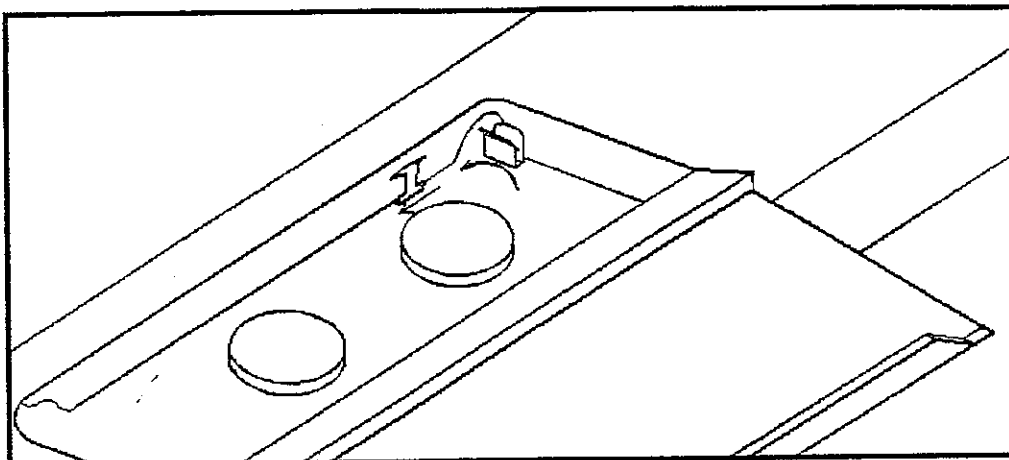
1. Open the control door of the heater.



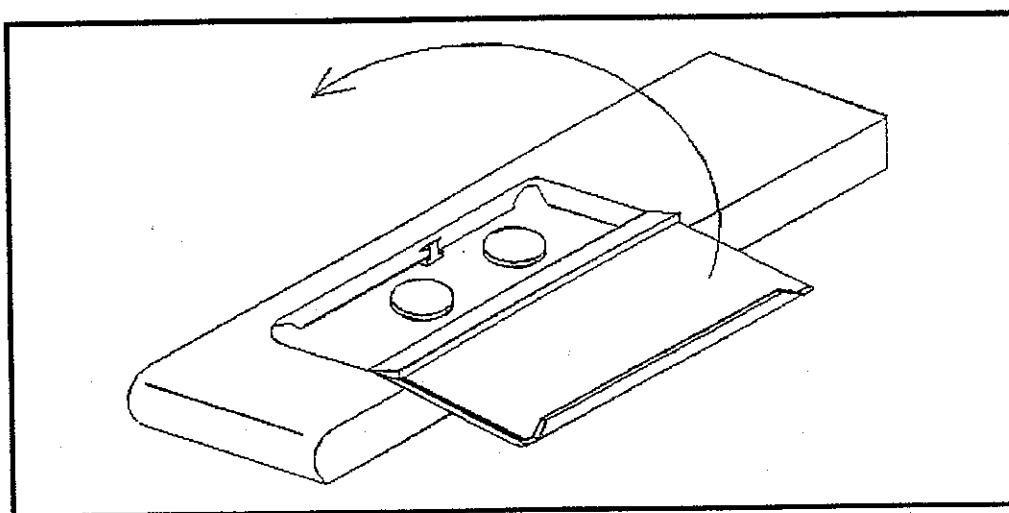
2. Using the long nose pliers, lift the clip as shown on the sharp edge.



3. Position the clip using the pliers under the opening of the outer top as shown and rotate until the clip runs under the bottom edge of the front lip. Slide the clip approximately half way along the edge.



4. Ensuring the control knobs are positioned correctly, close the control door firmly.



5. Once locked, the door cannot be opened without first removing the outer front and top of the heater. **NOTE: ALL POWER SUPPLIES TO THE HEATER MUST BE DISCONNECTED BEFORE REMOVING THE FRONT OR TOP PANELS.** The door can then be opened by pushing the control knobs against the under side of the door. No attempt should be made to force the door open from the top of the heater as this will result in damage to the door and outer top.