

DAB Ambient models

Technical Specifications



	DAB10A	DAB15A	DAB20A*
Max mounting height (m)	4.0	4.0	4.0
Air volume (m³/h)			
speed 1	3000	3500	6000
speed 2	2665	2315	5330
Maximum air flow (m/s)			
speed 1	13.5	13.0	13.5
speed 2	12.0	8.6	12.0
Air off temp. (°C)			
speed 1	-	-	-
speed 2	-	-	-
Heat output (kW)	-	-	-
Flow rate (l/s)	-	-	-
Pressure drop (kPa)	-	-	-
**dB(A) level @ 3.0m			
speed 1	58	59	60
speed 2	52	53	54
Supply rating (*per phase) (A)	1.5	2.3	1.5 per unit
Supply voltage (50Hz)	230V~ 1P&N	230V~ 1P&N	230V~ 1P&N per unit
IP Rating	IPX0	IPX0	IPX0
Weight (kg)	21.5	27.5	43.0

* Dimplex modular range supplied as two units.

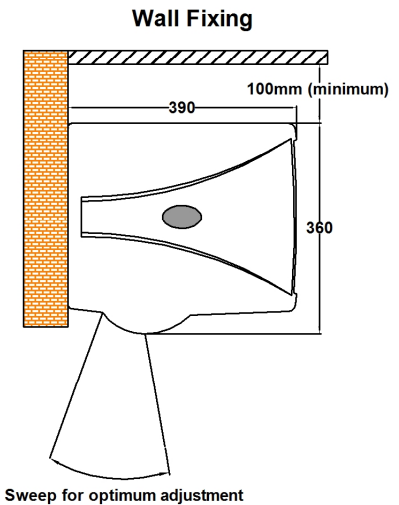
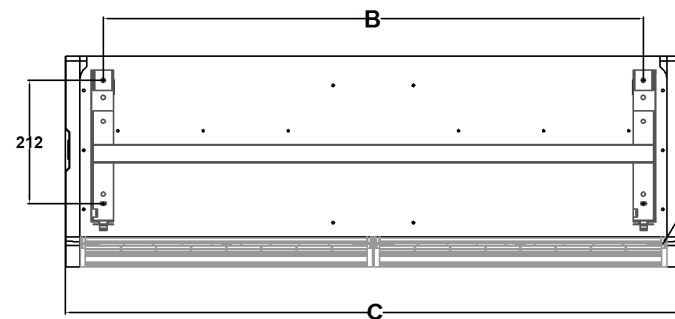
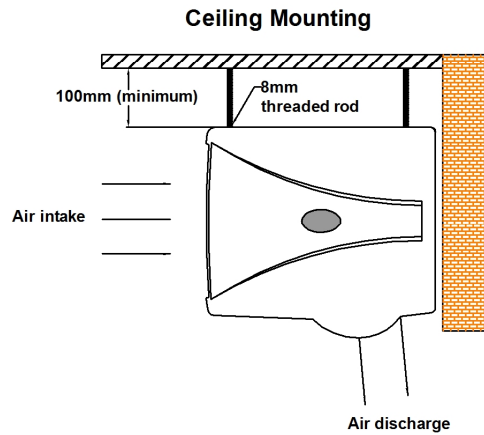
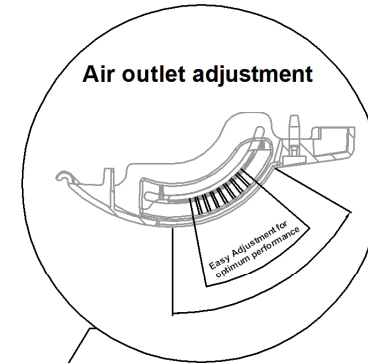
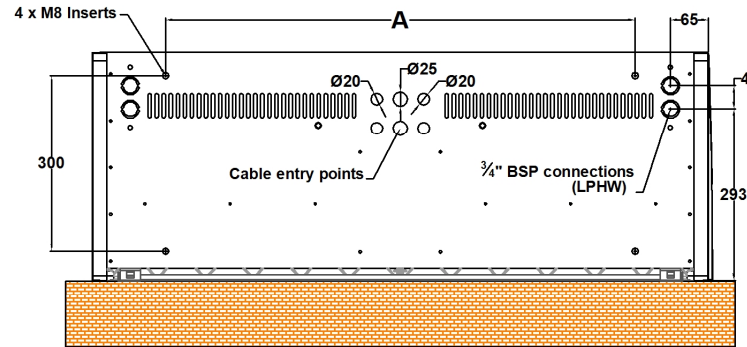
**dB (A) level measured outside of air stream.



DAB Ambient models

Dimensional Specifications

Dimension	A	B	C
DAB10	800	920	1057
DAB15	1300	1420	1557
DAB20**	800 (x2)	920 (x2)	2114



Note: A clearance distance of 300mm must be provided adjacent to the air intake grille.
 All dimensions are in mm, unless otherwise stated.
 ** CAB20 consists of 2 units