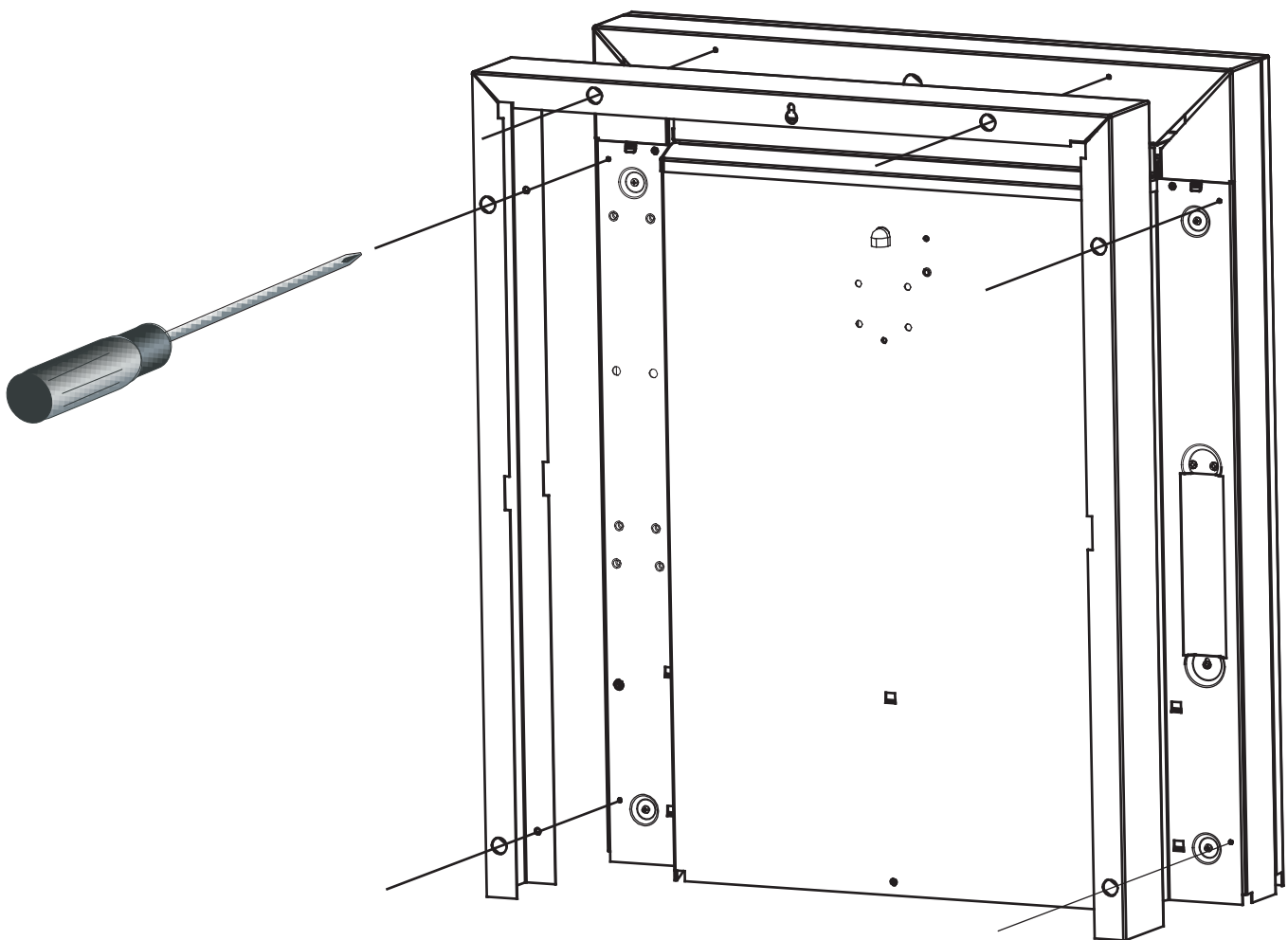


### Introduction

This spacer is suitable for the following Optimyst Inset Fires;  
DNV20AB, DNV20BK, DNV20BR and DNV20CH

### Installation

Place the spacer up against the back of the fire. Ensure that the large holes are to the open end allowing the pozi-head screw driver though.  
Using the 8 screws provided and a pozi-head screw driver, screw the spacer in place ensuring that the top and side edges of the spacer line up with the top and sides of the fire frame - see diagram



### Cleaning

For general cleaning use a soft clean duster.  
Never use abrasive cleaners

8/51494/0 Issue 1