

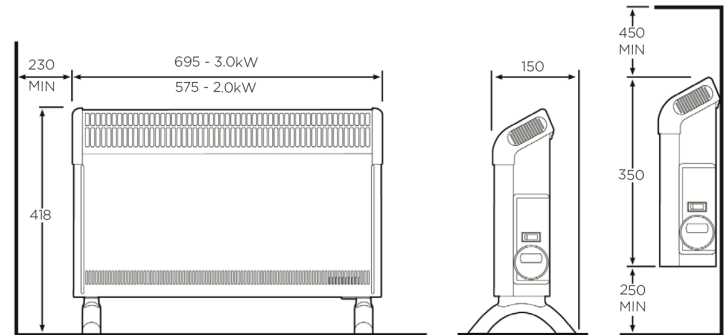
DXCTiE Convector Heater



Key Features

- Accurate electronic thermostat
- Advanced controls with seven-day timer and adaptive start
- Wall mounted and Portable
- Complies with Lot 20 of ERP Directive

Dimensions



Technical Details

Controls	Digitally controlled, Electronic Thermostat Timer modes: 7 Day Programmable User Timer Continuous heat modes: Manual, Off
Controller UI	•Segmented display •Membrane buttons
Controller Functions	•Adaptive-start, •Adjustable max SP range (5-30°C) • Child Lock
Construction	Durable epoxy-polyester powder coated steel casing Advanced controls for total flexibility of heating
Element	Stitched element
Installation	Wall Bracket and Feet supplied
Safety	•Thermal cut-out. Manual reset type.
IP Rating	IP20
Battery Backup	Yes. Cannot be replaced
Supply	1.5 metres fitted, 3 core for fused spur installation, 1/N/PE -230-240 V, 50Hz -UK plug Class I, with earth wire
Colour / Finish	Front housing - Traffic White (RAL 9016) Feet—Graphite grey (RAL 7024) Handles —Traffic White (RAL 9016)

Warranty & Approvals

Approvals	CE, BEAB
Warranty	2 Years
Country of Origin	United Kingdom
Manufacturer	Glen Dimplex Heating & Ventilation (GDC Group Ltd)

Model/Item No.(EAN-Code 5011139+Item No.)	091444	DXC20TIE7	091451	DXC30TIE7	091345	DXC30FTIE7
Output (kW)		2		3		3
Turbo Fan		No		No		Yes
Height (mm)		350		350		350
Width A (mm)		575		695		695
Depth B (mm)		124		124		124
Weight (Kg)		4.1		4.8		4.8
Packaging Details						
Height (mm)		370		370		370
Width (mm)		670		790		790
Depth (mm)		140		140		140
Packed Weight (Kg)		4.3		4.6		4.6
Ti		10		9		9
Hi		5		5		5
Pallet Quantity (2.4m high)		50		45		45