

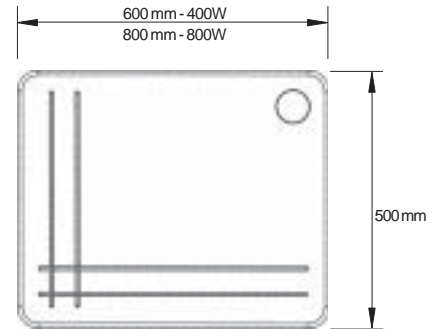
**Dimplex Low Wattage Panel Heaters**

**Models:** DXLWP400, DXLWP400TI  
 DXLWP800, DXLWP800TI N,  
 ARLWP800TI


**Dimensions**

(millimetres)

Models	Specification
DXLWP400	400W Neon Heat Switch
DXLWP400TI	400W Neon Heat Switch / 24 Hour Timer
DXLWP800	800W Neon Heat Switch
DXLWP800TI N	800W Neon Heat Switch / 24 Hour Timer
ARLWP800TI	2 Neon Heat Switches / 24 Hour Timer



**THESE INSTRUCTIONS SHOULD BE READ CAREFULLY AND RETAINED FOR FUTURE REFERENCE**

**IMPORTANT SAFETY ADVICE**

**WARNING – THIS APPLIANCE MUST NOT BE USED IN A BATHROOM**

**WARNING - DO NOT USE THIS HEATER IN THE IMMEDIATE SURROUNDINGS OF A BATH, A SHOWER OR A SWIMMING POOL.**

**WARNING – THIS HEATER MUST NOT BE LOCATED IMMEDIATELY BELOW A FIXED SOCKET OUTLET.**

**DO NOT USE THE HEATER UNTIL THE FEET OR WALL BRACKETS ARE FITTED CORRECTLY.**

**FOLLOW** these instructions carefully.

The heater carries a warning 'DO NOT COVER' to alert the user to the risk of fire that exists if the heater is accidentally covered.

Models DXLWP400TI, DXLWP800TIN and ARLWP800TI can be set to switch on automatically. Remember to observe all safety warnings at all times.

If young children, the aged or infirm are likely to be left in the vicinity of the heater, we advise that adequate precautions should be taken. We recommend a guard be fitted to ensure contact with the heater is avoided and objects cannot be inserted into the product.

If the mains lead is damaged, it must be replaced by the manufacturer or its service agent or a similarly qualified person in order to avoid a hazard.

For further information, please contact our guard supplier direct on Tel. No. 01603 667957, or in case of difficulty or for further advice contact the Customer Helpline.

**Electrical Connection**
**WARNING THIS APPLIANCE MUST BE EARTHED**

If the socket outlets in your home are not of the 13 amp BS1363 type they will not accept the plug connected to this heater, therefore cut off the plug. When cut off this plug can constitute a shock hazard if inserted into a socket outlet. It must therefore be disposed of safely.

*Before wiring the appropriate plug please note that the wires in this mains lead are coloured in accordance with the following code.*

**GREEN/YELLOW - EARTH**  
**BLUE - NEUTRAL**  
**BROWN - LIVE**

**Connect the Green/Yellow wire to the terminal marked E or the earth symbol**  **or coloured Green or Green/Yellow.**

**Connect the Brown wire to the terminal marked L or coloured Red.**

**Connect the Blue wire to the terminal marked N or coloured Black.**

**DO NOT** connect the Brown (Live) or the Blue (Neutral) wires to the Earth terminal of your 13 amp plug. If the terminals of the plug are unmarked or you are in any doubt, consult a qualified electrician.

**CAUTION:** If you use this heater in conjunction with a thermal control, programme controller, timer or any other device which switches the heater on automatically observe all safety warnings at all times.

**POSITIONING THE HEATER**

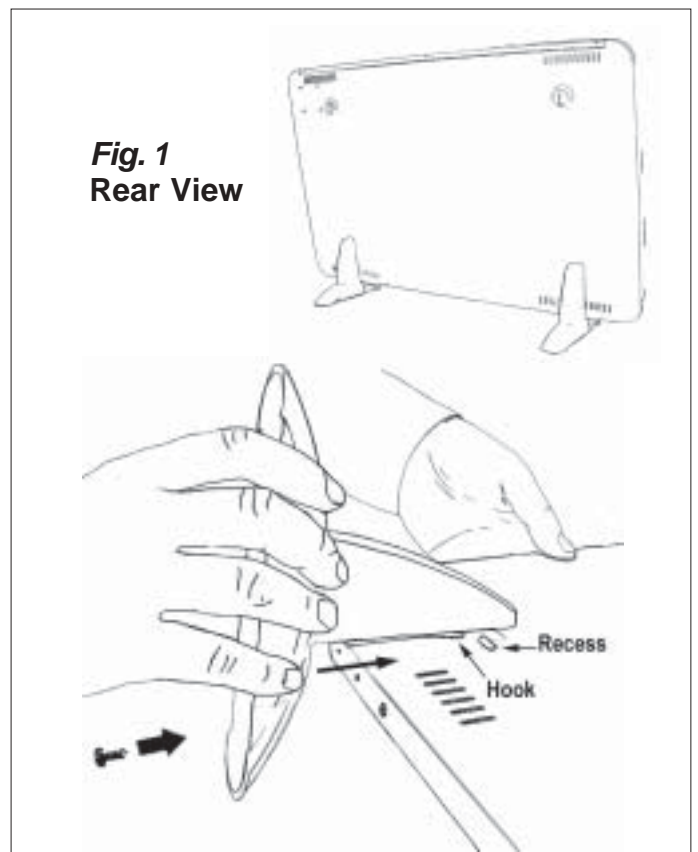
Select the position for the heater ensuring there is clearance from any furniture and fittings of at least 150mm above the heater, 50mm below (wall mounted) and 25mm each side. Curtains must not be closer than 150mm from the top of the heater.

**Free Standing Operation (Fig. 1)**

**NEVER USE THE HEATER FREE STANDING WITHOUT THE FEET FITTED.**

1. Lay the heater on its front.
2. Remove the two socket head screws from the base of the heater using the hexagon key supplied.
3. Place feet over base of heater, align holes and engage hook on foot into the recess on the back of the heater. (See Fig. 1).
4. Replace the screws but do not overtighten.

**Fig. 1**  
**Rear View**



## Installation

The Fixing Kit should contain: 1 Drilling Template, 3 Screws, 3 Rawlplugs, 1 Mounting Bracket and 1 Hexagon Key.

### Wall Mounted Operation (See Fig. 2)

**WARNING: This heater must not be located immediately below a fixed socket outlet. The plug must be accessible after heater installation.**

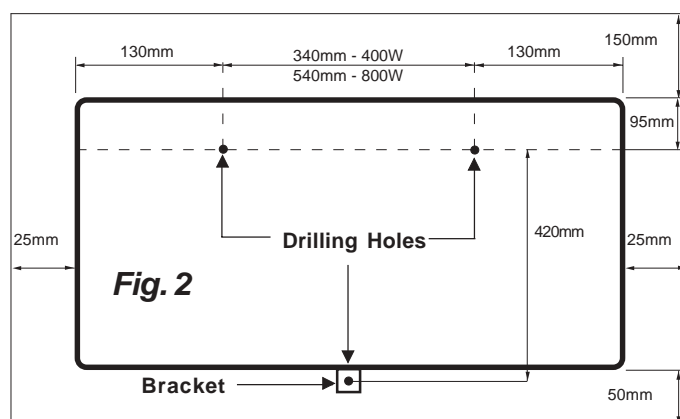
#### Suggested Fixings

**SOLID BRICK/BLOCK:** No. 8 Rawlplug inserts, 6mm drill bit.

**PLASTERBOARD** - If possible locate studding and use No. 8 woodscrews directly into the wood, otherwise M5 rawlplug intersets are suitable.

**NOTE: FOR OTHER WALL TYPES** (e.g. Timber frame and hollow concrete) **SEEK SPECIALIST ADVICE.**

1. **Select the position for the heater ensuring there is clearance from any furniture and fittings of at least 150mm above the heater, 50mm below and 25mm each side.** Curtains must not be closer than 150mm from the top of the heater.
2. Position the drilling template provided on the wall ensuring it is level. Mark the position of the relevant holes on the wall at the edge of template. Before drilling check that the distance between the hole centres is correct, 340mm for 400W Models and 540mm for 800W models (see Fig. 2),



3. Drill the wall at the three marked positions and fit the wall plugs.

**Ensure template has been removed.**

4. Fix two No. 8 screws to the top two holes leaving 3mm of the screw exposed. Hang the heater on the screws.
5. Fit the bottom bracket, found in the fixing kit, in the slot at the base of the heater and screw the bracket to the wall.

**Test that the heater is now securely fixed to the wall.**

## Operation

**IMPORTANT - OBJECTS OR CLOTHING MUST NOT BE PLACED ON THIS HEATER.**

**Before using the heater ensure that all warnings and instructions have been read carefully.**

### OPERATION - SINGLE RATED MODELS

**Models DXLWP400, DXLWP400TI, DXLWP800, DXLWP800TI N**

Turn the heater on using the switch on the right side of the heater - the switch will be illuminated.

### OPERATION - DUAL RATED MODEL - Model ARLWP800TI

The two switches on the side of the heater control the heat output. Both switches illuminated indicates maximum output.

**Top switch only** illuminated indicates 500W output on 800W model.

**Bottom switch only** illuminated indicates 300W output on 800W model.

Note: on models fitted with a timer, at least one switch must be illuminated for the heater to operate.

### MODELS WITH TIMER - (see Fig. 3)

**DXLWP400TI and DXLWP800TI N - 1 Switch,**

The switch on the side of the heater turns the heater on.

Note: This switch must be in the "on" position before the heater will operate.

### ARLWP800TI - 2 Switches

The two switches on the side of the heater control the amount of heat available as described above, (Operation - Dual Rated Model).

NOTE: At least one switch must be in the "on" position before the heater will operate.

### Digital Timer Operation

**IMPORTANT** Remember to observe all safety warnings when operating the heater on auto setting unattended or attended.

The timer allows you to select 'MANUAL ON', 'AUTO' or 'MANUAL OFF' operation mode by pressing the Input / Output button marked 'I/O' until the required mode appears at the bottom of the timer display.

'MANUAL ON' mode allows power to the heater uninterrupted by the timer settings. The heat selector switch will control the output.

'MANUAL OFF' mode switches off all heater operation completely.

'AUTO' mode allows the low wattage panel heater to switch ON and OFF according to the timer settings (see 'Setting Programs' section below).

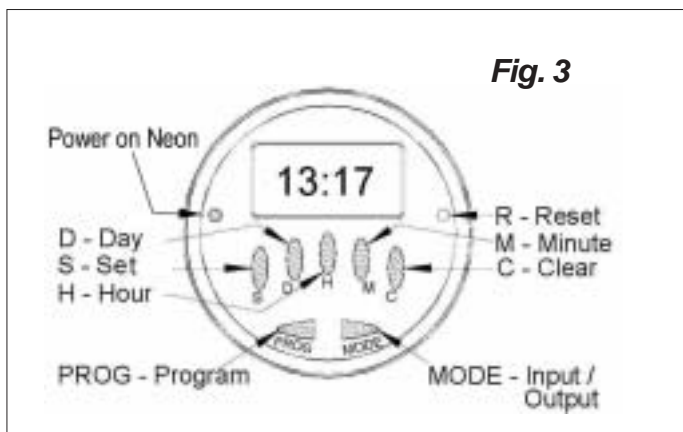
**12/24 Hour Mode** Either 12 or 24 hour modes can be used.

Press the **S** (Set) and **P** (Program) buttons simultaneously to switch between 12 and 24 Hour mode.

### Initial Operation (Fig. 3)

For initial use, plug the timer into a regular household power point and turn the power on. Clear all current information by pressing the **R** button with a sharp object such as a pencil. The timer is now ready to be set up for use.

**Fig. 3**



### Setting Current Time

1. Press the **S** (Set) button and keep pressed while pressing the **D** (Day) button until the actual day is displayed. Continue by pressing **H** (Hour) or **M** (Minute) button until the current hour or minute is displayed. When resetting, the buttons **D**, **H** or **M** can be held down for rapid forward counting.
2. Release both buttons. The day and time will now be set.
3. To reset incorrect time, repeat previous steps.

### Summertime Function

Summertime function is very useful for areas with summertime system, the timer can quickly and easily be changed to operate in SUMMER time mode i.e. one hour ahead, and back again as follows;

1. Press the **S** (Set) and **I/O** (Input/Output) buttons simultaneously. The LCD will show 'SUMMER'. The clock will switch ahead one hour.
2. Press the buttons together again and the clock will switch back again one hour to standard time & 'SUMMER' will no longer be displayed .

### Setting Programs

Once the correct time is set , a total of 8 ON/OFF time programs can be set for AUTO operation. These can be set to operate on any of 16 different combinations of individual days or groups of days depending on your individual choice. To program the timer follow the following setting instructions;

1. To select the first of your 8 ON/OFF programs simply press the **P** (Program) button once , the program is then input as follows ;
2. You first select one of the 16 different combinations of individual days or groups of days you wish to set this program for. Continue to press and release the **D** (Day) button to go through the choices until the day or blocks of days you require appears along the top of the timer display then stop pressing , the 16 different combinations that can be chosen are as follows;

- |                               |                            |
|-------------------------------|----------------------------|
| 1) Mo                         | 9) Mo, Tu, We, Th, Fr      |
| 2) Tu                         | 10) Sa, Su                 |
| 3) We                         | 11) Mo, Tu, We, Th, Fr, Sa |
| 4) Th                         | 12) Mo, We, Fr             |
| 5) Fr                         | 13) Tu, Th, Sa             |
| 6) Sa                         | 14) Mo, Tu, We             |
| 7) Su                         | 15) Th, Fri, Sa            |
| 8) Mo, Tu, We, Th, Fr, Sa, Su | 16) Mo, We, Fr, Su         |

3. Now set the time by pressing the **H** (Hour) button and then **M** (Minute) button until the desired time setting is displayed.
4. Press the **P** (Program) button again to finish the first ON setting and enter into the first OFF setting. By repeating steps '2' & '3' above you can now complete the input of the first OFF setting.
5. Press the **P** (Program) button again to finish the first ON/OFF program and enter into the 2<sup>nd</sup> ON setting. Repeat steps '2' , '3' and '4' to complete this program , then press **P** again and repeat cycle as necessary.
6. Once you have completed the number of ON/OFF programs you require (up to a maximum of 8) , press the **S** (Set) button to save the settings and the timer is now ready to operate in Auto mode.

**EXAMPLE :** To set Timer ON at 18:15 and Timer OFF at 22:15 everyday

- a) Press **P** and LCD displays **'1\_ON'**
- b) Press **D** until LCD displays **'MO, TU, WE, TH, FR, SA, SU'**
- c) Press **H** until LCD displays **'6:00PM' or '18:00'**
- d) Press **M** until LCD displays **'6:15PM' or '18:15'**
- e) Press **P** and LCD displays **'1\_OFF'**
- f) Repeat c) and d) until LCD displays **'10:15PM or 22:15'**
- g) Press **S** and the program is saved and the current time display returns.

TIP : When verifying your programs ensure that the settings do not overlap, especially when using the block option.

TIP : To clear a section in a Program, press the **C** (Clear) button. To reactivate this section press the **C** button again.

### Notes on switching between Manual ON/Auto/Manual OFF

1. Pressing **I/O** (Input/Output) button allows you to change between **Manual ON / Auto / Manual OFF** modes , current mode will be displayed on the bottom of the LCD display.
2. In **Manual ON** or **Manual OFF** mode, the Timer operates but the programme settings are inactive.
3. When the mode is turned from **Manual ON** to **Auto**, the Timer mode will remain ON until the next programmed timer off setting is reached.
4. When the mode is turned from **Manual OFF** to **Auto** the timer mode will remain OFF until the next programmed timer ON setting is reached.

**Note - Timer Memory Back Up Batteries** - Once the heater has been left plugged in with the socket switched on for at least 12 hours the timers memory back up batteries will be fully charged.

Once the timer batteries are fully charged , if there is a power cut or if the heater is disconnected from the mains for less than 100 hours , then the timer will continue to keep time & the settings in the memory will remain intact.

If however the timer back up batteries have not been charged fully, or if the heater is deprived of power for longer than 100 hours, then the time and the programme settings are likely to be lost and you may therefore need to reset the time and the programme before using the Auto mode again.

### Safety - Overheat Protection

For your safety the front panel temperature is regulated by a thermal limit thermostat.

## Cleaning

### **WARNING – ALWAYS DISCONNECT FROM THE POWER SUPPLY BEFORE CLEANING THE HEATER.**

Do not use detergents, abrasive cleaning powder or polish of any kind on the body of the heater.

Allow the heater to cool, then wipe with a dry cloth to remove dust and a damp cloth (not wet) to clean off stains. Be careful not to allow moisture into the heater.

## After Sales Service

Your appliance is guaranteed for three years from the date of purchase. We undertake to repair or exchange free of charge within this period, any part found to be defective due to a manufacturing fault. Your rights under this guarantee are additional to your statutory rights, which in turn are not affected by this guarantee. Please retain receipt as proof of purchase.

---

**CE** The product complies with the European Safety Standards EN60335-2-30 and the European Standard Electromagnetic Compatibility (EMC) EN55014, EN60555-2 and EN60555-3 which cover the essential requirements of EEC Directives 73/23 and 89/336

---

Glen Dimplex  
(UK) Limited

Millbrook House  
Grange Drive  
Hedge End  
Southampton  
Hampshire SO30 2DF



UK customer helpline (8.00AM - 6.00PM Mon-Fri; 8.30AM-1.00PM Sat)

Customer Help Line      Tel: 0870 7270 101  
Fax: 0870 7270 102  
e-mail: [customer.services@glendimplex.com](mailto:customer.services@glendimplex.com)

Republic of Ireland Tel: 01 842 4833

---