

Contact Details

Please note that some of the contact details on this PDF document may not be current.

Please use the following details if you need to contact us:

Telephone: 0844 879 3588

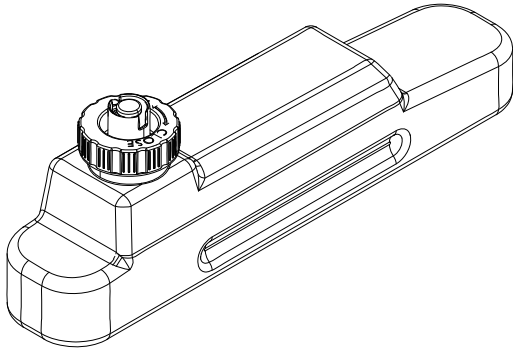
Email: customer.services@gdcgroup.co.uk

The customer support section of our website also features a wide range of information which may be of use to you and is available 24 hours a day. It includes:

- Operating and installation instructions
- Easy 'How to use' guides for storage heaters
- Service and repairs
- Where to buy our products
- Literature downloads
- Heating requirement calculator

Visit - www.dimplex.co.uk/support

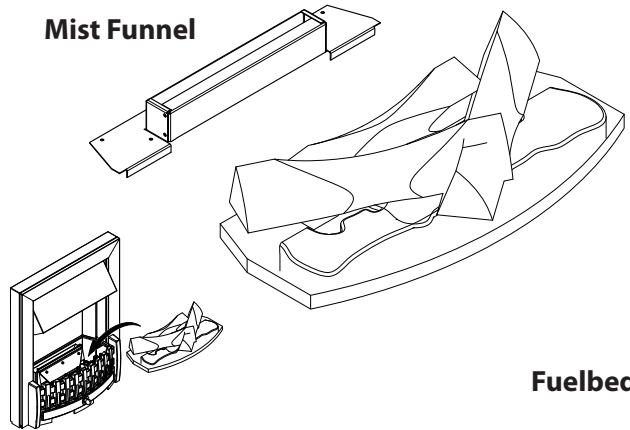
INNER CARTON CONTENTS



Water Tank:

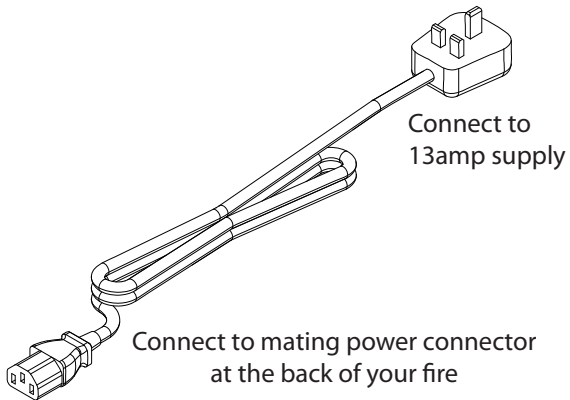
Ensure that the water tank is filled with filtered water. See 'Filling the water tank' in your instructions

Mist Funnel

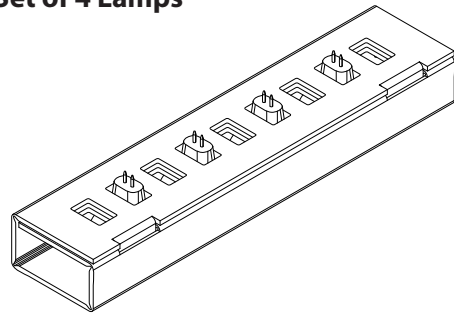


Fuelbed

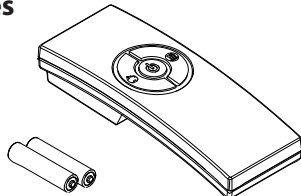
Power Cable



Set of 4 Lamps

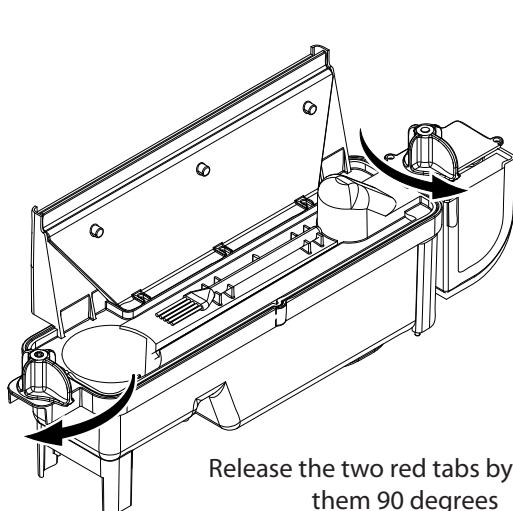
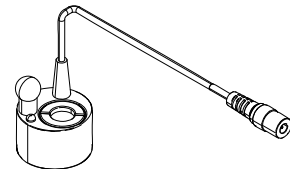


Remote Control Handset + 2xAAA Batteries



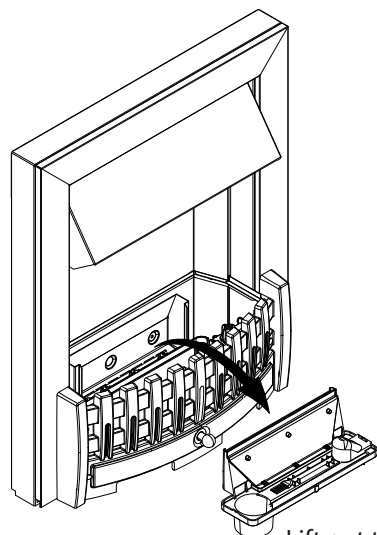
Refer to your instruction manual for operation

Transducer Unit



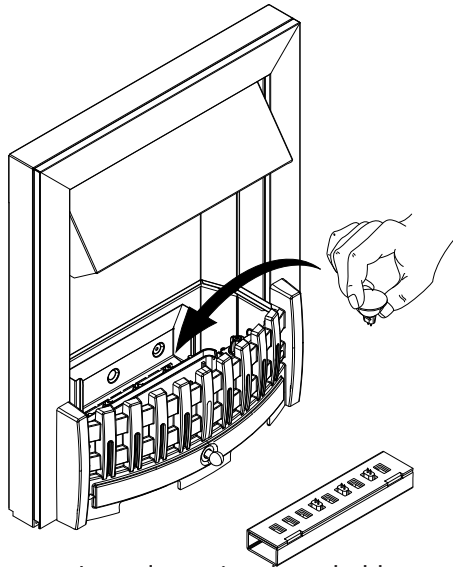
1

Release the two red tabs by turning them 90 degrees



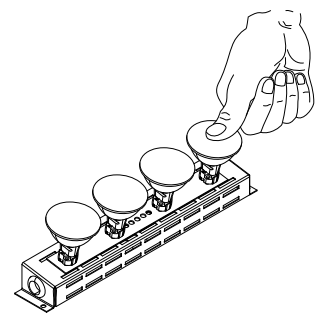
2

Lift out the sump nozzle



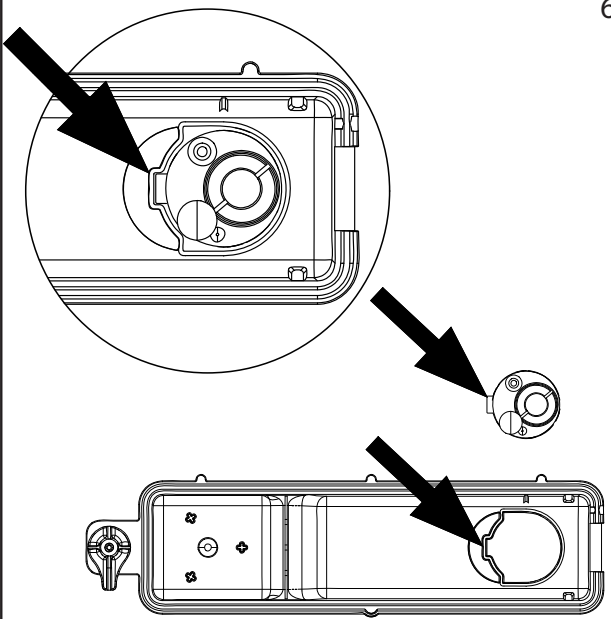
3

Insert lamps into lamp holders, carefully locating the pins into the holes



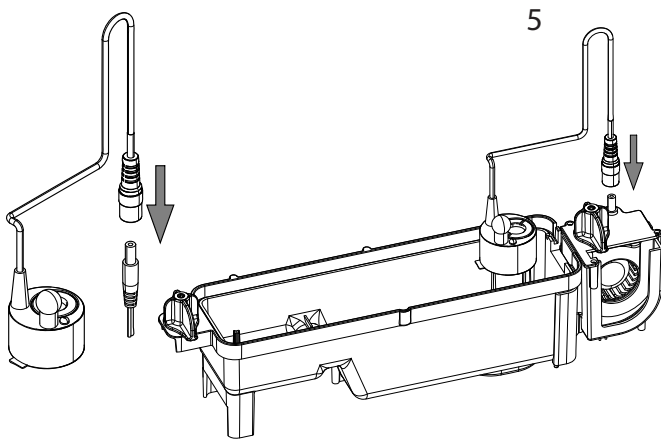
4

Push lamps firmly into place



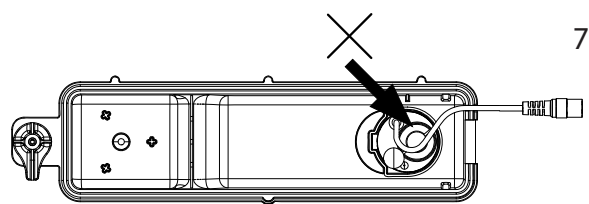
6

Locate the tab on the transducer unit into the moulded recess in the base of the sump

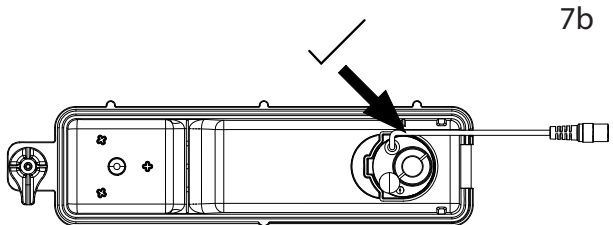


5

Place the transducer unit into the sump and make the connection

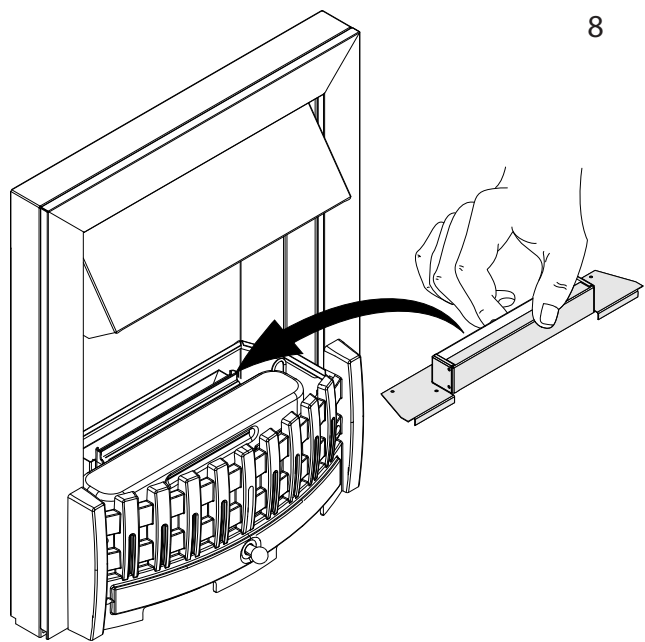


7a



7b

Ensure that the cable does not obstruct the Transducer Disc. To prevent the cable becoming pinched between the nozzle and the sump, place the cable in the slot in the wall of the sump.



8

Place the mist funnel over the mist nozzle, ensuring it is pushed fully to the back of the fire