

PART NO.	DESCRIPTION	ASSY. NO.
WA1R1FS064	FROM 'LIVE' ON ACC BOARD TO CUTOUT 640mm RED SINGLE STRAIGHT	1
WA1B1SS020	FROM FINNED ELEMENT TO NEUTRAL 200mm BLUE SINGLE STRAIGHT	2

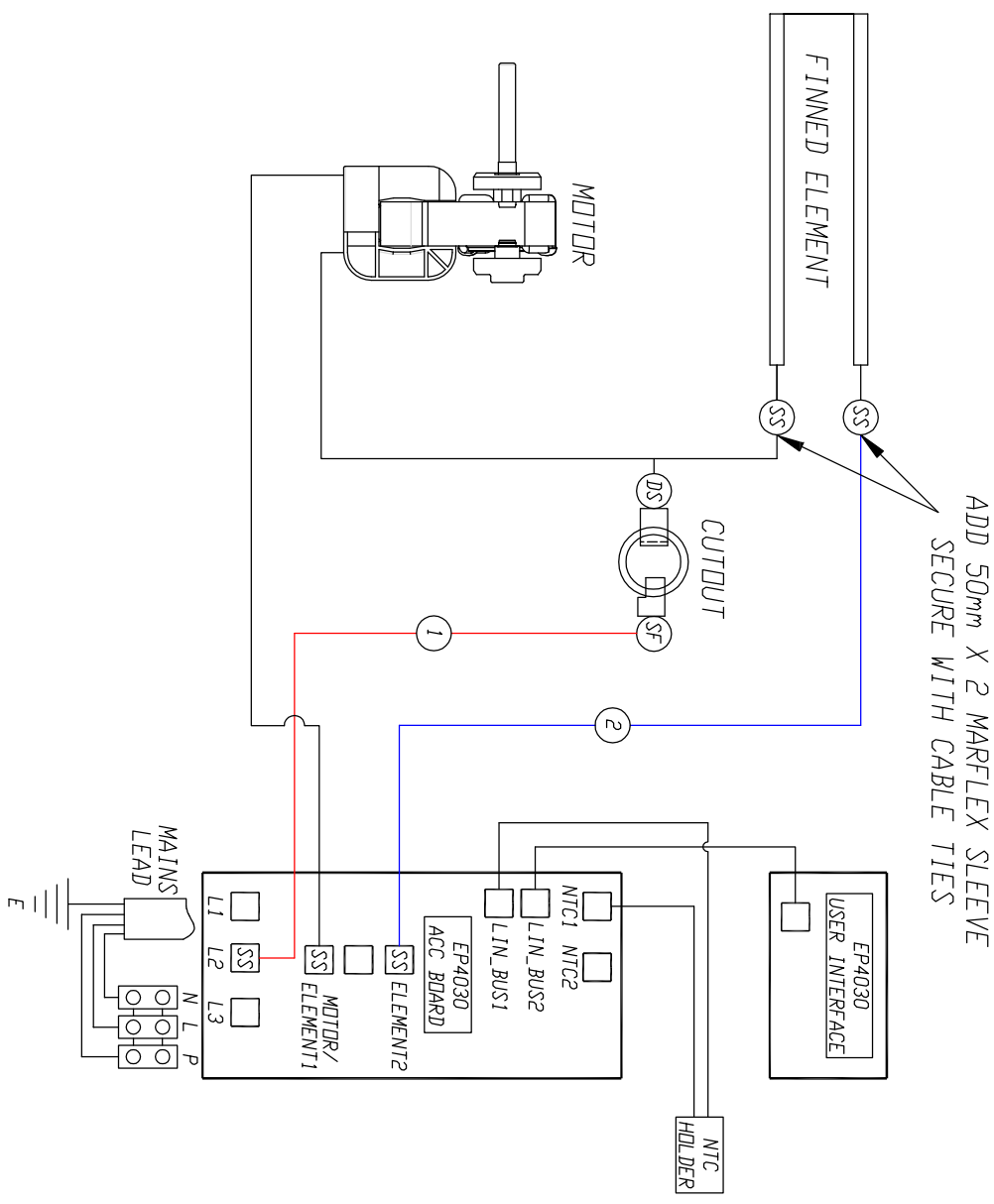
ISSUE	MODIFICATIONS	APPD	DATE	NOTES
1	ISSUED FOR SAMPLE	DMC	06/01/14	
2	ISSUED FOR PRODUCTION	DMC	14/01/14	
3	Wires, were 700 & 220mm now 640 & 170mm	DMC	28/08/14	
4	Replaced new Blue wire with existing one	DMC	29/10/14	

ISSUE	MODIFICATIONS	APPD	DATE	NOTES
1	ISSUED FOR SAMPLE	DMC	06/01/14	
2	ISSUED FOR PRODUCTION	DMC	14/01/14	
3	Wires, were 700 & 220mm now 640 & 170mm	DMC	28/08/14	
4	Replaced new Blue wire with existing one	DMC	29/10/14	

ISSUE	MODIFICATIONS	APPD	DATE	NOTES
1	ISSUED FOR SAMPLE	DMC	06/01/14	
2	ISSUED FOR PRODUCTION	DMC	14/01/14	
3	Wires, were 700 & 220mm now 640 & 170mm	DMC	28/08/14	
4	Replaced new Blue wire with existing one	DMC	29/10/14	

ISSUE	MODIFICATIONS	APPD	DATE	NOTES
1	ISSUED FOR SAMPLE	DMC	06/01/14	
2	ISSUED FOR PRODUCTION	DMC	14/01/14	
3	Wires, were 700 & 220mm now 640 & 170mm	DMC	28/08/14	
4	Replaced new Blue wire with existing one	DMC	29/10/14	

ISSUE	MODIFICATIONS	APPD	DATE	NOTES
1	ISSUED FOR SAMPLE	DMC	06/01/14	
2	ISSUED FOR PRODUCTION	DMC	14/01/14	
3	Wires, were 700 & 220mm now 640 & 170mm	DMC	28/08/14	
4	Replaced new Blue wire with existing one	DMC	29/10/14	



GLEN DIMPLEX RESEARCH & DEVELOPMENT

Dunleer, Co. Louth, Ireland. Tel: 041 51309, Fax: 041 51464.

DRAWN BY	DATE	SCALE	HOLE TOL	GEN TOL
DMC	06/01/14	-	+/-0.05	0 +/-0.4
APP'D BY	DATE	DIM IN	ANGLES	
JH	06/01/14	mm	+/-0.5°	0.00+/-0.1

MATERIAL - FINISH -

THIS DRAWING IS SUPPLIED IN CONFIDENCE AND THE COPYRIGHT THEREOF IS THE PROPERTY OF GLEN DIMPLEX. IT MUST NOT BE USED BY A THIRD PARTY WITHOUT PRIOR PERMISSION. ©1996

PROJECT: For all LST models

TITLE: WIRING DIAGRAM

DRG NO: 0/11776/0

A3
Sht 1 of 1