

INSTRUCTIONS FOR FITTING OPTIONAL FLOOR STANDING FEET

MODELS: WMX/S718N, WMX/S724N, HSX/DA18N & HSX/DA24N ONLY

These feet should only be used when it is not intended to fix the appliance to the wall.

NOTE :- When the feet have been fitted, the appliance MUST be positioned against a wall on a firm surface before building in the storage heater bricks.

DO NOT ATTEMPT TO MOVE THE HEATER, UNDER ANY CIRCUMSTANCES, ONCE THE BRICKS ARE FITTED

CONTENTS

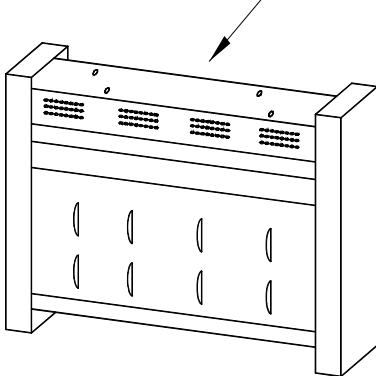
2 x Floor Standing Feet
4 x No. 6 x 3/8" Self Tapping Screws
2 x M4 Taptite Screws
1 x 2.6mm Ø drill bit

TOOLS REQUIRED

Pozi-drive Screwdriver
Electric Drill

1. Remove the outer wrap packing of the heater, ensuring the end packing is left on the heater.

FIG. 1 FRONT OF HEATER



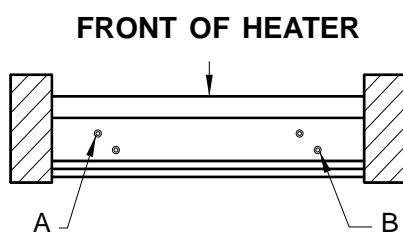
2. Rotate the heater so as it is upside down and the outer front is facing away from the installer. See fig 1.

3. Place an M4 taptite screw as supplied in the fixing kit in each of the drawn holes A and B. See fig 2A.

4. Tighten both the screws until they are approximately half way into the base of the heater.

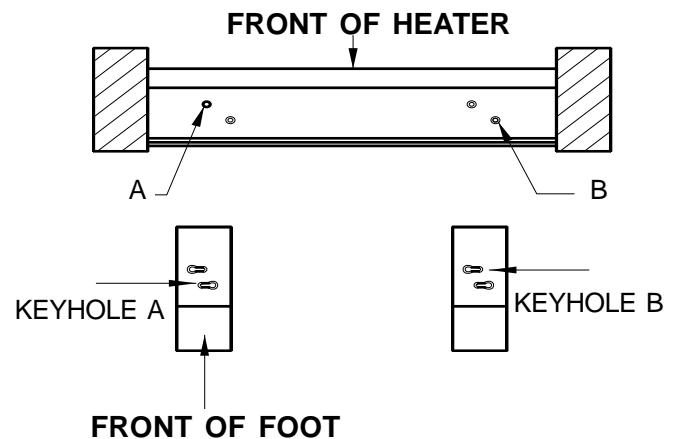
5. Taking one of the floor standing feet and viewing as shown in fig 2B, rotate the foot to position Keyhole A over the taptite screw located in hole A.

FIG. 2A



TOP VIEW OF HEATER

FIG. 2B TOP VIEW OF HEATER



TOP VIEW OF FEET

6. Slide the foot across until the screw is located in the smaller section of the keyhole. See fig 3A.

7. Using a pozi-drive screw driver, locate the taptite screw through the hole provided as shown in Fig 3B.

8. **Note: At this stage the feet must be parallel and pointing forwards.** Tighten both screws securely, ensuring they are located correctly in the keyholes.

9. Observe holes C,D,E, and F as shown in fig 4, at the rear fixing bracket of the floor standing foot.

10. Taking the 2.6mm drill bit supplied in the fixing kit, drill four holes through the body of the heater using holes C,D,E and F as a template. **Do not allow the drill bit to travel more than 5mm into the heater.** Please ensure the heater is gripped firmly and the feet remain in position.

11. Secure the back of the feet to the heater by fixing the four No.6 x 3/8" self tapping screws provided through the holes C,D,E and F.

12. With the feet securely fixed to the heater, rotate the heater onto its feet and then remove the side packing.

13. Cable entry may be effected from either the right or the left side of the unit, but the cable should be routed around the back of the foot and then fed through the appropriate retaining clips.

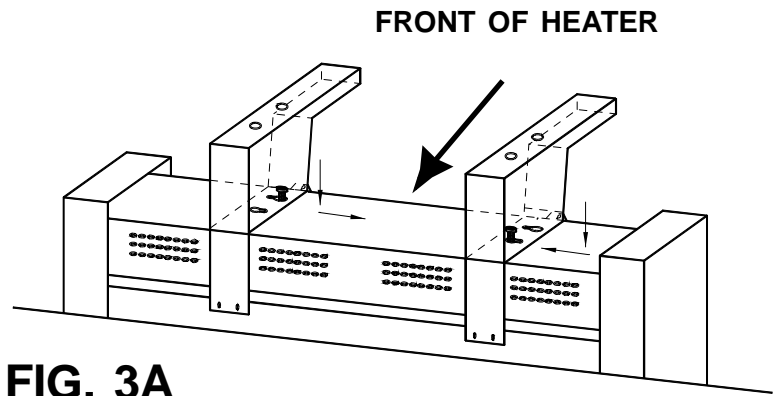


FIG. 3A

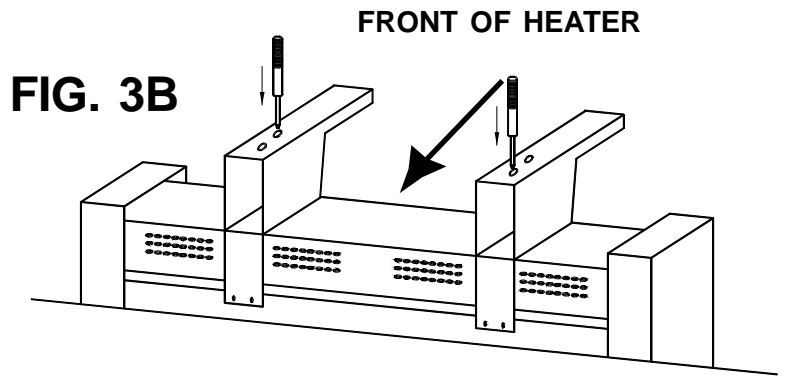


FIG. 3B

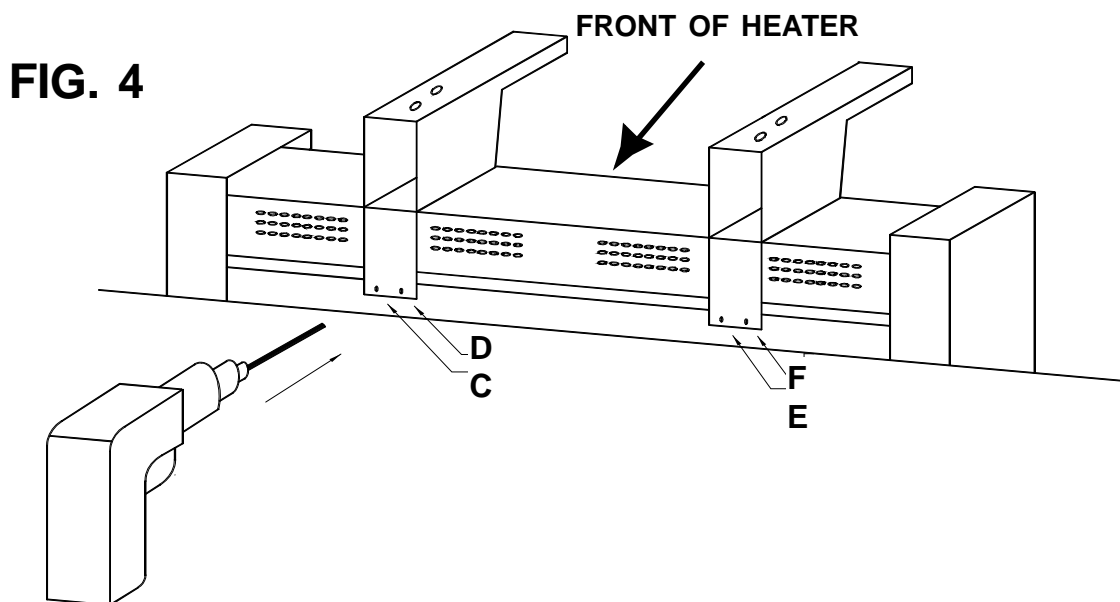


FIG. 4