

Dimplex Low Wattage Panel Heaters

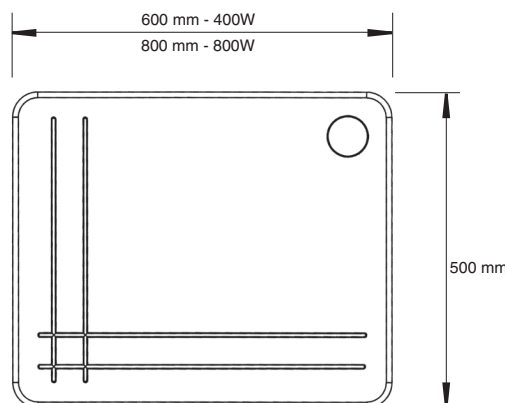
INDUKLWPRG Issue 13

Models: DXLWP400, DXLWP400TI, DXLWP800, DXLWP800TI N, DXLWP800TI B & ARLWP800TI



Dimensions (millimetres)

Models	Specification
DXLWP400	400W Neon Heat Switch
DXLWP400TI	400W Neon Heat Switch / 24 Hour Timer
DXLWP800	800W Neon Heat Switch
DXLWP800TI N	800W Neon Heat Switch / 24 Hour Timer
DXLWP800TI B	800W ON/OFF, 2 Switches/ 24 Hour Timer
ARLWP800TI	800W 2 Neon Heat Switches / 24 Hour Timer



THESE INSTRUCTIONS SHOULD BE READ CAREFULLY AND RETAINED FOR FUTURE REFERENCE

Important Safety Advice

When using electrical appliances, basic precautions should always be followed to reduce the risk of fire, electrical shock, and injury to persons, including the following:

IMPORTANT – The wall bracket supplied with the appliance must be used.


WARNING – DO NOT USE THIS HEATER IN THE IMMEDIATE SURROUNDINGS OF A BATH, A SHOWER OR A SWIMMING POOL.

IMPORTANT – If the heater is installed in a room containing a bath or shower, it must be so installed that switches and other controls cannot be touched by a person using a bath or shower. Do not use outdoors.

Do not locate the heater immediately below a fixed socket outlet or connection box.

WARNING: In order to avoid overheating, do not cover the heater. Do not place material or garments on the heater, or obstruct the air circulation around the heater, for instance by curtains or furniture, as this could cause overheating and a fire risk.

NEVER cover or obstruct in any way the heat outlet slots at the top of the heater or the air inlet slots in the base of the heater.

 The heater carries the Warning symbol indicating that it must not be covered.

CAUTION - Some parts of this product can become very hot and cause burns. Particular attention has to be given where children and vulnerable people are present.

This appliance can be used by children aged from 8 years and above and by persons with reduced physical, sensory or mental capabilities or lack of experience and knowledge if they have been given supervision or instruction concerning use of the appliance in a safe way and understand the hazards involved.

Children shall not play with the appliance. Cleaning and user maintenance shall not be made by children without supervision.

Children of less than 3 years should be kept away unless continuously supervised.

Children aged from 3 years and less than 8 years shall only switch on/off the appliance provided that it has been placed or installed in its intended normal operating position and they have been given supervision or instruction concerning use of the appliance in a safe way and understand the hazards involved. Children aged from 3 years and less than 8 years shall not plug in, regulate and clean the appliance or perform user maintenance.

Note that due care and consideration must be taken when using this heater in series with a thermal control, a program controller, a timer or any other device that switches on the heat automatically, since a fire risk exists when the heater is accidentally covered or displaced.

If the supply cord is damaged it must be replaced by the manufacturer or service agent or a similarly qualified person in order to avoid a hazard.

WARNING: Servicing and product repairs should only be undertaken by the manufacturers approved service agent or a similarly qualified person, using only exact manufacturer approved spare parts.

WARNING: This heater is not equipped with a device to control the room temperature. Do not use this heater in small rooms when they are occupied by persons not capable of leaving the room on their own, unless constant supervision is provided.

Electrical Connection

WARNING THIS APPLIANCE MUST BE EARTHED

If the socket outlets in your home are not of the 13 amp BS1363 type they will not accept the plug connected to this heater, therefore cut off the plug. When cut off this plug can constitute a shock hazard if inserted into a socket outlet. It must therefore be disposed of safely.

Before wiring the appropriate plug please note that the wires in this mains lead are coloured in accordance with the following code.

GREEN/YELLOW:	EARTH
BLUE:	NEUTRAL
BROWN:	LIVE

Connect the **Green/Yellow** wire to the terminal marked **E** or the earth symbol \oplus or coloured **Green** or **Green/Yellow**.

Connect the **Brown** wire to the terminal marked **L** or coloured **Red**.

Connect the **Blue** wire to the terminal marked **N** or coloured **Black**.

DO NOT connect the **Brown (Live)** or the **Blue (Neutral)** wires to the **Earth** terminal of your 13 amp plug. If the terminals of the plug are unmarked or you are in any doubt, consult a qualified electrician.

CAUTION: If you use this heater in conjunction with a thermal control, programme controller, timer or any other device which switches the heater on automatically observe all safety warnings at all times.

Positioning the Heater

Select the position for the heater ensuring there is clearance from any furniture and fittings of at least 150mm above the heater, 50mm below (wall mounted), 25mm each side and 300mm from the front panel. Curtains must not be closer than 150mm from the top and/or sides of the heater.

Free Standing Operation (see Fig. 1)

NEVER USE THE HEATER FREE STANDING WITHOUT THE FEET FITTED (FEET ARE PACKED SEPARATELY IN CARTON).

1. Lay the heater on its front.
2. Remove the two star head screws from the base of the heater using a x-head screwdriver.
3. Place feet over base of heater, align holes and engage hook on foot into the recess on the back of the heater - see Fig. 1.
4. Replace the screws but do not overtighten.

Rear View

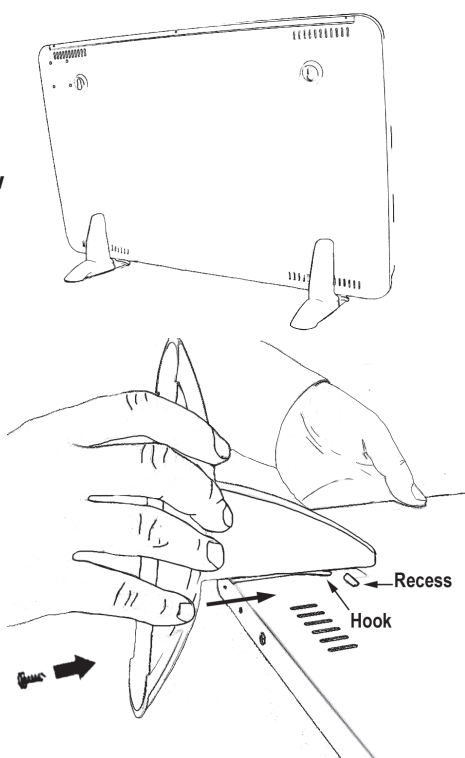


Fig. 1

Please Note: Although this heater is manufactured to comply with the relevant safety standards, certain types of carpets could become discoloured by the temperatures under a portable heater. If you are concerned about this, we recommend that you contact the carpet manufacturer for guidance. Alternatively, either stand the heater on a suitable base to shield the carpet or wall mount it.

Installation

The Fixing Kit should contain: 1 Drilling Template, 3 Screws, 3 Rawlplugs and 1 Mounting Bracket.

Wall Mounted Operation (see Fig. 2)

Suggested Fixings

SOLID BRICK/BLOCK: No. 8 Rawlplug inserts, 6mm drill bit.

PLASTERBOARD: If possible locate studding and use No. 8 woodscrews directly into the wood, otherwise M5 rawlplug intersets are suitable.

NOTE: FOR OTHER WALL TYPES (e.g. Timber frame and hollow concrete) **SEEK SPECIALIST ADVICE.**

1. Select the position for the heater ensuring there is clearance from any furniture and fittings of at least 150mm above the heater, 50mm below, 25mm each side and 300mm from the front panel. Curtains must not be closer than 150mm from the top and/or sides of the heater.
2. Position the drilling template provided on the wall ensuring it is level. Mark the position of the relevant holes on the wall at the edge of template. Before drilling check that the distance between the hole centres is correct, 340mm for 400W Models and 540mm for 800W models (see Fig. 2).

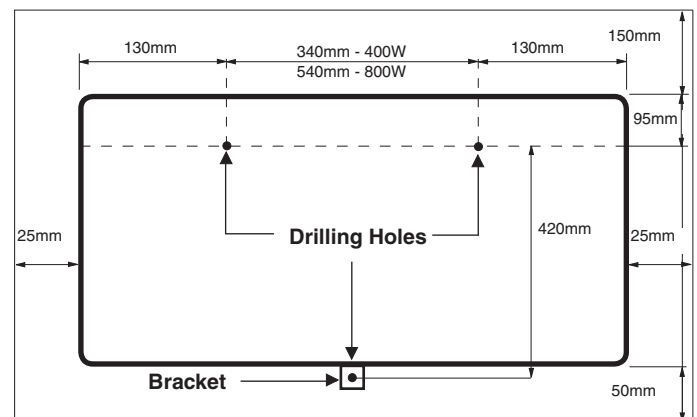


Fig. 2

3. Drill the wall at the three marked positions and fit the wall plugs.

Ensure template has been removed.

4. Fix two No. 8 screws to the top two holes leaving 3mm of the screw exposed. Hang the heater on the screws.
5. Fit the bottom bracket, found in the fixing kit, in the slot at the base of the heater and screw the bracket to the wall.

Test that the heater is now securely fixed to the wall.

Operation

IMPORTANT - OBJECTS OR CLOTHING MUST NOT BE PLACED ON THIS HEATER.

Before using the heater ensure that all warnings and instructions have been read carefully.

OPERATION - SINGLE RATED MODELS

Models:

DXLWP400, DXLWP400TI, DXLWP800, and DXLWP800TI N

Turn the heater on using the switch on the right side of the heater - the switch will be illuminated.

OPERATION - DUAL RATED MODELS

The two switches on the side of the heater control the heat output.

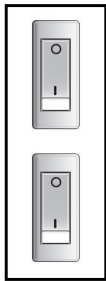
ARLWP800TI

Both switches illuminated indicates maximum output.

Top switch only illuminated indicates 500W output on 800W model.

Bottom switch only illuminated indicates 300W output on 800W model.

DXLWP800TI B



Position O - OFF

Position I - ON

Both switches in **Position I** indicates maximum output.

Top switch only in **Position I** indicates 500W output on 800W model.

Bottom switch only in **Position I** indicates 300W output on 800W model.

Fig. 3

Note: On models fitted with a timer, at least one switch must be illuminated or in **Position I** for the heater to operate.

MODELS WITH TIMER - (see Fig. 4)

DXLWP400TI and DXLWP800TI N - 1 Switch,

The switch on the side of the heater turns the heater on.

Note: This switch must be in the "on" position before the heater will operate.

DXLWP800 TI B & ARLWP800TI - 2 Switches

The two switches on the side of the heater control the amount of heat available as described above, (Operation - Dual Rated Model).

NOTE: At least one switch must be in the 'On' position before the heater will operate.

Models with Timer

DXLWP400TI, DXLWP800TI N, DXLWP800TI B & ARLWP800TI

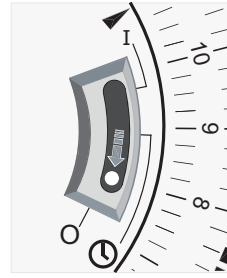


Fig. 4

Set the I - ⌚ - O slide switch on the timer (Fig. 4) to:

Position O - Heating Off

Position I - Manual operation

This setting allows power to the heater uninterrupted by the timer settings. The heat selector switch will control the output (see 'Using the heater').

Position ⌚ - 'Auto' operation

DO NOT disconnect this heater from the mains supply unless it is being taken out of use (e.g. in summer or for storage), otherwise the timer clock will stop.



Fig. 5

Setting the time of day

To set the time of day, rotate the timer dial clockwise (indicated by the arrow) until the correct time of day is opposite the reference mark ▶ (see Fig. 5).

The 24-hour clock is used: e.g. time shown for 3 pm is '15' (15:00hrs).

Setting the 'Auto' ON and OFF times

To set the timer:

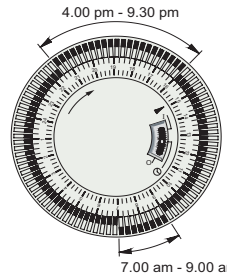


Fig. 6

1. Using your finger tip or the tip of a pencil, push in as many segments as necessary around the dial, according to the times you don't require heat – see Fig. 4. Each segment pushed in switches the heater OFF for that part of the hour. All other segments will be ON. For example, Fig. 6 shows the timer set to switch the heater ON between 7 am and 9 am and between 4 pm and 9.30 pm .

2. You can select as many ON periods as you like, within the 24-hour day. The settings will repeat every day until changed.

3. To change ON and OFF times, simply push in any 'ON' segments you wish to cancel and pull out new 'ON' segments as required.

Switching to auto

Set the heat selector for the heat output required.

Check that the clock shows the correct time of day. Set the I - ⌚ - O slide switch to ⌚ (see Fig. 4) - the convector will switch ON and OFF according to the timer settings (see Fig 5).

IMPORTANT NOTES

Remember to observe all safety warnings when operating the heater on auto setting unattended or attended.

If the mains supply to the heater is interrupted, the timer clock will stop until power is restored; reset the time of day to ensure correct ON and OFF times.

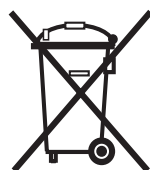
Cleaning

WARNING – ALWAYS DISCONNECT FROM THE POWER SUPPLY BEFORE CLEANING THE HEATER.

Do not use detergents, abrasive cleaning powder or polish of any kind on the body of the heater.

Allow the heater to cool, then wipe with a dry cloth to remove dust and a damp cloth (not wet) to clean off stains. Be careful not to allow moisture into the heater.

Recycling



For electrical products sold within the European Community.

At the end of the electrical products useful life it should not be disposed of with household waste. Please recycle where facilities exist. Check with your Local Authority or retailer for recycling advice in your country.

After Sales Service

Your product is guaranteed for three years from the date of purchase.

Within this period, we undertake to repair or exchange this product free of charge (subject to availability) provided it has been installed and operated in accordance with these instructions.

Your rights under this guarantee are additional to your statutory rights, which in turn are not affected by this guarantee.

Should you require after sales service you should contact our customer services help desk on 0844 879 3588. It would assist us if you can quote the model number, series, date of purchase, and nature of the fault at the time of your call. The customer services help desk will also be able to advise you should you need to purchase any spares.

Please do not return a faulty product to us in the first instance as this may result in loss or damage and delay in providing you with a satisfactory service.

Please retain your receipt as proof of purchase.



The product complies with the European Safety Standards EN60335-2-30 and the European Standard Electromagnetic Compatibility (EMC) EN55014, EN60555-2 and EN60555-3 which cover the essential requirements of EEC Directives 73/23 and 89/336

Dimplex UK Limited
Millbrook House
Grange Drive
Hedge End
Southampton
Hampshire. SO30 2DF

UK customer help line 8.00am–5.00pm Mon-Fri and 8:30am-1.00pm Sat (October-March)

Customer Services: Tel. 0845 600 5111
Fax. 01489 773053
e-mail customer.services@glendimplex.com

Republic of Ireland Tel. 01 8424833

[c] Dimplex UK Limited

All rights reserved. Material contained in this publication may not be reproduced in whole or in part, without prior permission in writing of Dimplex UK Limited.