

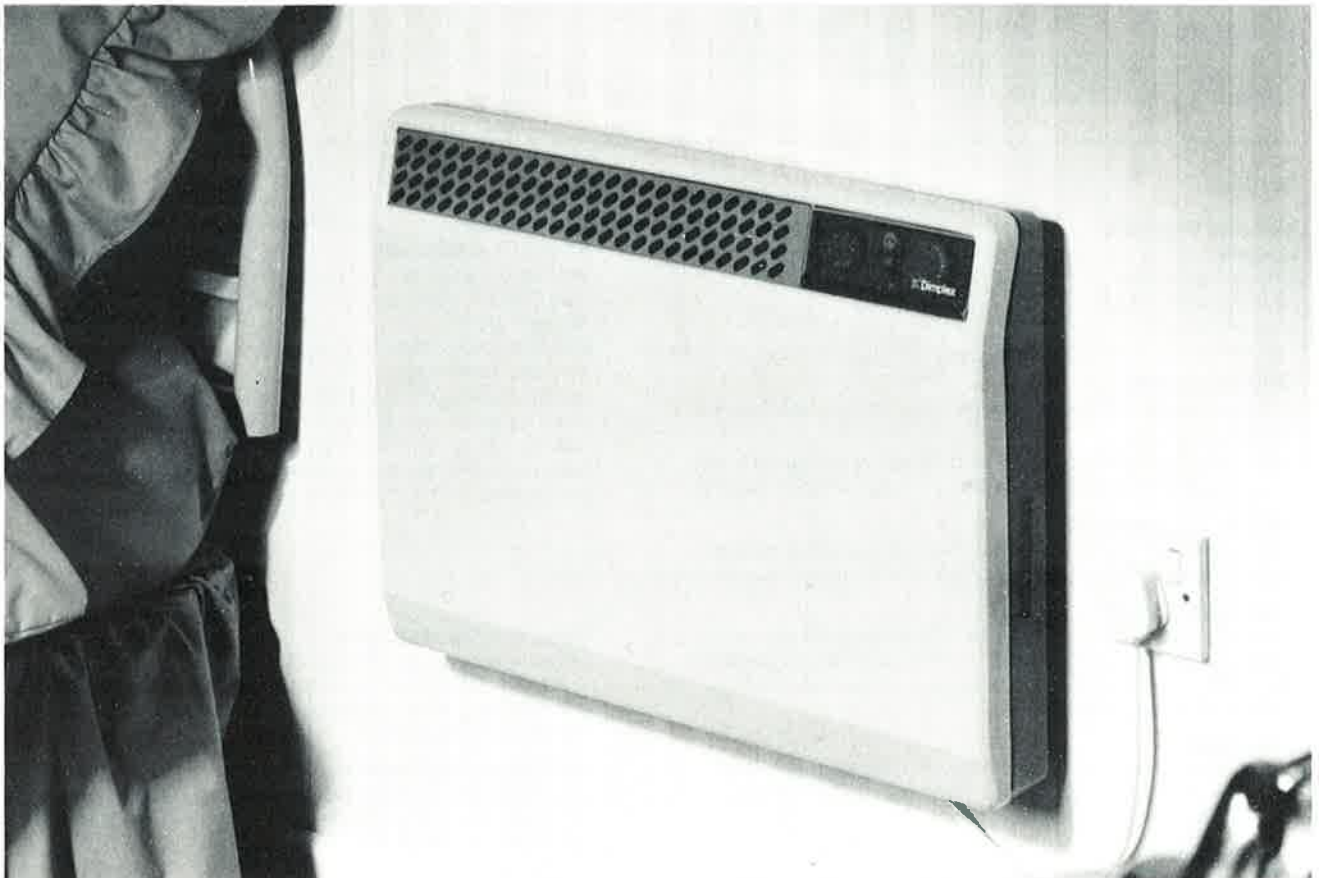
(56-6) xh

February 1989

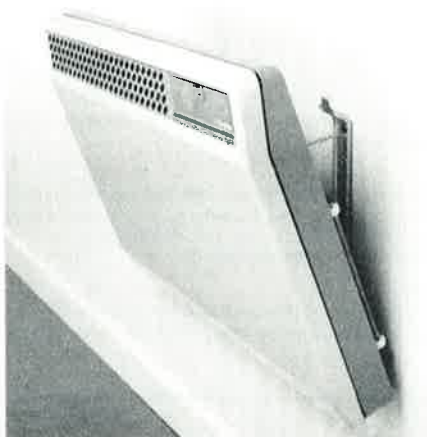
Dimplex Electric Heating

Storage Heaters · Oil-filled Radiators · Convector Heaters · Radiant Convector Heaters
Fuel Effect Fires · Infra-red Heaters · Electric Towel Rails · Fan Heaters

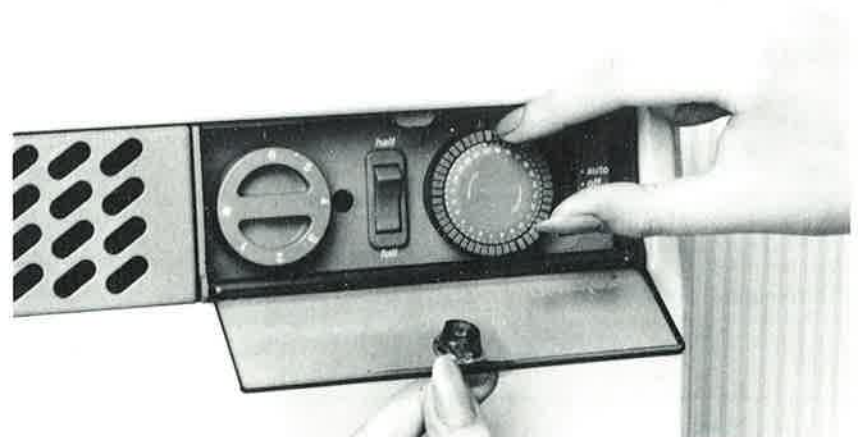
Panel Convector Heaters PLX Range



Model PLX125 SPL/TI



All PLX heaters hinge forward off the wall for easy cleaning.



PLX/TI Controls. (For position of PLX300/PLX300/TI controls see diagram overleaf.)

Technical Specifications

The new PLX wall-mounted panel convector heaters are compact, attractive heaters designed as an integral part of the Dimplex Stylist Collection of co-ordinated heating appliances. Using a new finned element the length of the heaters has been kept to a minimum, and they occupy minimal wall space. The 750 watt, 1250 watt and 1500 watt models are splashproof as standard making them suitable for use in bathrooms* and all models incorporate a controls cover which is lockable using a

narrow bladed screwdriver. The 2000 watt and 3000 watt models are available splashproof to special order.

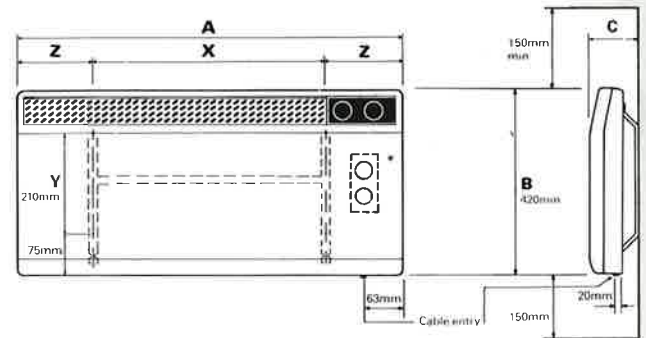
All sizes of heater are available with or without a programmable 24 hour timer, and incorporate a half heat switch which allows the loading of the heater to be switched down to half its maximum rating.

*When installed in accordance with the IEE wiring regulations.

Fixing Dimensions

Model	Loading watts	A	Millimetres		
			X	Z	C
PLX075SPL and /TI	750	444	188	128	93
PLX125SPL and /TI	1250	614	358	128	93
PLX150SPL and /TI	1500	682	358	162	93
PLX200 and /TI	2000	852	528	162	93
PLX300 and /TI	3000	852	528	162	130

The model numbers of the splashproof heaters include the letters SPL, e.g. PLX125 SPL/TI.

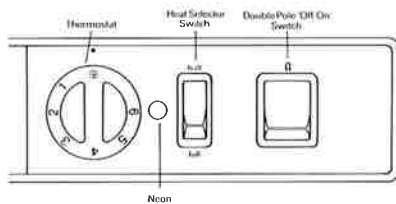


* Controls position '300' models.

Controls

PLX and PLX-SPL Models

Each heater has two switches, a thermostat knob and a neon indicator.



OFF/ON switch.

A double pole OFF/ON switch controls the electricity supply to the heater.

If the heater is connected to the electricity supply and the OFF/ON switch is in the ON position, the NEON indicator will be illuminated.

Heat Selector Switch

This switch is marked 'half' and 'full'. When this switch is set to the 'half' position the heater will operate at half its maximum rated output.

Thermostat Knob

This knob is marked * and 1-6. The * setting represents a room temperature of approximately 5°C and may be used for protection against frost. The other settings range up to a maximum room temperature of approximately 35°C.

Elements

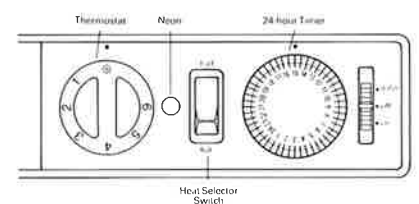
Finned, metal sheathed mineral filled type. Each model has two elements (except the '300' models which have four elements) fitted on flexible expansion mountings.

Thermostat

Hydraulic type with temperature sensor outside heater case in space between heater and wall.

PLX/TI and PLX-SPL/TI Models

In place of the double pole ON/OFF switch on the standard PLX and PLX-SPL models the /TI versions incorporate a



precision 24-hour timer which is easily set and may be programmed to make the heater switch on and off in any combination of the forty-eight consecutive 30-minute periods in the day. A manual override switch may be used to enable the heater to provide instant heat during an OFF period without affecting the pre-set programme.

Electrical Connections

Length of supply cable fitted to allow connection from either side. Suitable connection to the wiring of the premises and double pole switching must be provided adjacent to the appliance to comply with the IEE wiring regulations.

Wall Mounting Frames

Each heater has a detachable hinged wall mounting frame which eases and reduces time taken for installation, and enables the heater to be hinged forward for periodic cleaning.

Colour/Finish

Powder coat finish in misty grey with dawn grey grille.

BEAB Approval

This range of Dimplex PLX panel heaters has received the Certificate of Approval from the British Electrotechnical Approvals Board which signifies that they are produced to the stringent safety requirements for domestic electrical appliances as laid down in BS3456.

Bathroom Use

Any electrical appliances installed in a bathroom should be fitted by a competent electrician in accordance with the current IEE Regulations.

Heaters that can be permanently fixed have to be so mounted that no part of them can be touched by a person using a bath or shower.

The Dimplex Range

In addition to the heaters illustrated in this leaflet, Dimplex manufactures other electrical heating appliances. Full details are available from the Marketing Department.

Specifications and prices

Dimplex policy is one of continuous improvement; the Company therefore reserves the right to alter specifications and prices without notice. The information given is correct at the time of printing but you are advised to consult your Dealer before purchasing.

Guarantee

All Dimplex appliances are guaranteed for one year from the date of purchase. We undertake to exchange or repair free of charge within this period any part found to be defective due to a manufacturing fault. This guarantee in no way prejudices the customer's rights under common law.

After Sales Service

Dimplex operates a comprehensive after sales service which includes a network of Service Agents situated throughout the main population centres of the United Kingdom.

Convactor Heaters PLX and PLX-SPL Models

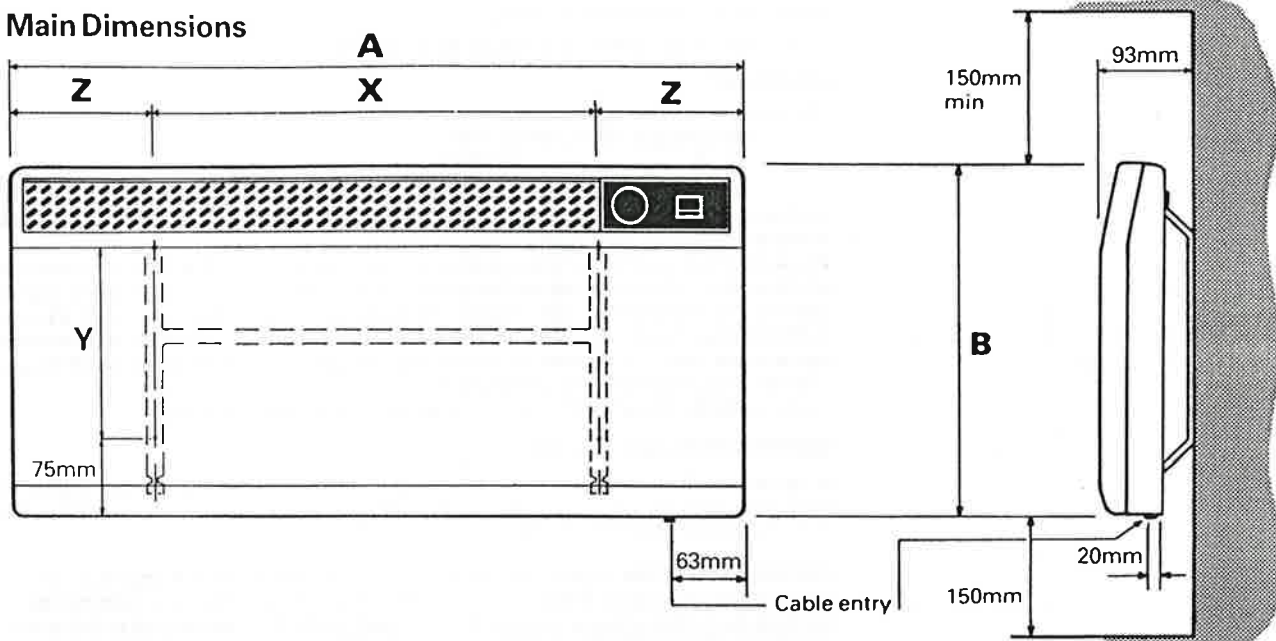


IMPORTANT

INSTALLER AND USER PLEASE NOTE – These instructions should be read carefully and left with the USER of the heater for future reference.

IF THE HEATER IS SPLASHPROOF THIS WILL BE INDICATED BY THE SYMBOL  ON THE RATING LABEL ON THE REAR OF THE HEATER AND THE MODEL NUMBER SUFFIX – SPL

Main Dimensions



	Watts	millimetres				
		A	B	X	Y	Z
PLX075SPL	750	444	420	188	210	128
PLX125SPL	1250	614	420	358	210	128
PLX150 and PLX150SPL	1500	682	420	358	210	162
PLX200 and PLX200SPL	2000	852	420	528	210	162

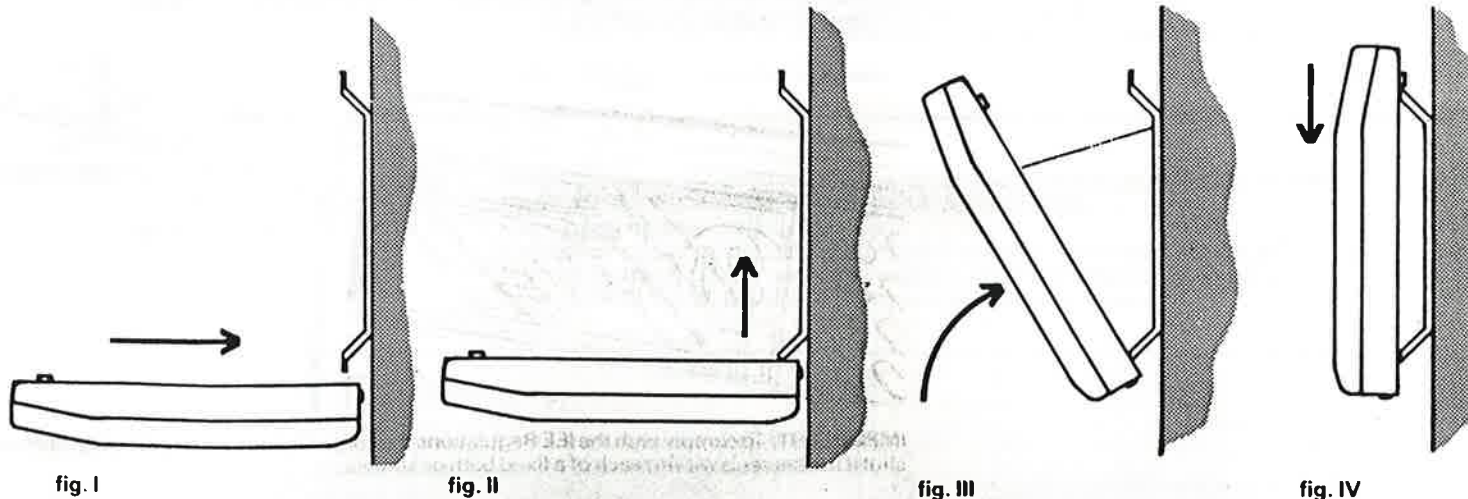
To wall-mount

IMPORTANT

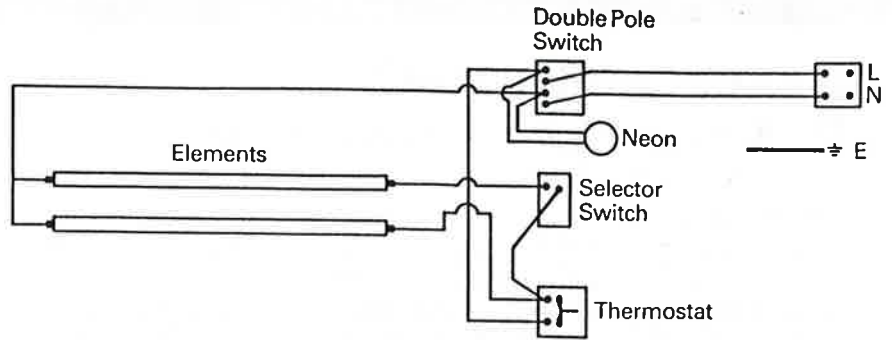
The wall brackets supplied with the appliance **must** be used.

Location of the wall brackets is facilitated by the notch centrally positioned on the wall bracket spacer bar.

- 1 Fix wall bracket to wall using screw holes provided.
- 2 Fig. I. Present heater to wall bracket.
- 3 Fig. II. Locate heater on wall bracket.
- 4 Fig. III. Hinge heater to upright position and locate chains in holes in back panel.
- 5 Fig. IV. Locate heater on wall bracket top.



Electrical/Wiring diagram



The voltage of each appliance is shown on its identity label. It must only be used on an a.c. electricity supply having the same voltage.

WARNING: THIS APPLIANCE MUST BE EARTHED

IMPORTANT

The wires in the mains lead are coloured in accordance with the following code:

GREEN and YELLOW: EARTH
BLUE: NEUTRAL
BROWN: LIVE

As the colours of the wires in the mains lead of this appliance may not correspond with the coloured markings identifying the terminals in your plug, proceed as follows:

The wire which is coloured green and yellow must be connected to the terminal in the plug which is marked with the letter E or by the earth symbol \oplus or coloured green or green and yellow. The wire which is coloured blue must be connected to the terminal which is marked with the letter N or coloured black. The wire which is coloured brown must be connected to the terminal which is marked with the letter L or coloured red. This appliance must only be used on A.C. mains supply. 240 Volts \sim .

If your installation is fitted with 2-pin sockets, consult your electrician.

BATHROOM INSTALLATIONS

If the heater is installed in a room containing a bath or shower the electrical installation must be carried out by a competent electrician and be in strict accordance with current I.E.E. regulations for Electrical Equipment in Buildings.

IMPORTANT: If the heater is a 750W or 1250W Model it is BEAB approved to splashproof standards. If the heater is a 1500W or 2000W model and carries the symbol Δ on the rating label on the rear panel it is BEAB approved to splashproof standards. **IF IT DOES NOT CARRY THIS SYMBOL IT IS NOT APPROVED TO SPLASHPROOF STANDARDS.**

PLEASE NOTE:

If the heater is splashproof an auxiliary earth terminal is provided on the rear panel of the heater for equipotential bonding. This is mandatory in bathroom installations.

USER INSTRUCTIONS

WARNING – THE SURFACE OF THIS HEATER CAN BE HOT

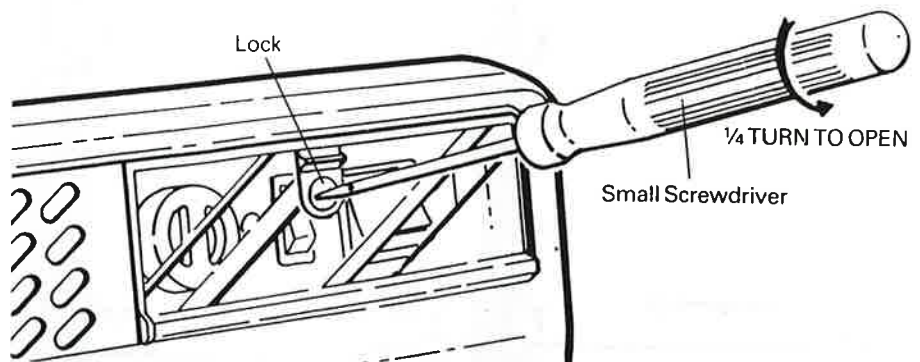
The surface temperatures of this heater are within the requirements of BS3456, and momentary contact with any part of the heater should not cause injury.

However, aged or infirm persons, or young children should not be left unsupervised in the vicinity of the heater unless a suitable guard is fitted.

Access to the controls

The controls cover on your new heater has a latch which may be locked shut if desired using a small bladed screwdriver.

To open the cover insert the blade of the screwdriver in the small slot and rotate a quarter of a turn anticlockwise to disengage the latch. The cover may then be hinged forward for access to the controls.



IMPORTANT: To comply with the IEE Regulations the control cover should be kept locked shut if the heater is within reach of a fixed bath or shower.

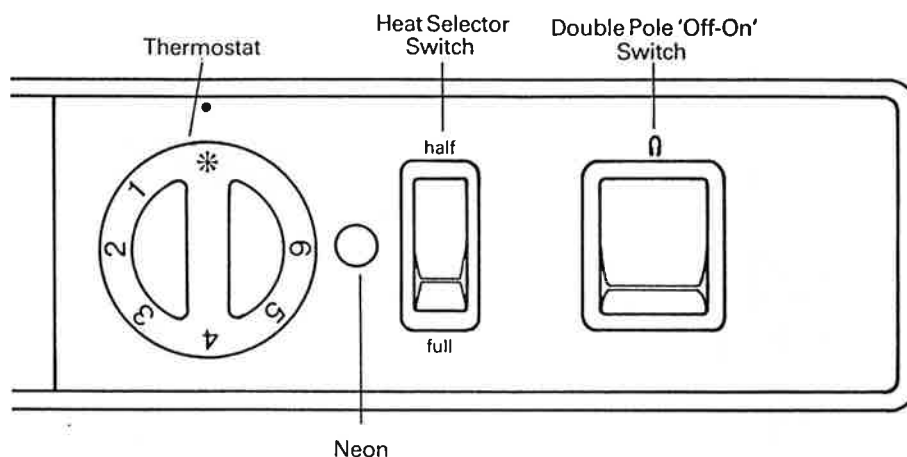
Do not cover the heater

The air circulation around the heater **MUST NOT BE OBSTRUCTED**, for instance by curtains or garments.

ON NO ACCOUNT SHOULD ANY PART OF THE HEATER BE COVERED BY TOWELS OR GARMENTS.

Control of Room Temperature

The thermostat is used to control the level of air temperature achieved in the room. The thermostat control knob is marked * and 1-6. The higher the number to which the knob is set the higher is the room temperature selected. The * setting represents a room temperature of approximately 5°C and may be used for protection against frost. The other settings range up to a maximum room temperature of approximately 35°C. These room temperatures will be achieved only if the correct size of heater has been selected for the room to be heated, and for the anticipated weather conditions.



Selection of heater output

A half/full heat selector switch is provided. When this is set to "half" the heater will operate at half the maximum rated output.

Setting your comfort level

To determine the thermostat setting which provides your room temperature requirements switch on the heater and turn the knob to number 6. When the room has reached the desired temperature, turn the knob back slowly until it just clicks. The thermostat will then switch the heater on, and off automatically to maintain the desired level of comfort.

Please note

If the temperature of the room is above the level set on the thermostat knob, the heater will not emit heat. It does not mean the heater is faulty. If heat is required under these circumstances the thermostat knob should be turned to a higher setting.

Neon Indicator

A neon indicator light shows when the heater is connected to a mains supply and the ON/OFF switch on the heater is in the ON position.

Please note

It is possible that the heater is **NOT** providing heat when the neon is illuminated because the thermostat may have switched off the electricity supply to the heating elements.

Important: Do not cover the appliance.

Cleaning

Before cleaning your convector, first switch off and allow it to cool. The outside can be cleaned by wiping it over with a damp cloth and then dried.

Do not use abrasive cleaning powders.

To gain access to the inside, first disconnect the appliance from the electricity supply. Then remove the front panel by undoing the screws along the bottom edge and lift off.

* After cleaning the inside, replace front panel and secure with screws.

Guarantee

Your Dimplex Convector is guaranteed for one year from date of purchase. We undertake to exchange or repair free of charge within this period any part found to be defective due to a manufacturing fault. This guarantee in no way prejudices your rights under common law. Should you require after sales service, please get in touch with the supplier through whom you purchased the appliance, or contact your nearest Dimplex Service Agent. Please do not initially return a faulty appliance or part of an appliance to us as this may result in transit damage and/or delay in providing service. Let us know your difficulty, quoting the model number and series letter of the appliance we will then take the appropriate action.
