

Q-Rad Electric Radiator



Key Features

- Highly accurate electronic thermostat
- Advanced controls with cap-sense technology for total flexibility of heating
- Convected heat for rapid warm up, radiant heat for added comfort
- Attractive styling to match the Quantum range of off-peak heaters.

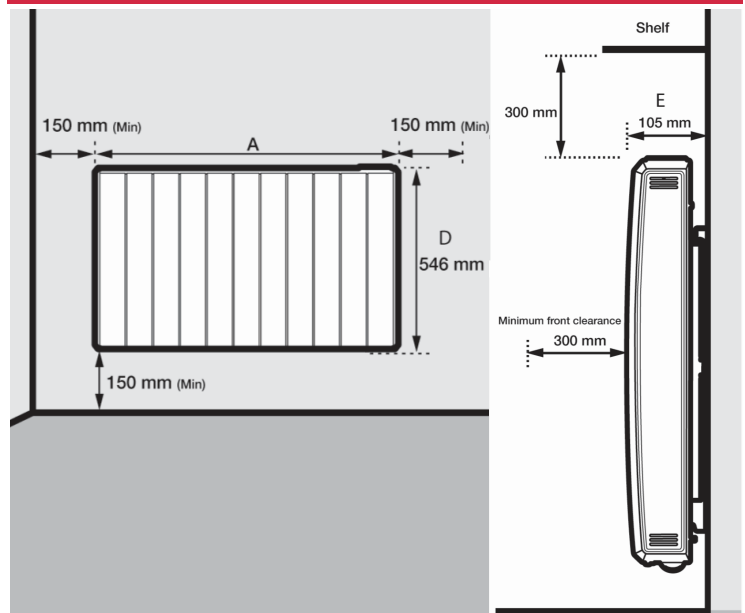
Product Description

Q-Rad features intuitive user controls, allowing the programming of multiple 7-day timer profiles via a backlit LCD display and capacitive buttons

Technical Details

Controls	Cap-sense programmer offering pre-set programmes, comfort and setback temperature selection. Additional settings include holiday mode, control lock, open window sensing and automatic warm-up technologies.
Thermostat	Electronic type, accurate to +/-0.2°C
Thermal Cut out	Automatic reset
Element	Convection—Tubular element with aluminium coated fins for improved convective performance. Radiant—Cable on foil element. Silicone insulated heating cable on an aluminium sheet.
Colour/ Finish	White
IP Rating	IPX4

Dimensions



Model/Item No. (EAN-Code 5011139+Item No.)	054326	QRAD050	049230	QRAD075	049247	QRAD100	049254	QRAD150	049261	QRAD200
Output (kW)	0.50	0.75	1.00	1.50	2.00					
Height 'D' (mm)	546	546	546	546	546					
Width 'A' (mm)	513	513	675	756	918					
Depth 'E' (mm)	105	105	105	105	105					
Weight (Kg)	7.1	7.1	8.7	9.4	11.0					

Packaging Details

Height (mm)	635	635	635	635	635
Width (mm)	589	589	751	832	994
Depth (mm)	183	183	183	183	183
Packed Weight (Kg)	8.2	8.2	9.9	10.7	12.5
Ti	10	10	7	7	6
Hi	3	3	2	2	2
Pallet Quantity (2.4m high)	30	30	14	14	12

Warranty & Approvals

Approvals	CE, BEAB
Warranty	2 Years
Country of Origin	United Kingdom
Manufacturer	Glen Dimplex Heating & Ventilation (GDC Group Ltd)