

Contact Details

Please note that some of the contact details on this PDF document may not be current.

Please use the following details if you need to contact us:

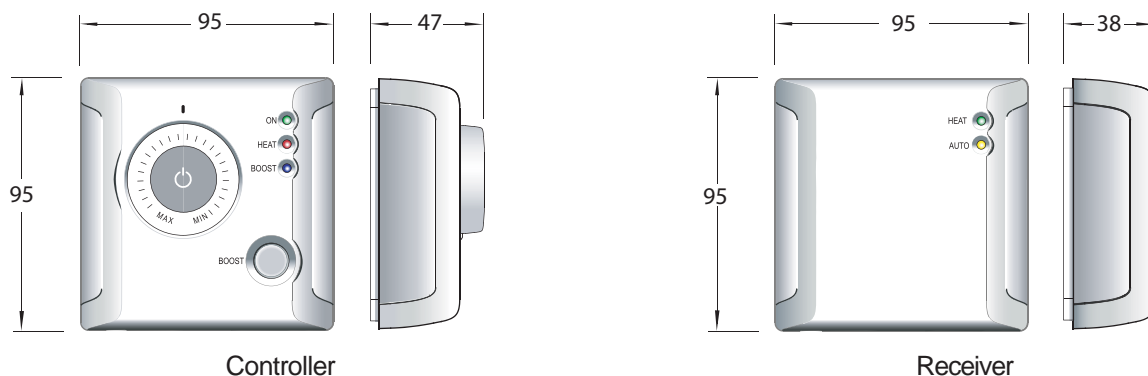
Telephone: 0844 879 3588

Email: customer.services@gdcgroup.co.uk

The customer support section of our website also features a wide range of information which may be of use to you and is available 24 hours a day. It includes:

- Operating and installation instructions
- Easy 'How to use' guides for storage heaters
- Service and repairs
- Where to buy our products
- Literature downloads
- Heating requirement calculator

Visit - www.dimplex.co.uk/support


Fig. 1

IMPORTANT : THESE INSTRUCTIONS SHOULD BE READ CAREFULLY AND RETAINED FOR FUTURE REFERENCE

Important Safety Advice

When using electrical appliances, basic precautions should always be followed to reduce the risk of fire, electrical shock, and injury to persons, including the following:

This product is splash proof to IP24 standard and may be used in bathrooms in Zones 2 & 3 only, however not in the immediate vicinity of baths, showers, water connections, wash basins or swimming pools.

This unit must only be used on an A.C Mains supply of 230/240V with products up to a maximum of 2kW.

Ensure that supply cables to the product are of adequate current carrying capacity.

This product is used to control separate heating appliances. Please note the safety guidelines of the controlled product must be adhered to at all times.

General

The RF Controller Unit is an electronic device which provides wireless room temperature control for use with heating appliances. The Unit can be used to control multiple heating appliances. Note: Each appliance requires a Receiver Unit.

The Unit can be used in conjunction with heating appliances with a maximum heating capacity of 2kW. The Controller Unit cannot be used with a Quartz Halogen heater without a suitable in-line contactor.

The RF Controller Unit consists of a Controller and a Receiver. Both the Controller and Receiver are wall mounted. The Controller provides wireless room temperature control. Control of the product is achieved via an RF signal from the Controller to Receiver which is wired direct to the heating appliance. This eases installation. To quickly heat a cold room the Controller incorporates a 'Boost' function which overrides the thermostatic control for a set period of time.

Installation

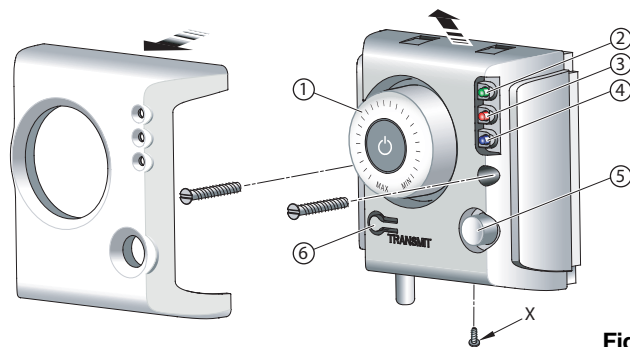
Before undertaking installation work, ensure the electricity supply is disconnected from any relevant fixed wiring.

- All wiring should be carried out by a qualified electrician in accordance with the current IEE wiring regulations.
- Both the Controller and Receiver units are designed to be fitted to a standard single BS backing box with a depth of at least 25mm. The backing box (not supplied) should already be recessed into the wall. Alternatively a surface mounted wall box may be used.
- Ensure the top and bottom lugs (if fitted) of metal backing boxes are removed prior to installation.
- The location of the Controller is important. The Controller is fitted with a room temperature sensing device and therefore will not function correctly if positioned too close to a heat source or draught area. Please ensure the Controller is not located above or within 500mm of a heat source or draught.

Controller

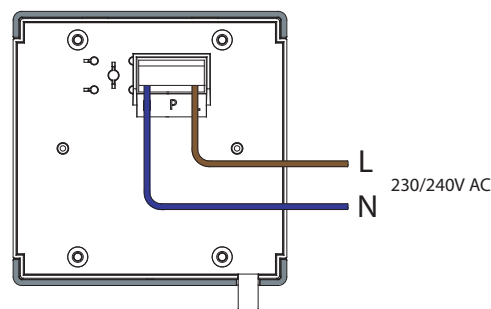
- Remove screw 'x' from the underside of the Controller unit - see **Fig. 2**.
- The front facia is held in place by clips at the top. It must be removed by lifting the top of the facia upwards and then outwards - see **Fig. 2**.
- Connect the fixed wiring of the premises from the back box to the clearly marked terminals on the Controller - see **Fig. 3**.
- Set the thermostat knob to 'MIN' position (fully counter clockwise) to allow access to the screw hole.
- Secure the Controller to the backing box using the screws provided (located on rear moulding) - see **Fig. 2**.

Note: The Controller front facia should not be refitted until the unit has been programmed - see 'Unit Set-Up'.


Fig. 2

Controller - see Fig. 2

- Standby button/thermostat control knob
- 'ON' Indicator
- 'HEAT' Indicator
- 'BOOST' Indicator
- 'BOOST' button
- 'TRANSMIT' button


Fig. 3
Controller Wiring - see Fig. 3

Receiver

- If the heating appliance to be used in conjunction with the Controller is fitted with a plug, please remove the plug and strip the wires to the appropriate length.
- Remove the front fascia of the Receiver - see steps 'a' and 'b' in 'Controller'. The cable clamp on the rear of the Receiver should then be removed.
- The cable of the heating appliance is fed through an opening on the underside of the Receiver unit - see **Fig. 5**.
- The cable from the heating appliance is then wired to the terminal block labelled (out). Please ensure the wires are connected in accordance with the marked terminals - see **Fig. 5**.
- The cable from the heating appliance is then clamped to the rear of the Receiver unit using the cable clamp previously removed.
- Connect the fixed wiring of the premises from the backing box to the clearly marked terminals on the Receiver unit (see **Fig. 5**). Please ensure that the unit is earthed to the backing box.
- Secure the Receiver to the back box using the screws provided (located on rear moulding) - see **Fig. 4**.

Note: The Receiver front fascia should not be refitted until the unit has been set up (see 'Unit Set-Up').

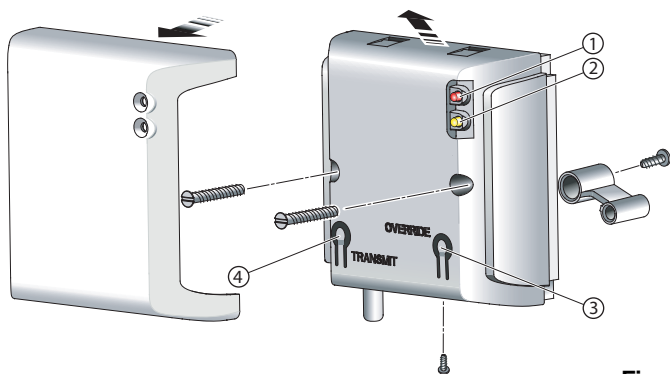


Fig. 4

Receiver - see Fig. 4

- 'HEAT' Indicator
- 'AUTO' Indicator
- 'OVERRIDE' button
- 'TRANSMIT' button

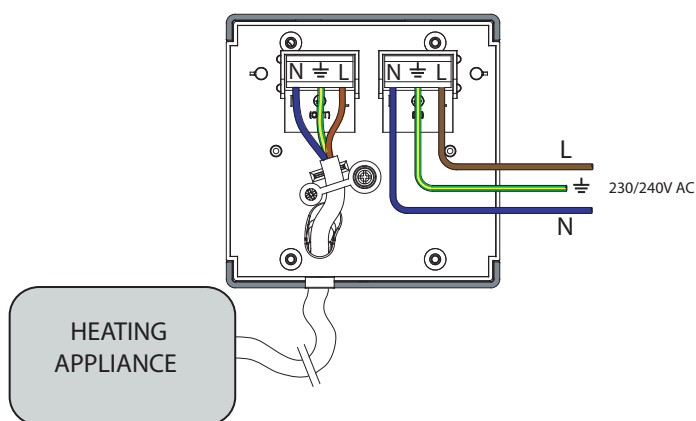


Fig. 5

Receiver Wiring - see Fig. 5

Unit Set-Up

The Receiver must be synchronised to suit your individual Controller. Each Controller can be used to control multiple heating appliances.

- Remove the front facias from both the Controller and Receiver units (see 'Installation').
- Ensure both the Controller and Receiver(s) are powered up. To activate the Controller press the standby button see '1' in **Fig. 2**. When activated, the 'ON' (Green) light will illuminate.
- Press the 'TRANSMIT' button on the Receiver. The Receiver goes into synchronise mode. This is indicated by both the 'AUTO' (yellow) and the 'HEAT' (Red) lights flashing. If more than one Receiver is to be controlled by a single Controller all Receivers must similarly be put into synchronise mode. Each Receiver will remain in synchronise mode for approximately one minute.
- With the Receiver(s) in the synchronise mode the 'TRANSMIT' button on the Controller is then pressed. This puts the Controller in synchronise mode, this is indicated by the Controller 'HEAT' (red) and 'BOOST' (blue) lights flashing. The Controller will remain in synchronise mode for approximately ten seconds.
- The Receiver will automatically go into auto mode once a signal has been received from the Controller. The Controller is ready once the 'AUTO' (yellow) light is lit on the Receiver.
- The front facias should then be replaced on both the Controller and Receiver, ensuring the bottom screw is replaced.

Operating Instructions

The Unit controls the room temperature by interrupting the power supply to the appliance, therefore ensure that the appliance is always switched on and its thermostat (if any) is always set to its maximum position. If the Controller is in standby mode all three lights will be off.

- Power up the Controller by pressing the standby button (control knob). The 'ON' (green) light on the Controller and the 'AUTO' (yellow) light on the Receiver should illuminate. The 'AUTO' light on the Receiver indicates that the controller is functioning automatically.
- Adjust the temperature control knob between the 'MAX' and 'MIN' positions to the desired temperature.
- If the room temperature is below the set desired temperature the controller will switch the appliance 'ON'. When the appliance is 'ON' the 'HEAT' (red) light on the Controller and Receiver units will be illuminated.
- The Boost function will override the Controller and run the appliance constantly for 30minutes. The Boost mode can be activated by pressing the 'BOOST' button. The Controller in Boost mode will be indicated by all three lights on the Controller being illuminated. Boost mode can be de-activated by pressing the 'BOOST' button again.

Note: If the 'AUTO' (yellow) light on the Receiver is flashing the control unit is in fail mode (a link failure has occurred between the Controller and Receiver). If this occurs the appliance can be operated in a manual mode. To activate manual mode the front cover of the Receiver must be removed (see 'Installation'). The 'OVERRIDE' button will put the Controller in manual mode and the appliance will be switched 'ON', this is indicated by the 'HEAT' (Red) light On and the 'AUTO' (yellow) light Off on the Controller.

If a link failure has occurred, the Controller and Receiver must be paired again (see 'Unit Set-Up'). If this is not successful please contact your service agent.

Cleaning

WARNING: ALWAYS PLACE THE CONTROLLER IN STAND BY MODE BEFORE CLEANING.

Do not use detergents, abrasive cleaning powders or polish of any kind on the controller.

Wipe with a dry cloth to remove dust and a damp cloth (not wet) to clean off stains. Be careful not to allow moisture into the heater.

Recycling



For electrical products sold within the European Community. At the end of the electrical products useful life it should not be disposed of with household waste. Please recycle where facilities exist. Check with your Local Authority or retailer for recycling advice in your country.

After sales service

Should you require after sales service or should you need to purchase any spares, please contact the retailer from whom the appliance was purchased. Please do not return a faulty product to us in the first instance as this may result in loss or damage and delay in providing you with a satisfactory service. Please retain your receipt as proof of purchase.