



Comfort. By design

21/02/2011

CI/SFB [56]

www.dimplex.co.uk

eBrochure

**the information contained within this pdf document has
been downloaded from the official Dimplex website**

The information is correct at time of downloading, but Dimplex reserves the right to
change specification without notice.

WATER HEATING - UNVENTED

SCxn Domestic Cylinders



Features

- 60mm CFC free insulation reduces heat loss.
- Mains pressure hot water.
- Fast filling baths.
- Powerful invigorating showers.
- Simultaneous supply of water to all bathrooms.
- No cold water storage tank required, freeing up valuable living space.
- Long life low maintenance hot water supply.
- Backed by a big name in domestic heating.

Installer Features

- Duplex steel inner cylinder with 25 years guarantee.
- Internal expansion for quick easy installation.
- Tough plastic leather grain external coating resists scratching.
- No anode - reduces service requirements.
- CFC free foam injected insulation.
- 3kW incoloy 825 immersion(s) for longer life.
- Light-weight for easy handling to site.
- Water inlet diffuser prevents cold and hot water mixing.

Optional Extras

- Only to be fitted by an authorised contractor.
- 5 year warranty.

WATER HEATING - UNVENTED

SCxn Domestic Cylinders

Technical Specification

Immersion

3kW $\text{\textcircled{R}}$ 240V 50Hz (permanent connection to supply through a double pole linked isolated switch with minimum breaking capacity of 13A).

Outer Casing

Dove Grey leather grain plastic coated steel.

Insulation

CFC free 60mm, ODP zero, fire retardant.

Water Supply

1.5bar 15 litres per minute minimum, 15bar maximum.

Inner Cylinder

Duplex stainless steel.

Pressure Tests

All tested to 15bar.

Primary Coil

22mm stainless steel pipe.

Hot Water Outlet

22mm stainless steel pipe.

Thermostat

Direct units

- Integral immersion thermostat and cut-out.

Indirect units

- Surface mounted dual thermostat and cut-out.

T&P

Factory fitted 7bar 90° C.

Safety Kit

Pressure reducing valve, expansion relief valve; tundish; motorised valve (indirect only) supplied.

Expansion

Internal air gap

- no additional expansion vessel required.

Approvals

WRAS; BBA.

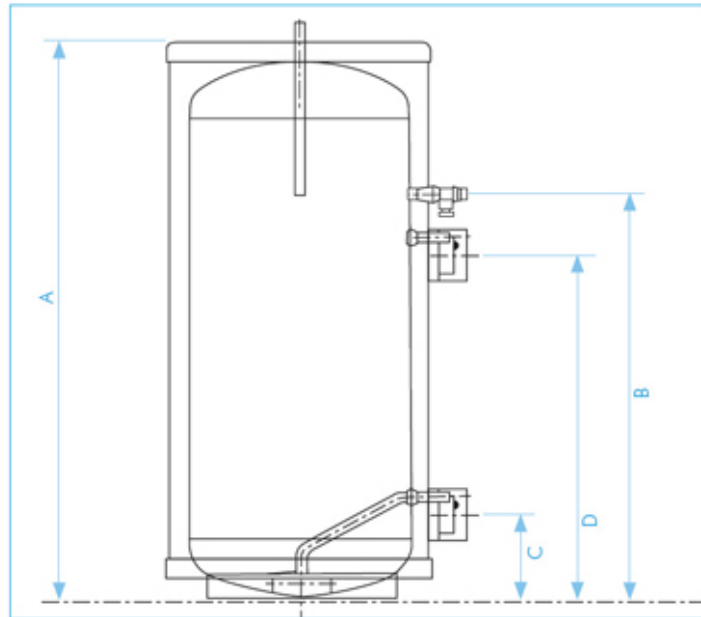
Guarantee

25 years for inner cylinder; 2 years on immersion (excluding affects of limescale) and 2 years on other components.

GWP

(Global Warming Potential) 1.

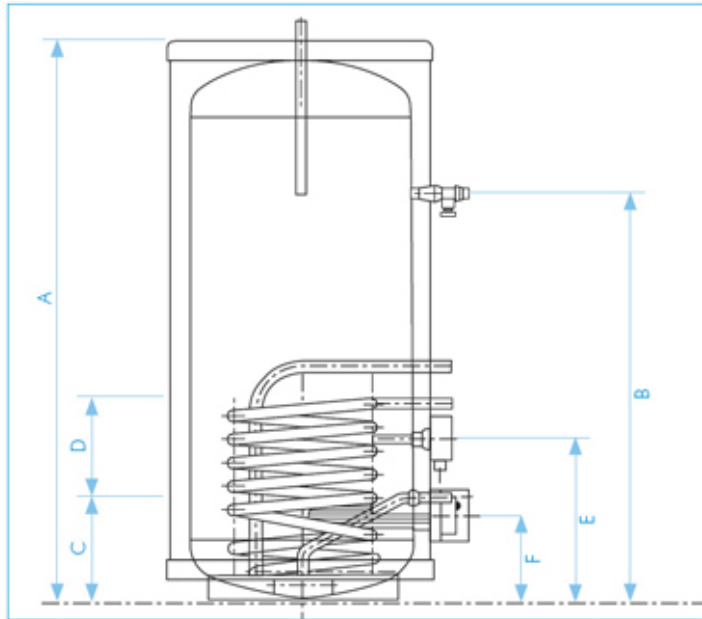
Direct Cylinders



Product	Standard Direct Range			
	Height (mm) (A)	T & P Valve (mm) (B)	Immersion 1 (mm) (C)	Immersion 2 (mm) (D)
SCxn80d	645	356	198	-
SCxn130d	958	626	196	569.5
SCxn150d	1086	745	196	647.5
SCxn175d	1243	890.5	196	753
SCxn215d	1485	1116	196	821
SCxn255d	1753	1364.5	196	1268.5
SCxn305d	2029	1619.5	196	1525.5

	Indirect	Direct
	SCxn80i / 130i	SCxn80d / 130d
	SCxn130i	SCxn130d
	SCxn130i / 150i	SCxn 130d / 150d
	SCxn150i / 175i	SCxn175d / 215d
	SCxn175i / 215i	SCxn215d / 255d

Indirect Cylinders



Product	Standard Indirect Range					
	Height (mm) (A)	T & P Valve (mm) (B)	Coil 1 (mm) (C)	Coil CTRS (mm) (D)	TW Instat (mm) (E)	Immersion (mm) (F)
SCxn80i	645	-	-	-	-	-
SCxn130i	958	626	-	-	339	196
SCxn150i	1086	745	-	-	339	196
SCxn175i	1243	890.5	182.5	262.5	1485.5	197
SCxn215i	1485	1116	182.5	262.5	379.5	197
SCxn255i	1753	1364.5	182.5	262.5	379.5	197
SCxn305i	2029	1619.5	182.5	262.5	368.5	197

SCxn 215i / 255i	SCxn255d / 305d
SCxn255i / 305i	SCxn305d
SCxn305i	2 x SCxn255d / 305d

Capacity (litres)	Cylinder Diameter (mm)	Overall height (mm) (A)	Immersion	Heat-Up (mins)	Reheat Time (mins)	Heat Loss in 24hrs (kW/24hr)	Weight Empty (kg)	Weight Full (kg)	Coil Size (kW)
80	574	645	1	64	53	0.98	27	142	n/a
130	574	958	2	115	90	1.10	30	185	n/a
150	574	1086	2	138	104	1.27	32	204	n/a
175	574	1243	2	167	124	1.43	37	237	n/a

215	574	1485	2	212	153	1.76	43	258	n/a
255	574	1753	2	263	184	1.86	50	305	n/a
305	574	2029	2	313	220	2.02	59	364	n/a
80	574	645	1	33	23	0.98	29	143	8.4
130	574	958	1	28	21	1.10	32	187	14.8
150	574	1086	1	33	24	1.27	35	210	14.8
175	574	1243	1	27	24	1.43	40	240	20
215	574	1485	1	35	30	1.76	48	264	20
255	574	1753	1	42	35	1.86	55	311	20
305	574	2029	1	50	42	2.02	65	370	20

WATER HEATING - UNVENTED

SCxn Domestic Cylinders



Features

- 60mm CFC free insulation reduces heat loss.
- Mains pressure hot water.
- Fast filling baths.
- Powerful invigorating showers.
- Simultaneous supply of water to all bathrooms.
- No cold water storage tank required, freeing up valuable living space.
- Long life low maintenance hot water supply.
- Backed by a big name in domestic heating.

Installer Features

- Duplex steel inner cylinder with 25 years guarantee.
- Internal expansion for quick easy installation.
- Tough plastic leather grain external coating resists scratching.
- No anode - reduces service requirements.
- CFC free foam injected insulation.
- 3kW incoloy 825 immersion(s) for longer life.
- Light-weight for easy handling to site.
- Water inlet diffuser prevents cold and hot water mixing.

Optional Extras

- Only to be fitted by an authorised contractor.
- 5 year warranty.

WATER HEATING - UNVENTED

SCxn Domestic Cylinders

Technical Specification

Immersion

3kW $\text{\textcircled{R}}$ 240V 50Hz (permanent connection to supply through a double pole linked isolated switch with minimum breaking capacity of 13A).

Outer Casing

Dove Grey leather grain plastic coated steel.

Insulation

CFC free 60mm, ODP zero, fire retardant.

Water Supply

1.5bar 15 litres per minute minimum, 15bar maximum.

Inner Cylinder

Duplex stainless steel.

Pressure Tests

All tested to 15bar.

Primary Coil

22mm stainless steel pipe.

Hot Water Outlet

22mm stainless steel pipe.

Thermostat

Direct units
 - Integral immersion thermostat and cut-out.
 Indirect units
 - Surface mounted dual thermostat and cut-out.

T&P

Factory fitted 7bar 90° C.

Safety Kit

Pressure reducing valve, expansion relief valve; tundish; motorised valve (indirect only) supplied.

Expansion

Internal air gap
 - no additional expansion vessel required.

Approvals

WRAS; BBA.

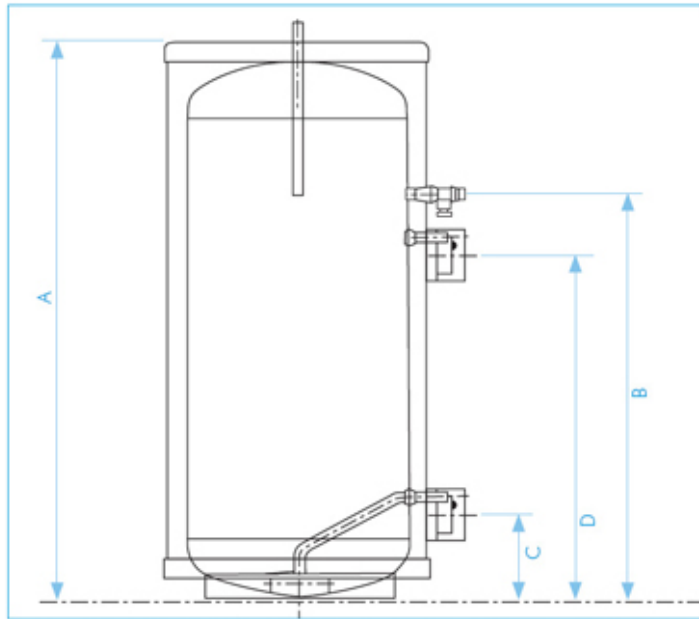
Guarantee

25 years for inner cylinder; 2 years on immersion (excluding affects of limescale) and 2 years on other components.

GWP

(Global Warming Potential) 1.

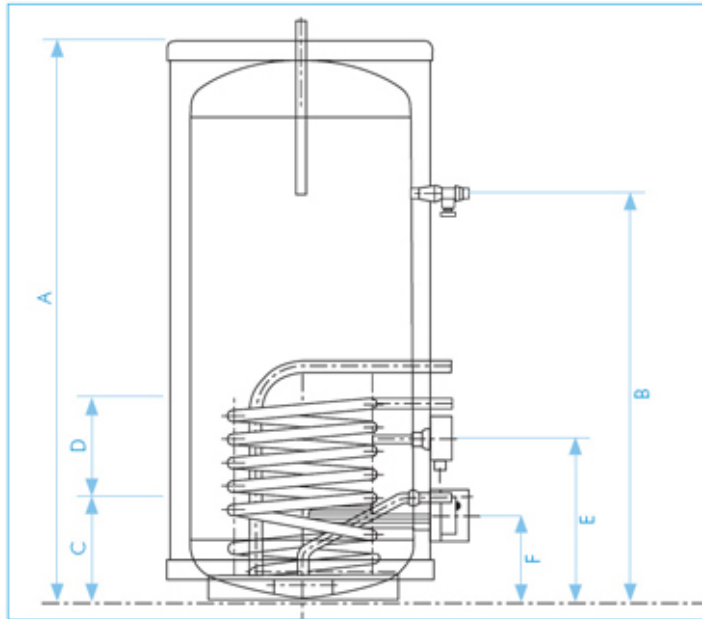
Direct Cylinders



Product	Standard Direct Range			
	Height (mm) (A)	T & P Valve (mm) (B)	Immersion 1 (mm) (C)	Immersion 2 (mm) (D)
SCxn80d	645	356	198	-
SCxn130d	958	626	196	569.5
SCxn150d	1086	745	196	647.5
SCxn175d	1243	890.5	196	753
SCxn215d	1485	1116	196	821
SCxn255d	1753	1364.5	196	1268.5
SCxn305d	2029	1619.5	196	1525.5

	Indirect	Direct
	SCxn80i / 130i	SCxn80d / 130d
	SCxn130i	SCxn130d
	SCxn130i / 150i	SCxn 130d / 150d
	SCxn150i / 175i	SCxn175d / 215d
	SCxn175i / 215i	SCxn215d / 255d

Indirect Cylinders



Product	Standard Indirect Range					
	Height (mm) (A)	T & P Valve (mm) (B)	Coil 1 (mm) (C)	Coil CTRS (mm) (D)	TW Instat (mm) (E)	Immersion (mm) (F)
SCxn80i	645	-	-	-	-	-
SCxn130i	958	626	-	-	339	196
SCxn150i	1086	745	-	-	339	196
SCxn175i	1243	890.5	182.5	262.5	1485.5	197
SCxn215i	1485	1116	182.5	262.5	379.5	197
SCxn255i	1753	1364.5	182.5	262.5	379.5	197
SCxn305i	2029	1619.5	182.5	262.5	368.5	197

SCxn 215i / 255i	SCxn255d / 305d
SCxn255i / 305i	SCxn305d
SCxn305i	2 x SCxn255d / 305d

Capacity (litres)	Cylinder Diameter (mm)	Overall height (mm) (A)	Immersion	Heat-Up (mins)	Reheat Time (mins)	Heat Loss in 24hrs (kW/24hr)	Weight Empty (kg)	Weight Full (kg)	Coil Size (kW)
80	574	645	1	64	53	0.98	27	142	n/a
130	574	958	2	115	90	1.10	30	185	n/a
150	574	1086	2	138	104	1.27	32	204	n/a
175	574	1243	2	167	124	1.43	37	237	n/a

215	574	1485	2	212	153	1.76	43	258	n/a
255	574	1753	2	263	184	1.86	50	305	n/a
305	574	2029	2	313	220	2.02	59	364	n/a
80	574	645	1	33	23	0.98	29	143	8.4
130	574	958	1	28	21	1.10	32	187	14.8
150	574	1086	1	33	24	1.27	35	210	14.8
175	574	1243	1	27	24	1.43	40	240	20
215	574	1485	1	35	30	1.76	48	264	20
255	574	1753	1	42	35	1.86	55	311	20
305	574	2029	1	50	42	2.02	65	370	20

After Sales Service

After sales service if required is absolutely no problem with Dimplex - we have a network of appointed Service Agents spread throughout the Country who are qualified and trained to repair or service any of our appliances.

Bathrooms

Any electrical appliances installed in a bathroom should be fitted by a competent electrician in accordance with the current I.E.E. Regulations. Portable heaters are NOT suitable for use in a bathroom. Unless otherwise specified, heaters that can be permanently fixed have to be so mounted that any controls cannot be reached by a person using a bath or shower. This restriction does not apply to Dimplex heated towel rails, which do not have controls.

Safety

Dimplex products are designed to comply with EN60335 the British Standard covering the safety requirements of electric heating appliances, and momentary contact with any part of the heater should not cause injury. However, in order to be effective, heaters or towel rails of any type do get hot especially (if applicable) around the air outlet grille. Therefore if aged or infirm persons, or young children, are likely to be left unsupervised in the vicinity of a heater we advise that precautions should be taken. We recommend that a guard is fitted around the heater, as is normal with many types of heating appliances in similar circumstances, to ensure contact with the heater is avoided and objects cannot be inserted into the product. Heating appliances should never be covered or positioned where objects may fall onto them.

Specifications

Dimplex policy is one of continuous improvement; the Company therefore reserves the right to alter specifications without notice. Although every care has been taken in the reproduction of product finishes in this brochure, the colour photographs should be taken only as a guide. This information is correct at the time of printing. You are advised to consult your dealer before purchasing.

Plugs

All portable appliances are supplied with a fitted plug.

British Electrotechnical Approvals Board - BEAB Approved

The mark of the British Electrotechnical Approvals Board signifies that the appliance bearing it has been produced to the stringent safety requirements for domestic electrical appliances as laid down in EN60335.

CE Mark

Products carrying the CE mark comply with European safety standards and the European Standard for electro-magnetic compatibility.

Installation Guidance

This information is designed to assist you with your choice of Dimplex products and it is not intended as an installation guide. For safety, products should only be installed by a competent person, in accordance with current regulations and the manufacturers instruction. If you require further advice concerning the installation of our products - especially where the installed dimensions may be critical to your choice and the location of the product - please consult your supplier.



Comfort. By design

Dimplex, Millbrook House, Grange Drive, Hedge End, Southampton, SO30 2DF
For Northern Ireland please contact - Glen Dimplex N.I. Limited, Unit No. 24, Seagoe Industrial Estate, Portadown,

Craigavon, Co. Armagh, BT63 5TH.

© Dimplex. All rights reserved. Material contained in this publication may not be reproduced in whole or in part, without prior permission in writing from Dimplex.

Please note that the dimensions contained within this publication do not in all cases include clearances required around installed product for safe operation.