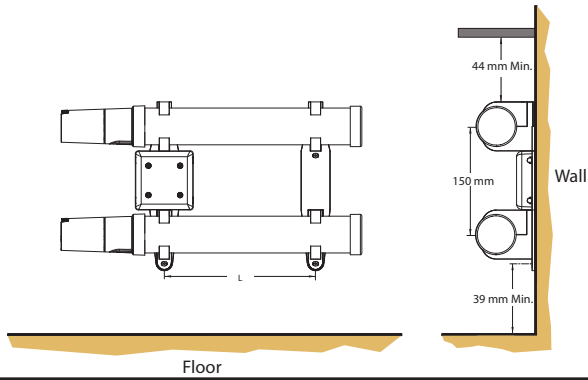


Tubular Heater Linking Kit

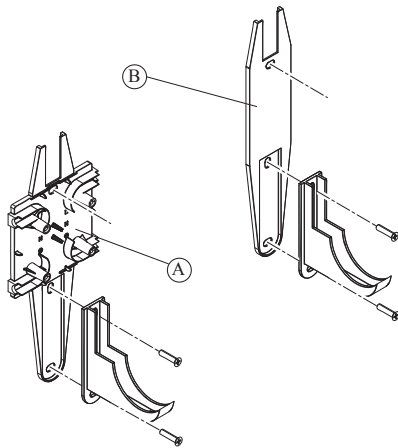
8/52598/0 Issue 0

1

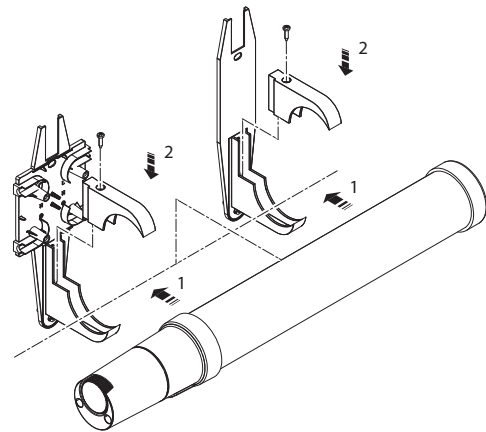
Model	Watt	L
1FT	40	158mm
2FT	80	488mm
3FT	120	780mm
4FT	160	1078mm
5FT	200	1340mm
6FT	240	1605mm



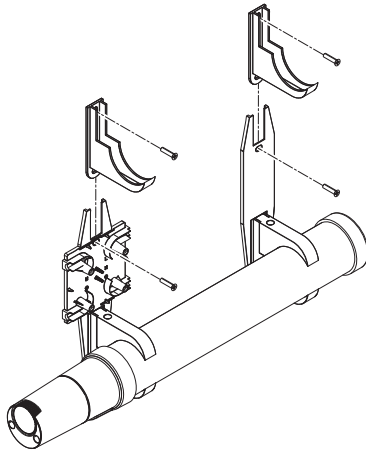
2



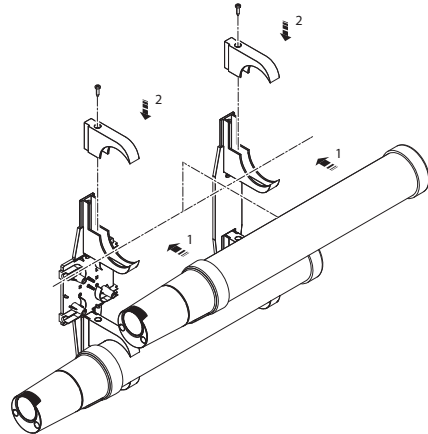
3



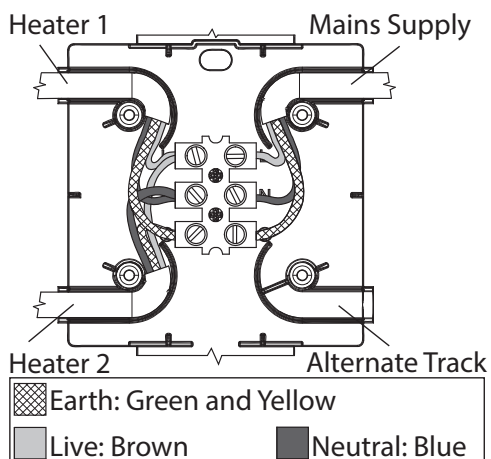
4



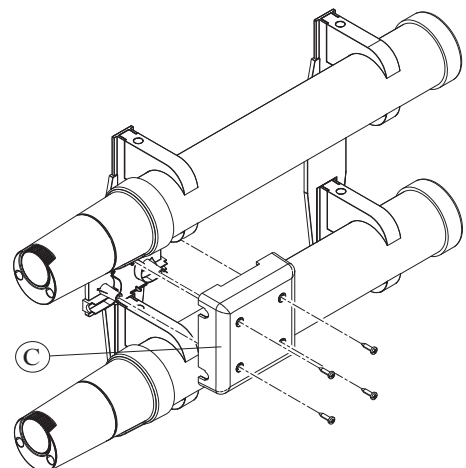
5



6



7



General

IMPORTANT: The tubular heater must only be installed in the horizontal plane.

WARNING: It is essential that the product cannot come into contact with any fabric material.

DO NOT locate the heater immediately below a fixed socket outlet.

IMPORTANT: The wall brackets supplied with the appliances must be used. The linking kit and brackets should be positioned observing the minimum clearances stated in Fig. 1.

Electrical

WARNING: This appliance must be earthed.

If your tubular heaters are supplied with a plug then the plugs must be removed to wire the supply cords into the linking kit. If you cut off the plugs they can constitute a shock hazard if inserted into a socket outlet. They must therefore be disposed of safely. The supply cord provided with the kit can be wired directly into a fixed wiring outlet or a suitable 13 amp plug can be fitted to it for connection to a fixed socket outlet.

Before wiring the appropriate plug please note that the wires in this mains lead are coloured in accordance with the following code:

GREEN/YELLOW :	EARTH
BLUE :	NEUTRAL
BROWN :	LIVE

Connect the Green/Yellow wire to the terminal marked 'E' or the earth symbol '⊕' or coloured Green or Green/Yellow. Connect the Brown wire to the terminal marked 'L' or coloured Red. Connect the Blue wire to the terminal marked 'N' or coloured Black.

DO NOT connect the Brown (Live) or the Blue (Neutral) wires to the Earth terminal of your 13 amp plug. If the terminals of the plug are unmarked or you are in any doubt, consult a qualified electrician.

Product Installation

1. Locate the appliances adjacent to a suitable wall outlet.
2. Remove the Cover ('C' in Fig. 7) from the Linked End Spacer ('A' in Fig. 2) Align the Linked End Spacer 'A' and the Free End Spacer 'B' as indicated in Fig. 2, ensuring that they are level. Space 'A' and 'B' as indicated in the table and diagram of Fig. 1 (Dimension 'L') to suit the model size being linked. Mark the 6 holes for drilling and set the spacers aside.
3. After drilling the holes, insert 6 rawl plugs into the holes. Place the bottom brackets into the spacers, as shown in Fig. 2, and secure them to the mounting surface using 4 screws supplied with your heater.
4. Place the first heater in position on the brackets and fix it by locating the top half of each bracket in the appropriate groove. Slide them down into position on the bottom half of the brackets and tighten the fixing screws, as indicated in Fig. 3.

5. Locate the bottom half of the wall mounting brackets, from your second heater, in the appropriate groove of the spacers, as shown in Fig. 4. Mark the top 2 holes for drilling then set aside the brackets.
6. Drill the 2 holes and insert rawl plugs into the two holes. Replace the brackets and secure them to the mounting surface using the screws supplied with your second heater.
7. Place the second heater in position on the brackets and fix it by locating the top half of each bracket in the appropriate groove. Slide it down into position on the bottom half of the bracket and tighten the fixing screws, see Fig. 5.
8. Ensure that the supply cords from both heaters exit downwards. With both heaters fixed to the wall, route their supply cords, strip them back and wire the heater up as shown in Fig. 6. Ensure that the live wires from the two heaters are stripped and twisted together before inserting them into the live terminal block connection and tightening the terminal screw. Repeat this for the two neutral wires and the two earth wires. **DO NOT** connect the Brown (Live) or the Blue (Neutral) to the Earth (Green/Yellow). If you are in any doubt consult a qualified electrician.
9. Fit the Cover ('C' Fig. 7) to the Linked End Spacer as shown in Fig. 7 using the screws supplied and fully tighten.
10. Connect the free end of the linking kit supply cord either directly to a fixed wiring outlet or to a suitable 13 amp plug with a 3 amp fuse fitted.

Cable Replacement

IMPORTANT: In the event of supply cable replacement only an approved PVC cable capable of withstanding a continuous minimum operating temperature of 85 degrees should be used. Rubber insulated and sheathed cable should not be used.

If the supply cord is damaged it must be replaced by the manufacturer or service agent or a similarly qualified person in order to avoid a hazard.