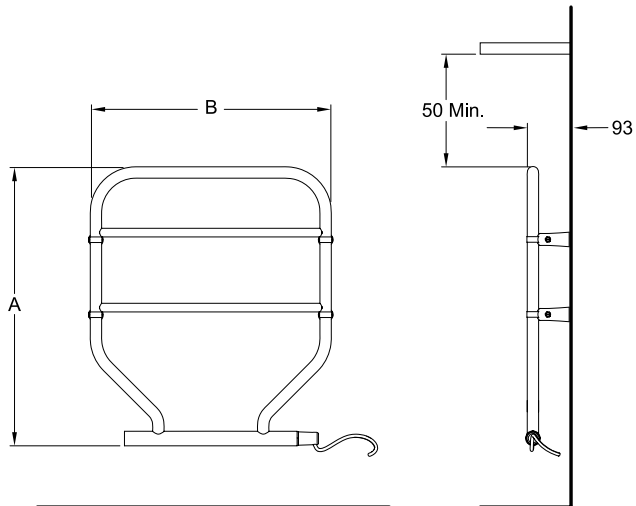
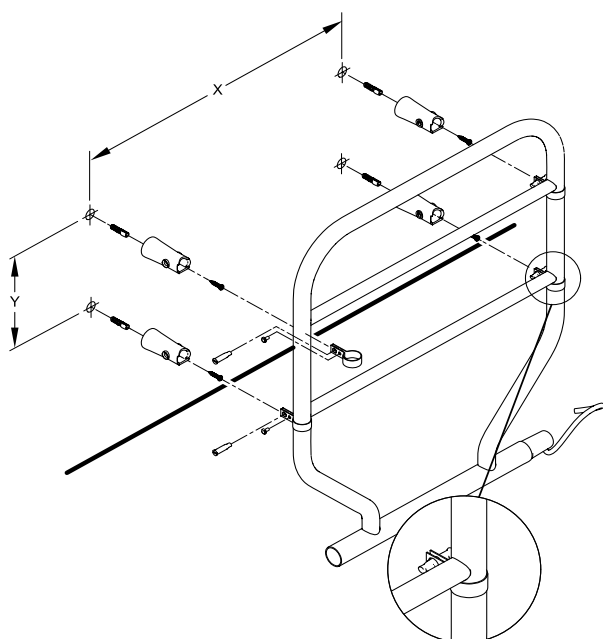


1

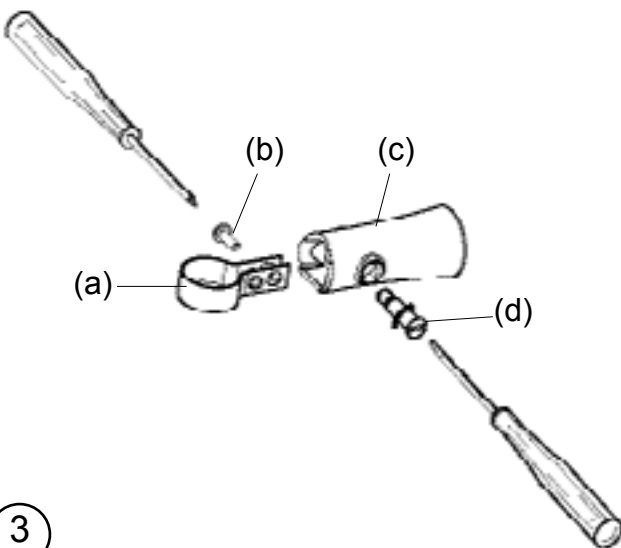


Watts	(mm)		
	A	B	
TTRC90	60	615	530
TTRS120	100	615	530
TTRC130	80	850	530
TTRS175	120	850	530
TTRC150	100	850	785

2



	X	Y
TTRC90	505	165
TTRS120	505	165
TTRC130	505	230
TTRS175	505	230
TTRC150	760	230



3

## Oil filled Electric Towel Rails - Model(s): TTRC90, TTRS120, TTRC130, TTRC150 & TTRS175

IMPORTANT: THESE INSTRUCTIONS SHOULD BE READ CAREFULLY AND RETAINED FOR FUTURE REFERENCE

### Important Safety Advice

**WARNING - THE SURFACE OF THIS RADIATOR CAN BE HOT.**

In order to be effective the towel rail will get hot, however momentary contact with any part of it should not cause injury. **DO NOT USE THIS APPLIANCE UNTIL THE WALL BRACKETS ARE FITTED CORRECTLY.**

**FOLLOW** these instruction carefully.

**CAUTION** - This appliance is not intended for use by children or other persons without assistance or supervision if their physical, sensory or mental capabilities prevent them from using it safely. Children should be supervised to ensure that they do not play with the appliance.

Precautions should be taken to ensure that prolonged contact with the towel rail cannot occur. Particular care should be taken in confined areas where accidental prolonged contact with the rail could be more likely to occur.

This appliance should only be used to dry fabrics washed in water using commonly available detergents.

**IMPORTANT** - If the towel rail is to be installed in a place used by the public, a warning notice should be placed adjacent to the rail advising that the surface can be hot.

**WARNING** - This heater must not be located immediately above or below a fixed socket outlet or connection box.

If the mains lead is damaged, it must be replaced by the manufacture or its service agents or a similiary qualified person in order to avoid a hazard.

**WARNING** - In order to avoid a hazard for very young children, this appliance should be installed so that the lowest heated rail is at least 600mm above the floor.

### General

Your Dimplex electric towel rail has been designed to provide a year-round service for airing towels and articles of clothing. It is not intended to provide a sole heating service, but the larger models will take the chill off a normal size bathroom or toilet.

Your rail will be in one of three sizes and will have either a chrome plated or stove-enamel finish. The rail wattage has been carefully selected to ensure a suitable surface temperature is maintained during normal operation conditions. The towel rail has a sealed electrical element controlled by a pre-set thermostat which will switch off the rail should it overheat for any reason.

All models are water proof to IPX5.

### Use

Your Dimplex towel rail can quite safely be left on continuously if desired without detrimental effect. When in use however no more than two layers of towelling or similar fabric should be draped over each rail. It is not advisable to leave very damp clothes or towels on the rail when it is not in use, as this may affect the finish.

The rail when in use, though hot to the touch, is not hot enough to scorch or burn towels or clothes. However, soap and detergents remaining in articles after washing can cause what appear to be scorch marks after being in contact with a hot rail. Care should be taken therefore to thoroughly rinse out all articles before airing.

### Electrical

**WARNING – THIS APPLIANCE MUST BE EARTHED**

In accordance with wiring regulations a suitable means for disconnection must be incorporated in the fixed wiring.

This heater must be used on an AC ~ supply only and the voltage marked on the heater must correspond to the supply voltage.

Do not switch the appliance on until properly installed. Please read all the safety warnings and operating instructions.

If fitted in a room containing a bath or shower, to comply with the current I.E.E. Regulations, a cable outlet will be necessary with the supply to the heater controlled by a double-pole pull-cord switch having a contact separation of 3mm in each pole. The body of the switch should be situated as to be normally inaccessible to a person using a bath or shower.

### Installation

**The towel rail must be permanently fitted to the wall.**

The towel rail must be mounted so that the top rail is horizontal and at least 50mm below any overhanging surface - see Fig. 1.

### Wall mounting

The Wall mounting accessory pack (see Fig. 3) contains:

- (a) 4 mounting straps
- (b) 4 screws (M4 x 10)
- (c) 4 wall mounting brackets
- (d) 4 locator pins

### Procedure for fixing wall brackets

#### Step 1

Using Dim. X and Dim. Y as a guide for the wall bracket fixing dimensions - see Fig. 2, mark the hole positions for the four fixing brackets and drill and plug the wall to suit.

Note: Allow enough room above and below for the clearance stated. Screw the four fixing brackets securely to the wall - see Fig. 2.

#### Step 2

Place carefully around the upright bars the four mounting straps at the position shown - see Fig. 2. (Note the straps must be positioned up tight to the cross bar as indicated). Securely fix them by screwing in place fully the M4 x 10mm screw. Ensure the brackets are fitted with the rear of the straps facing directly backwards.

#### Step 3

Place the towel rail straps into the wall mounted brackets, secure them with the locator pins by inserting and giving a quarter turn - see Fig. 3. Check the four brackets and towel rail are fitting horizontally. If not go back to step 2. The straps can be repositioned to ensure that the towel rail is horizontal when fitted to your wall. If the towel rail cross rails are not level, loosen both straps on either left or right hand upright bar. Lower the two straps and raise up the towel rail until it is horizontal, then secure as indicated in step 2 and 3.

### Cleaning

The finish on your towel rail can be maintained by occasionally wiping over with a damp cloth and lightly finishing with a soft dry cloth. This should only be carried out when the rail is cold. **Do not** use abrasive cleaning powders as this could damage the surface finish.

### Recycling



For electrical products sold within the European Community.

At the end of the electrical products useful life it should not be disposed of with household waste. Please recycle where facilities exist. Check with your Local Authority or retailer for recycling advice in your country.

### After Sales Service

**If this product appears damaged when first received or does not function correctly contact us by e-mail [aftersales@dimplex.co.uk](mailto:aftersales@dimplex.co.uk) or ring 0844 879 35 87 and we will be able to help.** For ROI please phone 01 842 4833.

**Do Not Return** the product in the first instance as this may delay us providing you with a satisfactory service.

**ACCIDENTAL DAMAGE IS NOT COVERED UNDER THE WARRANTY.**

Your product is guaranteed for two years from the date of purchase. Within this period, we undertake to repair this product free of charge provided it has been installed and operated in accordance with these instructions.

Should you require assistance with this product please go to [www.dimplex.co.uk](http://www.dimplex.co.uk) and click on "Customer Support" or e-mail us at [aftersales@dimplex.co.uk](mailto:aftersales@dimplex.co.uk)

Alternatively ring our contact centre on 0844 879 35 87 (UK only). This is a Lo-call no from a BT landline - other providers including mobile phones may charge you more. For ROI please phone 01 842 4833.

To assist you, we will need the following information: model number & serial no (these can be found on the product), nature of the fault & date of purchase. **Please retain your receipt as proof of purchase.** Your rights under this guarantee are additional to your statutory rights, which in turn are not affected by this guarantee. Spares can be purchased on line, go to [www.dimplex.co.uk/outlet\\_store](http://www.dimplex.co.uk/outlet_store) Please retain your receipt as proof of purchase.

The product complies with the European Safety Standards EN60335-2-46 and the European Standard Electromagnetic Compatibility (EMC) EN55014, EN60555-2 and EN60555-3 These cover the essential requirements of EEC Directives 2006/95/EC and 2004/108/EC

Dimplex  
Millbrook House  
Grange Drive  
Hedge End  
Southampton  
SO30 2DF

TEL: 0844 879 3587  
FAX: 0844 879 3583  
WEBSITE: [www.dimplex.co.uk](http://www.dimplex.co.uk)  
Republic of Ireland

Tel. 01 8424833

[c] GDC Group Ltd,

All rights reserved. Material contained in this publication may not be reproduced in whole or in part, without prior permission in writing of Dimplex.

A division of GDC Group Ltd,