

### Dimplex Wall-mounted Fan Convector

08/18724/1 Issue 1

#### Models : WFC 3NB and WFC 3NS

#### Dimensions

##### Model(s) Specification

WFC 3NB 3kW, Switch, Thermostat & Neon - Black

WFC 3NS 3kW, Switch, Thermostat & Neon - Silver

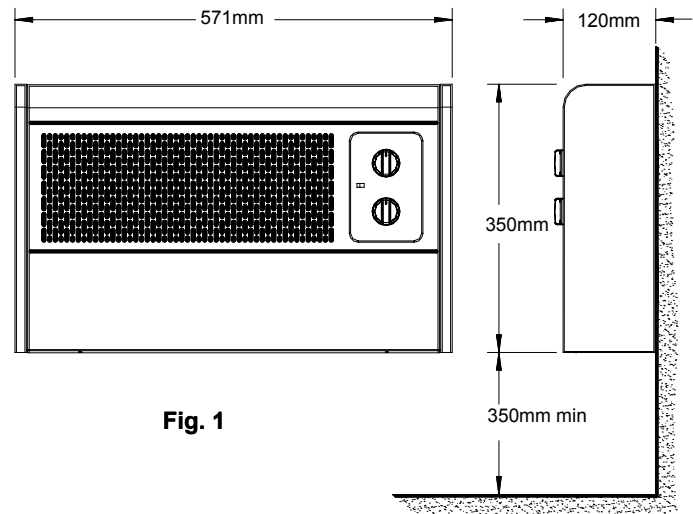


Fig. 1

#### IMPORTANT SAFETY ADVICE

**WARNING – THIS APPLIANCE MUST NOT BE USED IN A BATHROOM.**

**WARNING – DO NOT USE THIS HEATER IN THE IMMEDIATE SURROUNDINGS OF A BATH, A SHOWER OR A SWIMMING POOL.**

**WARNING – THIS HEATER MUST NOT BE LOCATED IMMEDIATELY BELOW A FIXED SOCKET OUTLET.**

**DO NOT USE THE HEATER UNTIL IT IS WALL MOUNTED CORRECTLY.**

The heater carries a warning 'Do Not Cover' to alert the user to the risk of overheating that exists if the heater is accidentally covered.

**NEVER cover or obstruct in any way the air inlet slots at the front of the heater or the heat outlet slots in the base of the heater.**

Keep combustible materials such as drapes and other furnishings clear from the front of the heater. Do not use heater to dry your laundry.

If young children, the aged, or infirm are likely to be left in the vicinity of the heater, we advise that adequate precautions should be taken. We recommend that a guard be fitted to ensure contact with the heater is avoided and objects cannot be inserted into the product.

If you use this heater in conjunction with a thermal control, a programme controller, a timer or any other device which switches on the heater automatically, remember to observe all safety warnings at all times.

Do not use where excessive dust or moisture is present.

For further information, please contact our guard supplier direct on Tel. No. 01603 667957, or in the case of difficulty or for further advice contact the Customer Helpline.

#### Installation

**Before undertaking installation work, ensure the electricity supply is disconnected from any relevant fixed wiring.**

Supply cable is not provided with this appliance, and a competent electrician should therefore install it. The appliance must be fitted horizontally with the cable or conduit entry at bottom right. It should be mounted such that the underside is at least 350mm above the floor and the top of the heater is 150mm below any overhanging shelf or obstruction.

**This heater must be used on an A.C.~ supply only and the voltage marked on the heater must correspond to the supply voltage.**

To comply with the I.E.E. Wiring Regulations, the appliance must be earthed; the supply circuit must be adequate for the input of the appliance, and the circuit protected by a suitable 13A fuse. A suitable termination to the fixed wiring of the premises must be provided adjacent to the final position of the appliance. In this instance, such a termination can be a double-pole switch with a contact separation of at least 3mm in all poles.

**The heater must not be located immediately below a fixed socket-outlet.**

#### Electrical

**WARNING : THIS APPLIANCE MUST BE EARTHED.**

After ensuring the electricity supply is not live, electrical connections can be made, either to an adjacent double-pole switch having a contact separation of at least 3mm in all poles or to a plug-top for use in a standard 13A socket.

If the latter: Connect **Green and Yellow** wire to plug terminal marked **E**

or **Green** or **Green and Yellow**. Connect **Blue** wire to plug terminal marked **N** or **Black**. Connect **Brown** wire to plug terminal marked **L** or **Red**.

Refit cover, first hooking top over the back of the unit and then securing the bottom by refitting the two screws under the bottom edge. The appliance is now ready for use and the electricity supply can be reinstated.

## Fixing dimensions

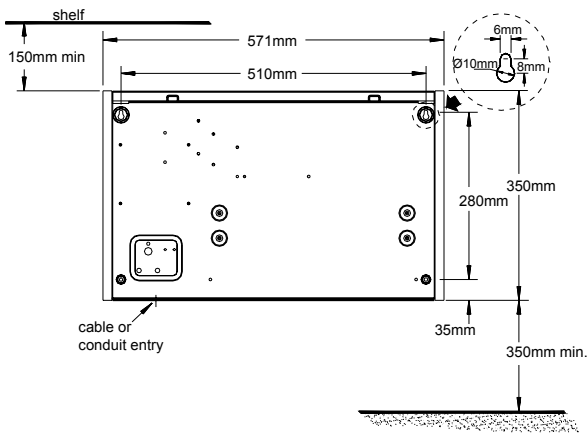


Fig. 2

## Procedure

Release the front cover from the unit by undoing the two screws under the bottom edge.

Carefully remove cover by pulling bottom-front forward, and then lift to release top from retaining slots.

Mark screw fixing positions on wall in accordance with the dimensions shown on the diagram in Fig 2. The unit must be secured to the wall with four screws through the holes provided. The two upper holes are keyhole shaped to enable the two upper screws to be positioned first. The unit can then be hung on these screws while the two lower screws are positioned. Before finally tightening all four screws, ensure the unit is truly horizontal.

Fit a 3 core 1.5 square millimetre flexible cord through the cable entry bush, connect wires to the appropriate terminals and tighten cable clamp. Alternatively the heater may be connected with conduit through the base after removing the knockout containing the cable entry bush (see Fig. 2).

## Wiring Diagram

Component	Wire
A. Cross flow fan	1. White 1mm <sup>2</sup>
B. Cut-out	2. Pink 1mm <sup>2</sup>
C. Selector switch	3. Violet 1mm <sup>2</sup>
D. Neon light	4. Brown 1mm <sup>2</sup>
E. Thermostat	5. Red 1mm <sup>2</sup>
F. Resistor	6,7. Blue 1.5mm <sup>2</sup>
G. Earth Terminal	8,9. Red 1.5mm <sup>2</sup>
H. Terminal Block	10. Grey 0.75mm <sup>2</sup>
J. Cable Clamp	

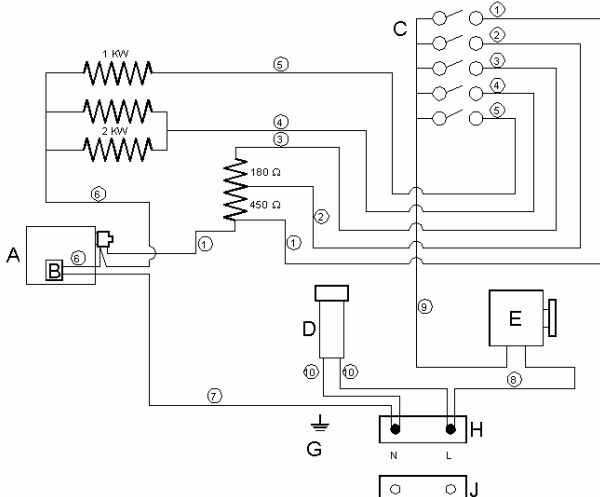


Fig. 3

## Operation

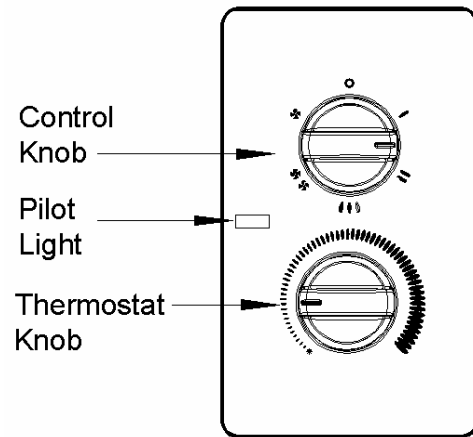


Fig. 4 - Controls & Control Panel Layout

The Dimplex WFC 3NB and WFC 3NS have a total loading of 3Kw. They are fitted with two control knobs and a pilot light. The air inlet is in the front panel, and the outlet on the underside.

The upper knob operates a six-position switch, giving a choice of operating characteristics as follows :

○	—	Off
●	—	1Kw of heat, low fan speed.
●●	—	2Kw of heat, medium fan speed.
●●●	—	3Kw of heat, high fan speed.
✻	—	Fan only, low speed.
✻✻	—	Fan only, high speed.

The lower knob operates a thermostat which enables the temperature of the room to be regulated.

The pilot light indicates when the appliance is connected to the electricity supply.

Additionally, a cut-out is incorporated in the unit which will switch the electricity supply off if for any reason the appliance overheats.

If the cut-out has operated because the air flow has been obstructed in some way, the heater will switch on once the obstruction has been removed. If the cut-out continues to operate intermittently the heater should be switched off and a service agent should be called.

To control the room temperature, set the mark on the thermostat knob to the required temperature on the visually graduated scale (see Fig. 4). The thermostat will monitor continuously the temperature of the air returning to the inlet grille, and the heater element(s) selected will achieve or maintain the chosen temperature level efficiently and economically.

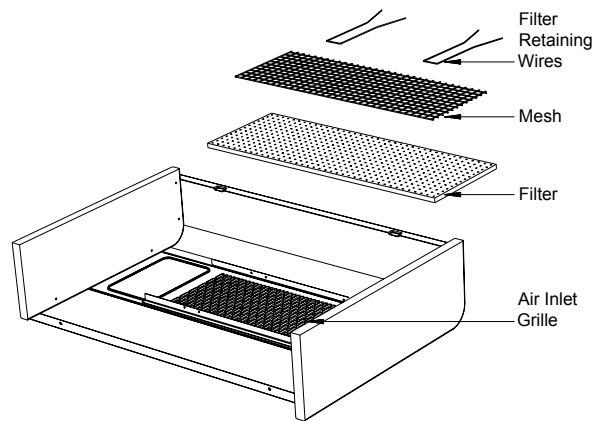
When running Fan only modes, rotate thermostat knob to 'max.' position to ensure continuous cool air

## General Cleaning

### WARNING :

**BEFORE UNDERTAKING ANY MAINTENANCE OR CLEANING WORK ON THE APPLIANCE, IMMEDIATELY DISCONNECT THE ELECTRICITY SUPPLY EITHER BY SWITCHING OFF AT THE ADJACENT DOUBLE POLE SWITCH OR BY REMOVING THE PLUG FROM THE SOCKET.**

The outside of the appliance should be wiped over with a soft damp cloth and then dried. Do not use detergents or abrasives. The filter should be cleaned by gently passing the soft brush attachment of a vacuum cleaner over the front grille.



**Fig. 5**

## Service and Repair

**THE INTERNAL CLEANING AND MAINTENANCE WORK SHOULD ONLY BE UNDERTAKEN BY COMPETENT PERSONS WITH EXPERIENCE OF REPAIRING DOMESTIC ELECTRICAL APPLIANCES AND IN FULL KNOWLEDGE OF THE POSSIBLE HAZARDS INVOLVED.**

To ensure the appliance operates efficiently, the following maintenance should be undertaken periodically. The cover should be removed and refitted as detailed under 'Procedure'.

- **Fan Blades** : These should be cleaned by using the soft brush attachment of a vacuum cleaner. Care should be taken not to damage the blades.
- **Filter** : The filter can be removed completely for cleaning, but generally provided this is cleaned frequently as detailed above, this should not be necessary. Where removal of filter is required for cleaning, the filter retaining wires can be removed, allowing the mesh and the filter to be taken out (see Fig. 5).
- **General** : With the cover removed, opportunity should be taken to remove any accumulations of dust from within the unit.
- **Bearings** : Fan and motor bearings should be given one or two (not more) drops of low viscosity oil (e.g. sewing machine oil) approximately every 12 months.

## After Sales Service

Your Dimplex Wall-mounted Fan Convector is guaranteed for one year from date of purchase. We undertake to repair or exchange free of charge within this period, any part found to be defective due to a manufacturing fault. .

Your rights under this guarantee are additional to your statutory rights, which in turn are not affected by this guarantee.

Should you require after sales service, please get in touch with the retailer through whom you purchased the appliance, or your nearest Dimplex Customer Services.

Please do not initially return a faulty appliance or part of an appliance to us as this may result in transit damage and/or delay in providing service. Let us know your difficulty quoting the model number and series of the appliance. We will then take the appropriate action.

Please retain your receipt as proof of purchase.



The product complies with the European Safety Standards EN60335-2-30 and the European Standard Electromagnetic Compatibility (EMC) EN55014, EN60555-2 and EN60555-3 which cover the essential requirements of EEC Directives 73/23 and 89/336

Glen Dimplex UK Limited  
Millbrook House  
Grange Drive  
Hedge End  
Southampton  
Hampshire. SO30 2DF

UK customer help line (8.00AM – 6.00PM Mon-Fri; 8.30AM-1.00PM Sat)

Customer Services:	Tel.	0870 7270101
	Fax.	0870 7270102
	e-mail	customer.services@glendimplex.com
Republic of Ireland	Tel.	01 8424833