



Westcott 4.3kW Multifuel Inset Stove

For Standard 16" Fireplace Opening

Please hand these instructions to the stove user when installation is complete. Leave the system ready for operation and instruct the user in the correct use of the appliance and operation of controls.

Installation should only be carried out by a suitably qualified installer that is registered with HETAS (UK) or with the Irish Nationwide Fireplace Organisation (INFO).
Installation must comply with Building Regulations.

08/51337/0 - Issue 8
18 Dec 2016

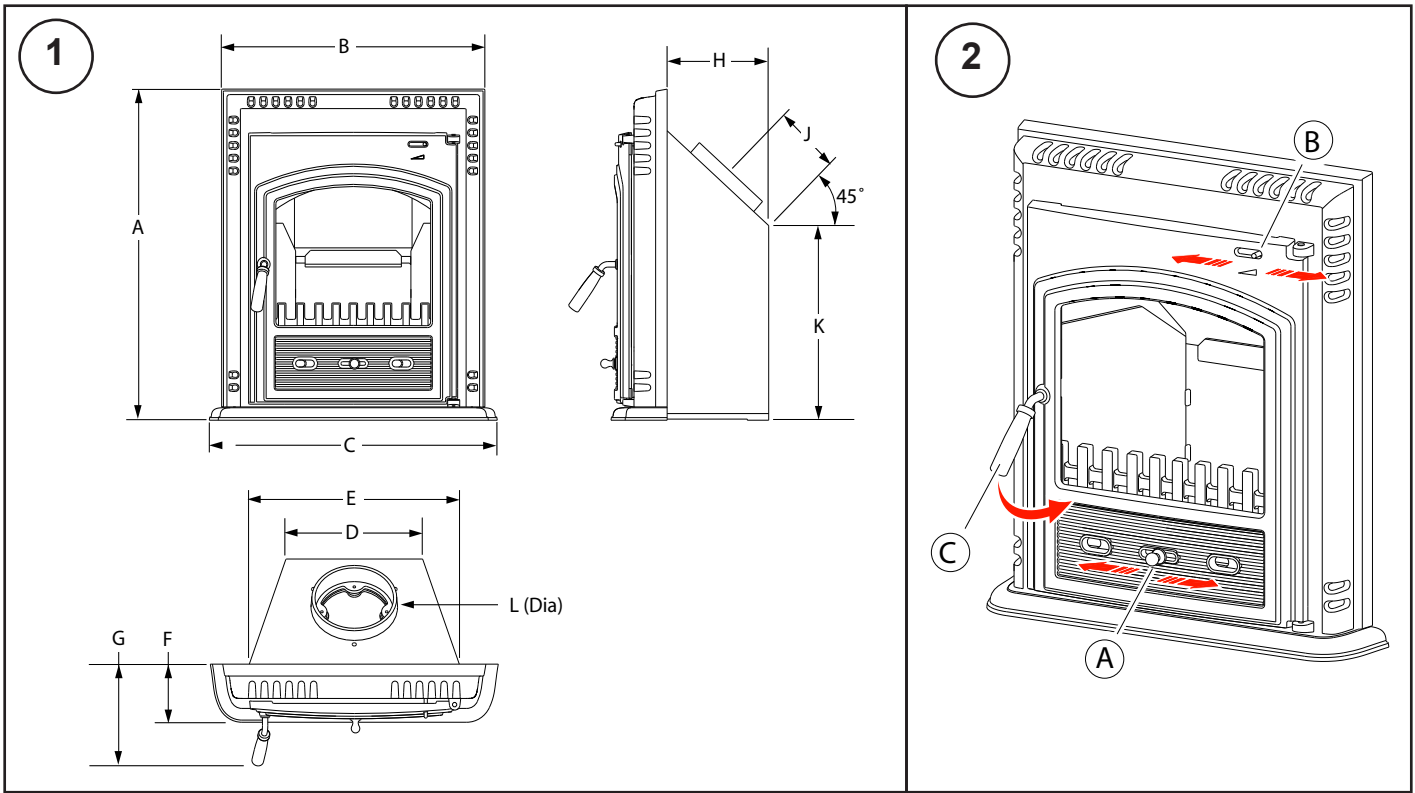
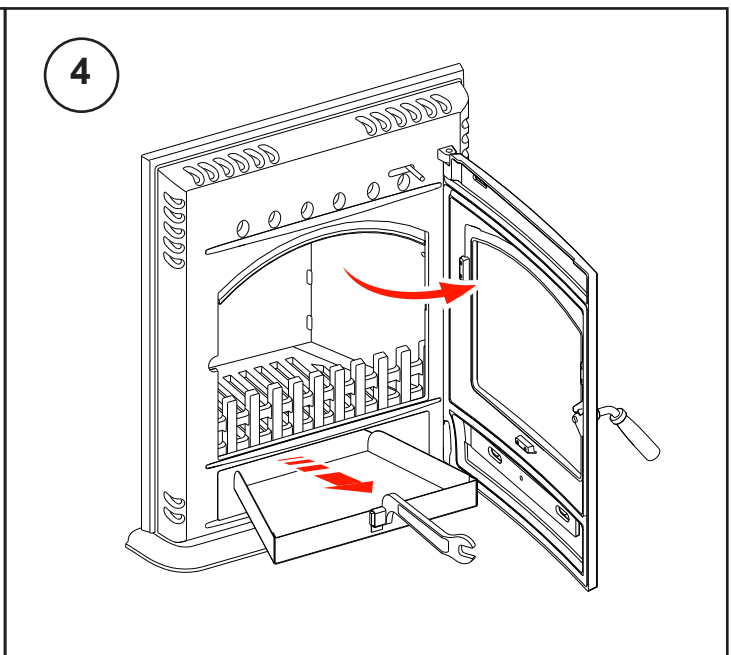
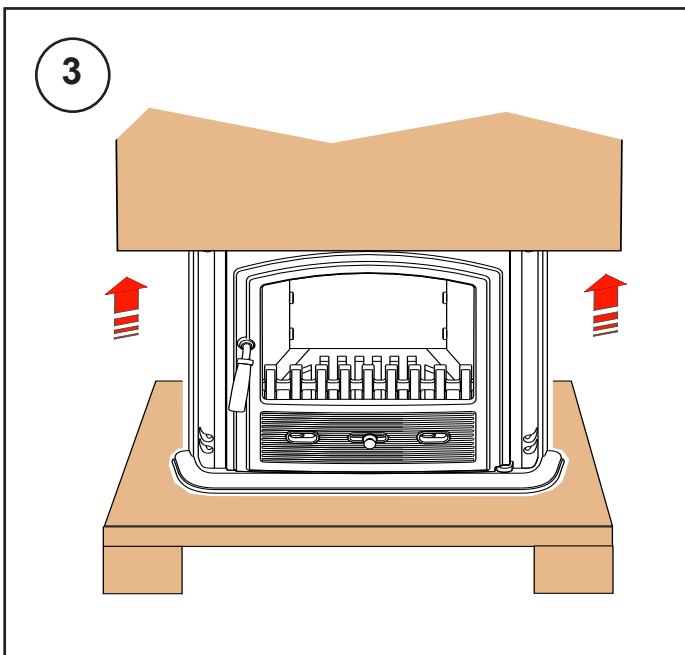
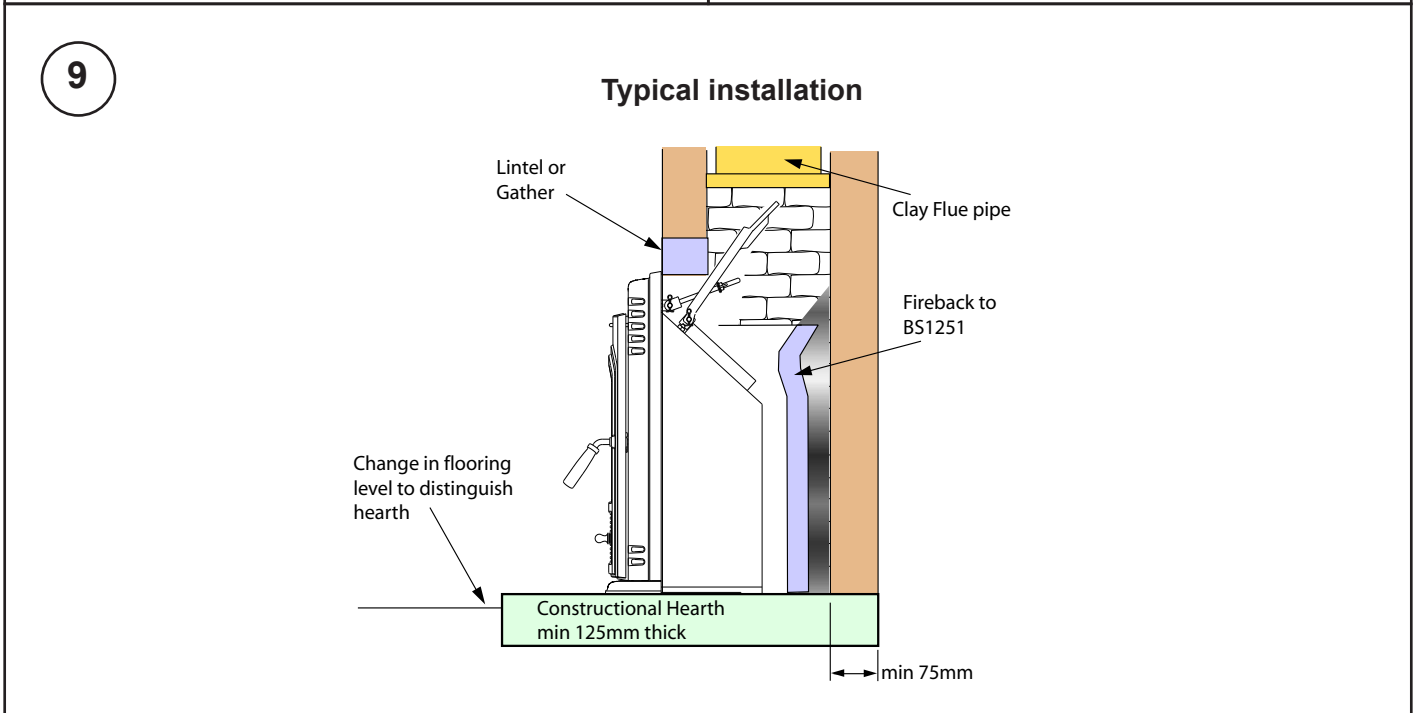
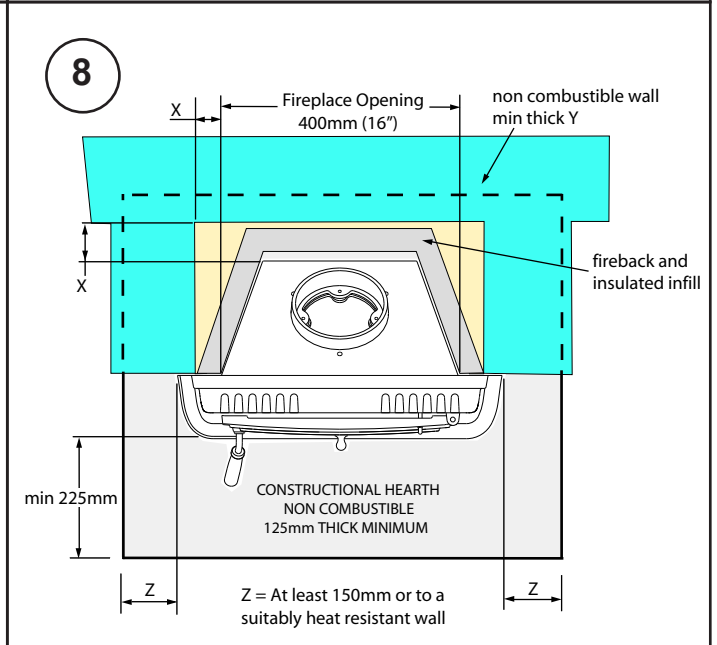
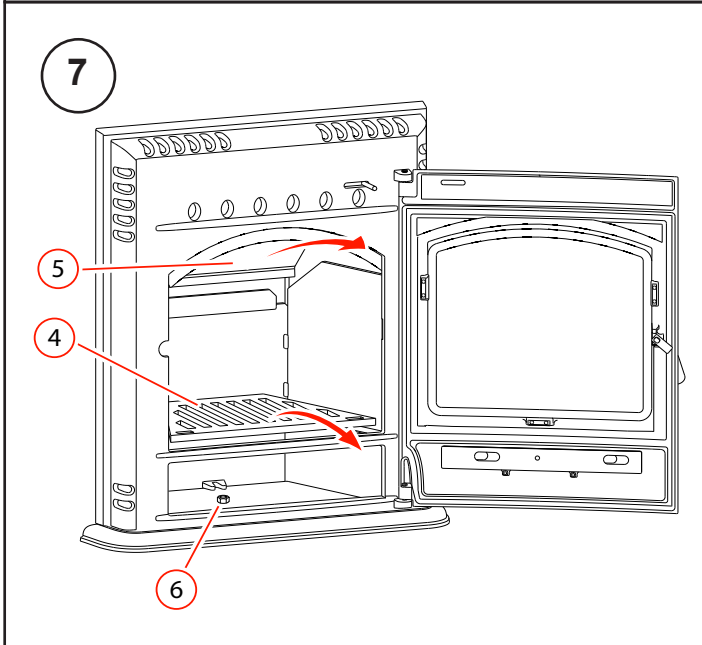
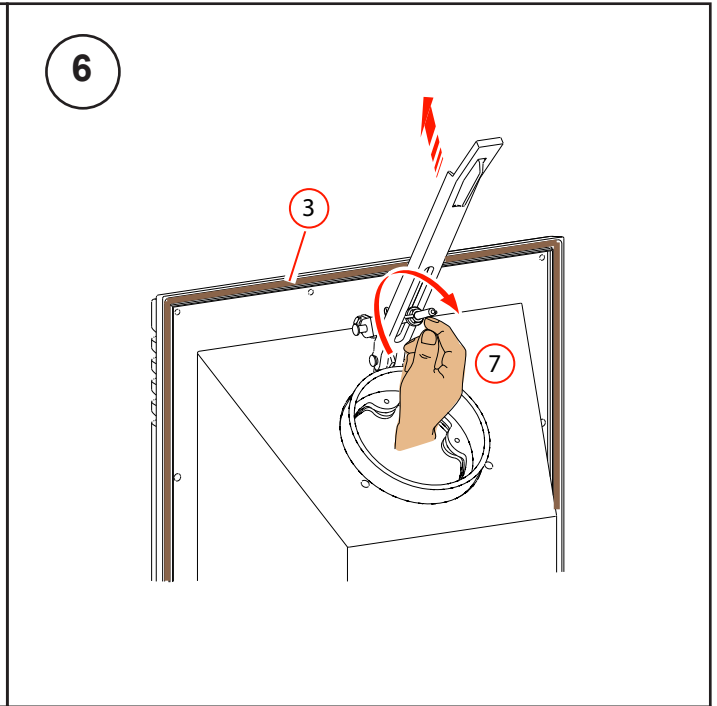
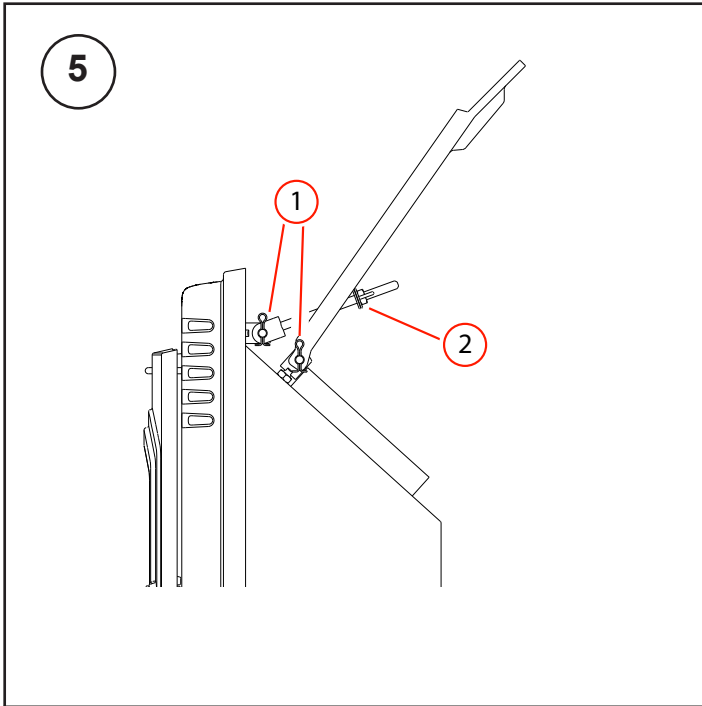


Table 1 - Dimensions	A	B	C	D	E	F	G	H	J	K	L
Westcott Inset	598	492	538	255	393	105	185	190	88	365	152

Note: All Dimensions in mm. Dimensions stated may be subject to a slight ± variation. (25.4mm = 1")

Table 2 - Technical Specification		Westcott Inset WST4i	
		Wood	Solid Fuel
Nominal heat output	kW	4.3	3.9
Efficiency	%	80.9	75.0
CO Emission (@13% O ₂)	%	0.67	0.56
Flue Gas Temp	°C	215	162
Flue Gas Mass Flow	g/s	2.9	3.8
Refuel Period	hr	1	
Safe Distance to Combustible Materials	mm	275mm to sides/front, 295mm to top	
Flue Outlet Size	mm	152	
Product Weight	kg	75	





Wescott 4.3kW Multifuel Inset Stove (WST4i)

IMPORTANT: THESE INSTRUCTIONS SHOULD BE READ CAREFULLY AND RETAINED FOR FUTURE REFERENCE

Important Safety Advice

Please read these instructions carefully before installing or using this appliance. Failure to do so may result in damage to persons and property.

Installation of this appliance must be carried out by a suitably qualified competent person in accordance with all Building Regulations, including those referring to Local Authority Bye-Laws, National and European Standards and Codes of Practice.

Do not install this appliance on a shared flue.

This appliance operates at very high temperatures and retains its heat for a period after use. Do not touch any surfaces while in use. All persons including children and the infirm should be warned of this and not allowed to touch any surfaces while in use. Please use a suitable fireguard to prevent contact when in use.

Do not place any photographs, paintings, TV's or other combustible items near the appliance as exposure to hot surfaces will cause damage. Maintain safe distances from combustibles in all cases in accordance with these instructions – please refer to installation.

The operator must use the tools provided. The mitten provided is a tool.

Do not fit an extractor fan in the same room as this appliance.

Ensure that there is adequate ventilation in the room in accordance with building standards. Do not obstruct any of the air inlets or outlets on the appliance.

A flue damper should not be fitted when burning solid fuels other than wood.

This appliance is for domestic heating use only in accordance with these operating instructions. Do not make any unauthorised changes to the appliance.

Only use recommended fuels. Do not burn petroleum coke fuels, household waste or plastic in this appliance.

Burn only fuels with a low moisture content - burning soft or wet fuels such as unseasoned timber or peat will only result in a build up of tar in the stove and the chimney and will cause staining of the glass.

Do not use flammable liquids to ignite the fire.

Avoid the use of aerosols in the vicinity of the stove when it is in operation.

Clean your chimney at least once a year and clean the flue way monthly to ensure there are no blockages. Do not allow a build up of ash to occur in the ash pan as this will cause the grate to burn out prematurely.

Regular maintenance should be carried out by a Competent Engineer.

Fire Cement/Glue: Some types of fire cement/glue are caustic and should not be allowed to come into contact with the skin. Use suitable protective gloves when handling. In case of contact, wash immediately with plenty of water.

Asbestos: This appliance contains no asbestos. If there is a possibility of disturbing asbestos as a result of installation then specialist guidance must be sought prior to installing.

Please Note: Any white deposits on the stove joints are caused by humidity reacting with the joint sealant. These deposits are not cause for alarm and may be brushed off using a soft cloth. If required the joints may be blackened again with a proprietary stove polish.

Installation Instructions

General

These instructions give a guide for the installation of the stove but in no way absolves the installer from responsibilities to conform to all relevant standards relating to the installation of solid fuel appliances.

This stove is designed to be recessed in a standard 16" sized fireplace opening. The stove is only suitable for use on a fireplace and chimney that has been fitted for use with solid fuel. The fireplace backpanel and hearth must have the necessary expansion joints and the backfilling suitable for solid fuel use.

We recommend that for UK installations a HETAS registered installer should be used, who will be able to give a Certificate of Compliance that installation complies with Building Regulations. In Ireland a registered installer from the Irish Nationwide Fireplace Organisation should be used.

Please note that to the best of our abilities these instructions are correct at time of printing, however we cannot be held responsible for any differences in legislation which may occur in the future.

Chimney

Before installing, check the chimney is in good condition; dry and free from cracks and obstructions. The diameter of the chimney flue should not be less than 125mm and not more than 200mm. If any of these requirements are not met, the chimney should be lined by a suitable method by a qualified person.

The chimney height and the position of the chimney terminal should conform to Building Regulations. If you have any doubts about the suitability if your chimney, consult your local dealer or stockist.

The chimney must be swept thoroughly before connection to the stove and swept at least once a year by a qualified chimney sweep. If there is no existing chimney then either a prefabricated block chimney or a twin walled insulated stainless steel flue to BS4543 can be used. These chimneys must be fitted in accordance with the manufacturers instructions and in compliance with Building Regulations.

This product must not be installed on a shared flue.

Flue Deposits

If the chimney was previously used as an open fire, it is possible that the higher flue gas temperatures generated by the stove may loosen deposits that were previously adhered to the inner surface of the flue pipe which could cause a blockage. We recommend that in this situation a second sweeping of the chimney should be carried out within one month of initial stove use after installation.

Stove Assembly

1. Remove the straps and lift off the upper box (**Fig 3**).
2. Remove the plastic bag, Open the stove door and remove all the contents including the fixing bar (**Fig 4**).

Health and Safety Precautions

Handling: Adequate facilities must be available for the unloading and handling of this appliance. This product is heavy and should be handled with care. When handling or servicing this stove care should be taken to avoid the possibility of personal injury. Use protective clothing.

3. Secure the fixing bar using the hinge pins and after feeding the tightening bar through the fixing bar, add the washers and wingnut onto the end (1 & 2, Fig 5).
4. Open the sealing kit supplied and glue sealing rope into the channel on rear edge of appliance (3, Fig 6). Use suitable protective gloves when handling glue to prevent contact. In case of contact, wash immediately with plenty of water.
5. Remove the grate and the baffle plate (4 & 5, Fig 7). Place the inset stove into position in the fireplace and mark the intended position of the fixing screw through the hole in the bottom of the appliance (6, Fig 7). Remove the stove and drill a hole then insert the rawl plug supplied. Re-position the stove and screw into place.
6. Create a seal with the fascia of the fireplace making sure the rope seal comes into contact with the fascia. Place hand through the stove collar and tighten the wingnut on the tightening bar (7, Fig 6). The fixing bar creates pressure when it contacts the chimney/lintel. The stove should be tightly sealed to the fireplace fascia.

Floor Protection & Installation Clearances

In all instances the stove should be positioned on a non-combustible hearth and located in a suitable solid fuel fireplace recess. The construction of the hearth and fireplace recess must conform to Building Regulations, must be firm, made from non-combustible materials and capable of supporting the stove. Care should be taken to ensure the stove is level and the hearth is secure. The hearth itself should not be less than 125mm thick, including the thickness of the floor and any decorative top surface (e.g. tiling). Allow an apron of at least 225mm at the front of the stove in case of spills when de-ashing and 150mm on either side (Fig 9 & 10). All walls adjacent to the hearth should be made from solid non combustible material and be made with minimum thickness as follows:

Appliance distance X from wall	Min Wall Thickness Y	Min solid wall height 300mm above the appliance and 1.2m above the hearth
less than 50mm	200mm	
50mm and over	75mm	

The minimum safe distances to combustable materials that must be observed is 275mm to sides/front, 295mm to top.

Any surrounding combustible material should not exceed 80°C.

Room Ventilation

For safe operation this stove must be provided with combustion air supply in addition to normal room ventilation, in accordance with Building Regulations. Minimum ventilation requirements vary depending on whether the dwelling is considered to be of standard construction or of airtight construction, or if a flue draught stabiliser has been fitted. The required open air vent sizes are as follows:

Standard build dwellings {air permeability >5.0m ³ /(h.m ²)}	
No Flue Stabiliser	No additional vent required
With Flue Stabiliser	13 cm ²
Airtight build dwellings {air permeability ≤5.0m ³ /(h.m ²)}	
No Flue Stabiliser	24 cm ²
With Flue Stabiliser	37 cm ²

Flue Draught

The chimney should be checked before the stove is installed to ensure that there is adequate flue pull. The draught can be checked initially by using a smoke match close to the flue opening. If the chimney doesn't pull the smoke it may suggest that the chimney needs further attention. Any remedial work to the chimney flue should be carried out by a suitably Qualified Engineer.

A flue draught of minimum 12 Pascal to maximum 25 Pascal is required for satisfactory appliance performance. The flue draught should be checked under fire at high output and if it exceeds the recommended maximum a flue draught stabiliser (or flue damper as it is also known) must be fitted so the rate of burning can be controlled and prevent overfiring.

An extractor fan must not be used in the same room as this appliance.

Flue Damper/Draught Stabiliser (Not Supplied)

A flue damper may be fitted to reduce the draught through the stove if the draught is too high. When the damper is set in the open position the chimney draws at full draught, increasing the volume of air flow through the stove and flue. Shutting the damper restricts the flow, slowing the rate of burning.

The damper should be fitted to the stove flue and should be the same size as the flue pipe. As a rule it should be fitted no closer than 700mm from the flue outlet of the appliance.

A flue damper should not be fitted when burning fuels other than wood.

Commissioning

Upon completion of installation, allow a suitable period of time for any fire cement or mortar to dry out. The stove and flue system should then be tested by a suitably qualified person to make sure it is safe for normal use. A smoke draw test should be completed to check for soundness of joints and seals and also that all smoke and fumes are taken from the appliance up the chimney and emitted safely.

First warm the flue with a blowlamp or similar for about 10 minutes. Place a lit smoke pellet on the centre of the grate with the air controls open. Close the door – the smoke should be drawn up the flue and be seen to exit from the flue terminal. Complete the test with all windows and doors shut in the room where the appliance is fitted. If a ceiling fan is present it must be operated on max for the duration of the test. If there are any extraction fans in adjacent rooms these too must be operated on maximum setting during the test with the interconnecting doors open. If any spillage occurs, recheck the suitability of the flue system making sure there is adequate air supply to the room (as per Building Regulations).

Light the appliance and slowly increase the temperature to medium operating levels. The stove should not be run at full output for the first 3-4 burn cycles. Open the main fire door when the appliance reaches normal operating condition and carry out a spillage test using a smoke match or pellet around the door opening. If any spillage occurs, open all windows, allow the fire to go out and recheck the flue system and ventilation.

Operating Instructions

Please read fully these operating instructions and advise any other users of the correct operating procedures for this stove.

Warning: The door and operating handles become hot when the stove is in use. For your safety use the glove provided.

This stove will remain hot for a long time after the fire has extinguished. Do not operate stove with the door left open.

Initial Firing of Stove

We recommend that you have 3-4 small fires before you operate your stove to maximum heat output. This is to allow the paint to cure and the castings to relax and consolidate location. We recommend this 'running in' procedure after long idle periods to preserve the life of the stove. During this you may notice an unpleasant smell as paint and fire cement cures. It is not toxic but for your own sake we would suggest that during this period you leave all doors and windows open.

Air Controls

Primary air is controlled via the sliding vents (**Fig 2a**) in the bottom of the door; this provides a conventional air draught to the bed of the fire. Moving the slider to the right increases the air intake, to the left reduces the air intake.

Secondary air is controlled via the sliding vent (**Fig 2b**) above the door. It is this 'Airwash' that keeps a clean and uninterrupted view of the fire, also aiding in good secondary combustion of fuel and reducing emissions into the chimney and environment.

Lighting the Stove

Place fire lighters or paper and kindling on the grate. Light the fire at base leaving all air controls open. Allow the fuel to reach a steady glow and build the fire up gradually. Once you have a good fire established across the grate bed, further fuel can be added as required. When your fuel is well alight you can start to restrict the air intake to achieve desired burn rate. For wood burning the primary air control can be closed fully when the fire is well alight.

Running the Stove

When your fuel is well alight you can start to restrict the primary air intake. If you are only burning wood the primary air control can be fully closed. If you are burning solid fuel you will require more primary air. Your stove is burning with maximum efficiency when a bright fire is achieved using minimum air inlet.

With a full load the stove will need to be refuelled approximately every 1.5hrs. Care should be taken that the stove is not over filled - fuel should not be filled above the base of the baffle plate. The stove is not suitable for overnight burning.

This stove is capable of intermittent operation.

Notes on Wood Burning

Wood burns best on a bed of ash and it is therefore only necessary to remove surplus ash from the grate occasionally. Burn only dry, well seasoned wood (< 20% moisture), which should have been cut, split and stacked for 12 months with free air movement around all sides of the stack to enable it to dry out. Burning wet or unseasoned wood will create tar deposits in the stove and chimney and will not produce a satisfactory heat output. When loading wood, make sure that the end grain of the wood in the stove is pointing away from the glass otherwise the moisture and gases coming from the end grain of the wood will dirty the glass.

The maximum log length that should be used is 200mm (8").

Notes on Solid Fuel burning (Other than Wood)

Always de-ash the grate before refuelling and do not let the ash build up to the underside of the grate bars. Solid fuel produces ash, which if allowed to build up will stifle the air flow through the grate and will eventually cause the fire to die. It is important it is to empty the ash pan after each firing of the stove. Air passing through the firebed cools the grate. Distortion or burning out of the grate bars is nearly always caused by ash being allowed to build up on the underside of the grate. With some solid fuels a residue of burnt fuel or clinker will accumulate on the grate. Allow the fire to go out periodically to remove this.

We recommend the majority of approved manufactured smokeless fuels. Note that different types of fuel will give different performances. Should any difficulties arise over fuel quality or suitability, consult your local supplier or contact the Solid Fuel Advisory Service. Do not use this stove as an incinerator for household waste as fumes from plastic, etc will cause pollution to the atmosphere and will cause damage to the stove.

Petroleum coke fuels or household waste should not be burned on this appliance.

Shutting Down

To shut down the stove, close the primary air controls and then the secondary air controls by moving both sliders to the left. If the controls are left in this position the fire will be starved of air and will go out. To revive the fire open the primary air controls first, then the secondary air.

De-Ashing

This insert stove is fitted with a removable cast iron grate. It is important to de-ash the stove regularly to prevent ash build up which may impede the primary air input.

Where possible, it is best to wait until the stove and ash has cooled before removing the ash pan. To remove, open the stove door by turning the handle anti-clockwise (**Fig 2c**) then using the hand tool provided lift the ash pan out of the fire (**Fig 4**). For efficient burning of your appliance, make sure the grate is clear of burnt debris; e.g. nails, etc. Dispose of the ash into a non combustible container until the ash has cooled down completely to room temperature.

If shutting down the stove for long periods (e.g. for summer months) make sure that all ash is removed from the stove and that the chimney flue ways and baffle plate are brushed clean. When the stove is cold a vacuum cleaner may be used to remove any residual ash or soot. Close the door and leave all air inlets open fully. This action will ensure air circulation through the appliance and will help to avoid corrosion and condensation within the appliance during this shut down period.

Safety Notes for Your Guidance

FIRES CAN BE DANGEROUS.

Always use a fire guard in the presence of children, the elderly or the infirm. Inform all persons the dangers of high temperatures during operation of the appliance including the stove pipe.

Use operating tool and glove provided.

DO NOT OVER FIRE.

It is possible to fire the stove beyond its design capacity. This could damage the stove, so watch for signs of over firing. If any part of the stove starts to glow red, the stove is in an over fire situation and the controls should be adjusted accordingly to reduce air intake. Never leave the stove unattended for long periods without adjusting the controls to a safe setting. Careful air supply control should be exercised at all times.

Warning - Fume Emissions

Properly installed and operated, this appliance will not emit fumes. Occasional fumes may occur if the door is open when de-ashing and refuelling. Persistent fume emission must not be tolerated. If fume emission does persist, then the following immediate action must be taken:

1. Open doors and windows to ventilate the room.
2. Let the fire out, or eject and safely dispose of fuel from the appliance.
3. When the stove has cooled, check for chimney flue blockage and clean if required.
4. Do not attempt to relight the fire until the cause has been identified. If necessary seek professional advice.

General Maintenance

Baffle Plate

This should be removed at least once a month to prevent any build up of soot or ash, which could lead to blocked flue ways and dangerous fume emission. This must be done when the stove is cold. To remove, lift plate up and rotate to clear fixings. Make sure the plate is returned to correct position when placed back in the stove.

Stove Body

The stove is finished with a heat resistant paint and this can be cleaned with a soft brush. Do not clean while the stove is hot, wait until it has cooled down. The finish can be renovated with a suitable brand of paint.

Glass Panels

Clean the glass panels when cool with a proprietary glass cleaner. Highly abrasive substances should be avoided as these can scratch the glass and make subsequent cleaning more difficult. Wet logs on heated glass, a badly aimed poker or heavy slamming of the doors could crack the glass panels. The glass will not fracture from heat.

Chimney

Check your chimney each year before starting to use your stove for the winter. Birds may have nested in the chimney or masonry may have cracked. Both chimney and flue pipe must be swept at least once a year by a Qualified Chimney Sweep.

Troubleshooting

1. Poor heat output

- a. Stove too small for room: Seek advice from a Qualified Heating Engineer as to (kW) output required for the room size. As a guideline the volume of the room in cubic feet divided by 500; e.g. room 15'x15'x8' would require 3.6kW approx.
- b. Chimney and/or flue pipe restricted, room ventilation restricted: On installation these should have been checked but regular maintenance is necessary as conditions can change; e.g. soot build up, birds nesting, masonry fall, dust build up or furniture blocking vents.
- c. Poor quality fuel: Only burn dry seasoned timber, soft woods have a lower heat output than hard woods per hour.

2. Dirty Glass Panel

- a. Generally caused by poor fuel quality, see (1c)
- b. Use secondary air slide (Airwash) for glass panel
- c. Fire burning too low, open air vents on stove to create hot fire; this may 'burn' glass clean.
- d. If glass requires cleaning use glass cleaner recommended by your supplier; only use glass cleaner on cold glass. DO NOT USE any abrasives or scrapers as these will scratch glass and increase future tar build up making it harder to clean.

3. Unburnt Fuel in Firebox

Insufficient air reaching fuel. Open primary air slide, this will supply combustion air to burn fuel fully (unless it has reached a 'point of return'). Check if the ash pan is full and empty if required. De-ash to make sure the grate is not blocked and check for jammed clinker or nails when the fire is out and the stove has cooled.

4. Smoke and Fumes Entering Room

These are very dangerous and must NOT be tolerated. Open window and allow fire to burn out. Seek expert advice immediately. DO NOT USE stove until the problem is solved.

5. Chimney Fire

Identified by loud roaring sounds, dense smoke and sparks emitting from chimney.

- 1) Raise the alarm to let others in the house know.
- 2) Call the Fire Brigade.
- 3) If possible, shut down the air supply by closing air vents and DO NOT open the stove door.
- 4) If possible, move back any furniture, rugs or other items that could catch fire.
- 5) Retire to a safe distance from the house until the fire has gone out and it is safe to return.

Regular chimney maintenance will prevent chimney fires. Seek advice from a Qualified Chimney Sweep. Chimneys must be checked annually.

After Sales Service

As a sign of our commitment to quality, all new Dimplex solid fuel stoves are guaranteed against casting faults and other manufacturing defects for 10 years in the case of non-boiler stoves and 5 years in the case of boiler models, subject to certain conditions and exclusions. The guarantee covers the main body of the stove and external cast parts under normal domestic use - it does not cover use in commercial premises. The guarantee period begins on the date of purchase. The guarantee covers replacement of the parts found to be defective but does not cover labour charges.

Conditions and Exclusions:

The guarantee does not cover the following items which are deemed to be consumable items under normal use: glass, rope seals, grate, ashpan, cast iron liners, riddling lever, baffle plate, fire bricks and log retainer.

It is a condition of the guarantee that the installation complies with relevant Building Regulations and is carried out by a suitably qualified individual (HETAS registered in England and Wales, or equivalent in other countries) with certificate of installation and appropriate commissioning retained by the end-user along with proof of purchase.

Whilst the guarantee does not cover any aspect of the flue arrangements for the installation, or the installation work itself, as these are beyond the control of Dimplex as the manufacturer of the stove, it is a condition of the guarantee that the flue be swept by a suitably qualified individual as appropriate but at a minimum interval of once per year. It is expected that the stove would be inspected for developing faults at the time of sweeping to allow any necessary maintenance to be carried out.

Damage or defects caused by the following are excluded: over-firing, use of inappropriate fuels such as petroleum coke or household rubbish, flue draft problems, ventilation issues, accident, misuse, fair wear and tear, unauthorised modifications or repairs made using incorrect spares.

In normal usage the paint finish of the stove may change colour slightly and in the case of enamel finishes, may develop hairline cracks. As these circumstances are considered normal, they are not covered by the guarantee. Over-firing of an enamelled stove can cause the finish to flake off. Damage caused by over-firing is excluded from the guarantee.

It is a condition of the guarantee that only genuine Dimplex spare parts are used. Parts that may need occasional replacement are fire bricks, ashpan, grate and log retainer. NB: sealing rope and rope adhesive are generic stove spares that can be purchased from most stove retailers. Provided the rope seals are replaced like for like and fixed with appropriate stove rope adhesive, this will not invalidate the guarantee.

Genuine Dimplex spare parts are available in the UK direct from the manufacturer and can be ordered via www.dimplex.co.uk or by telephone on 0845 600 5111. For Republic of Ireland orders see www.dimpco.ie or Tel: 01 842 8222

Dimplex reserves the right to provide either replacement parts or a replacement stove, at their sole discretion, in order to satisfy claims made under this guarantee.

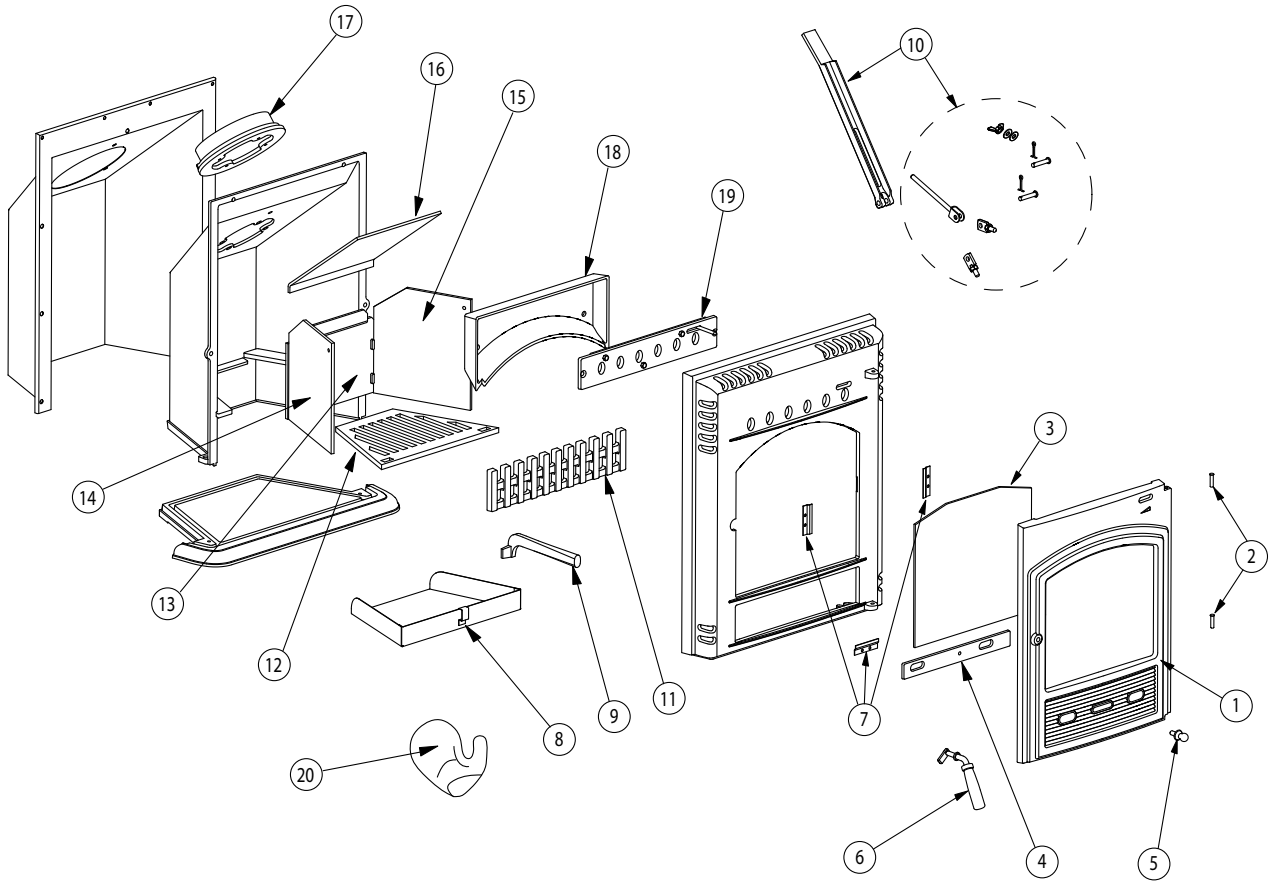
Replacement parts or stoves are covered only for the remainder of the original guarantee period.

Dimplex will not be held responsible for any consequential or incidental loss, damage or injury, howsoever caused.

The Dimplex stove guarantee does not affect, and is in addition to, your statutory rights.

Should you require after sales service or should you need to purchase any spares, please contact the retailer from whom the appliance was purchased. Please do not return a faulty product to us in the first instance as this may result in loss or damage and delay in providing you with a satisfactory service. Please retain your receipt as proof of purchase.

Westcott 4.3kW Inset (WST4i)



WESTCOTT 4.3KW INSET STOVE (WST4i) - SPARE PARTS

Item	Description	Part Number	Item	Description	Part Number
1	DOOR	3013001	11	LOG BAR	3011024
2	DOOR PINS (X2)	3013002	12	GRATE	3011025
3	DOOR GLASS	3013003	13	BACK PLATE	3011096
4	PRIMARY AIR SLIDE	3011016	14	SIDE PLATE RH	3011097
5	PRIMARY AIR KNOB	3011095	15	SIDE PLATE LH	3011098
6	DOOR HANDLE ASSEMBLY	3011017	16	BAFFLE PLATE	3011027
7	GLASS FIXING BKTS (X3)	3011018	17	FLUE COLLAR	3011028
8	ASHPAN	3011019	18	AIRWASH	3011099
9	HAND TOOL	3011093	19	AIRWASH SLIDE ASSY	3011101
10	FIXING BAR & ACCESSORIES	3011021	20	PROTECTIVE GLOVE	3011094

DIMPLEX
MILLBROOK HOUSE
GRANGE DRIVE
HEDGE END
SOUTHAMPTON
SO30 2DF

TEL: 0845 600 5111
FAX: 01489 773050
WEBSITE: www.dimplex.co.uk

Republic of Ireland Tel: 01 842 8222

[c]A Division of GDC Group Ltd.

All rights reserved. Material contained in this publication may not be reproduced in whole or in part, without prior permission in writing of GDC Group Ltd.