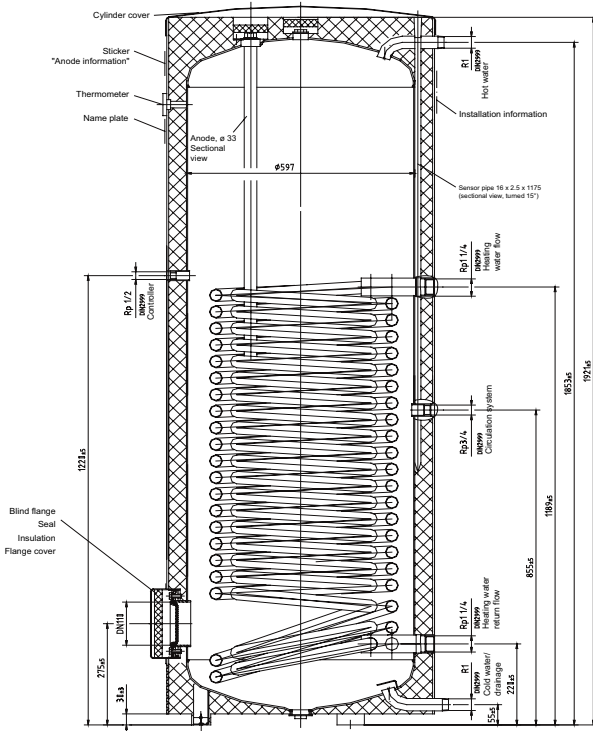


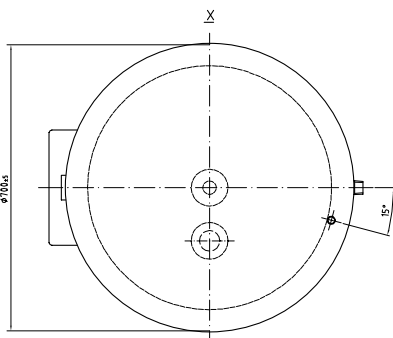
6.1.8 Device information, hot water cylinder WWSP 900



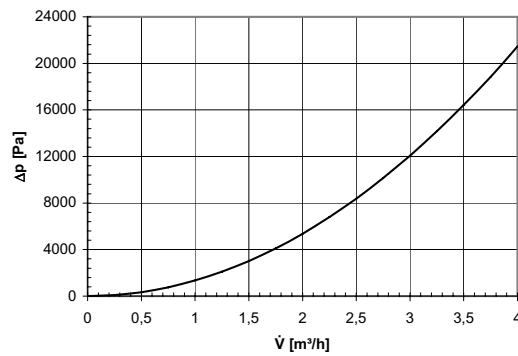
Technical data	
Nominal volume	500 l
Usable capacity	433 l
Heat exchanger surface area	5.65 m ²
Height	1,920 mm
Width	
Depth	
Diameter	700 mm
Pivot measurement	2,050 mm
Max. operating temperature, heating water	110 °C
Max. operating pressure, heating water	10 bar
Max. operating temperature, hot water	95 °C
Max. operating pressure, hot water	10 bar
Heat loss ¹	2.45 kWh/24h
Cylinder weight	180 kg

1. Room temperature 20 °C; cylinder temperature 50 °C

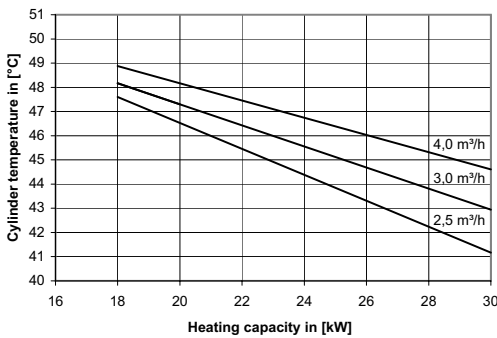
Connections	
Kaltwasser	1" external thread
Hot water	1" external thread
Circulation	3/4" internal thread
Heating water flow	1 1/4" internal
Heating water return flow	1 1/4" internal
Flange	TK150/DN110
Anode diameter	33 mm
Anode length	1,100 mm
Anode connection thread	1 1/4" internal
Immersion sleeve	1/2" internal thread



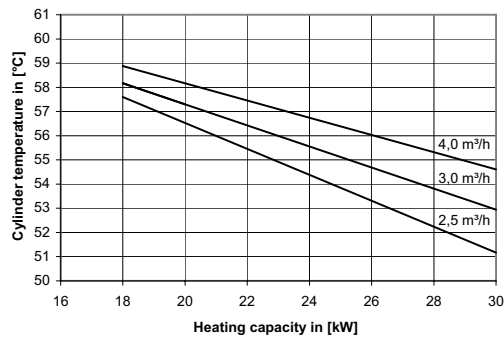
Pressure drop, hot water cylinder:
 $t_{water} = 20 \text{ °C}$, $p_{water} = 2 \text{ bar}$



Attainable cylinder temperatures at 55 °C flow temperature



Attainable cylinder temperatures at 65 °C flow temperature



Depending upon the heat pump manager of the heat pump system, different hot water sensors must be installed.
 WPM 2006 with integrated display and round buttons => standardised NTC-2 sensor
 WPM 2007 with removable control panel and rectangular buttons => NTC-10 sensor