

Contact Details

Please note that some of the contact details on this PDF document may not be current.

Please use the following details if you need to contact us:

Telephone: 0844 879 3588

Email: customer.services@gdcgroup.co.uk

The customer support section of our website also features a wide range of information which may be of use to you and is available 24 hours a day. It includes:

- Operating and installation instructions
- Easy 'How to use' guides for storage heaters
- Service and repairs
- Where to buy our products
- Literature downloads
- Heating requirement calculator

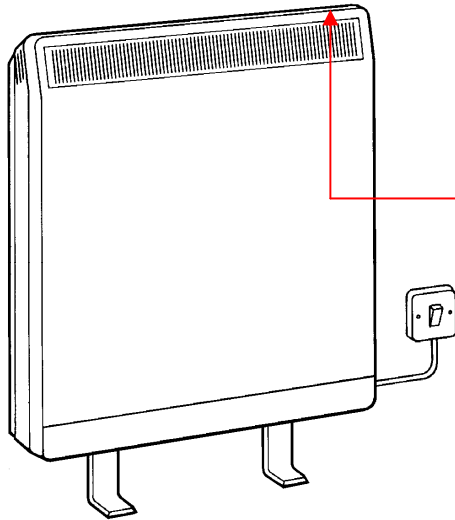
Visit - www.dimplex.co.uk/support

Quick Start Guide

XL and CXLS Storage Heaters

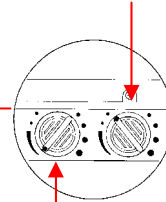
This guide is for quick reference only. Refer to the appropriate installation and operating instructions for further information

XL storage heater



Heater controls

Input control — controls the temperature of the heater
Adjust control for the first few days until your ideal room temperature is found. The higher the setting, the warmer your heater will get.*



Boost control — controls the amount of heat given later in the day

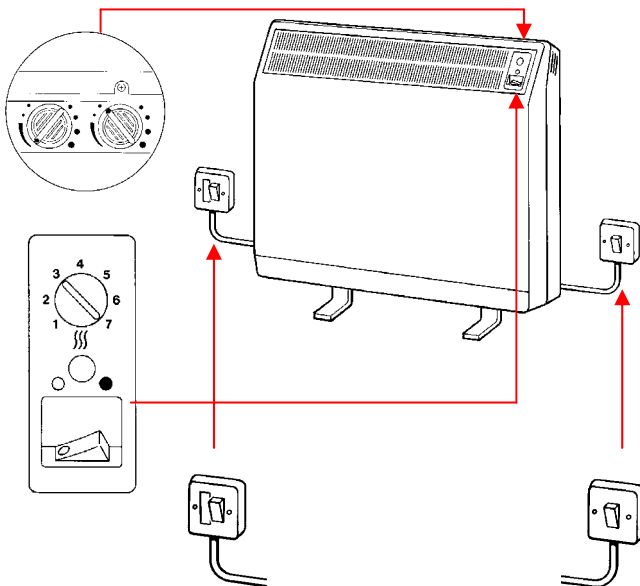
Normally leave boost setting at minimum. Turn up if more heat is required later in the day. Leaving the control on a higher setting will provide automatic boost each day.

On/Off switch

Leave on for heating season



CXLS storage heater and control position



Heater controls

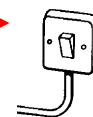
Input control — controls the temperature of the heater
Adjust control for the first few days until your ideal room temperature is found, then leave on this setting. The heater will automatically adjust for changing weather conditions.*

Boost control — controls the amount of heat given later in the day

Normally leave boost setting at minimum. Turn up if more heat is required later in the day. Leaving the control on a higher setting will provide automatic boost each day.

Storage on/off switch

Leave on for heating season

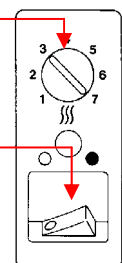
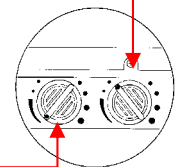


Convactor boost heat setting

Thermostat control to select your chosen comfort level.

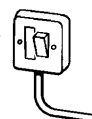
Convactor boost on/off switch

Switch it on if top up heat is required. Neon light shows when boost is selected.



Convactor on/off switch

Leave on



* **NOTE:** Changes to the input control setting will not come in to affect until the next period of off peak (cheap rate) electricity is available.

If you are unsure when your off peak supply is available, contact your electricity provider.

WARNING: Walls, curtains and furniture should be at least 75mm away from the top and sides of the heater. Furniture and other obstructions should be at least 150mm from the front of the heater. **DO NOT COVER** or obstruct the air inlet or outlet grilles. **PLEASE REFER TO THE OPERATING AND INSTALLATION INSTRUCTIONS FOR FURTHER SAFETY ADVICE.**