

CXDE Infrared Heater



Technical Details

Controls	Digitally controlled, accurate electronic thermostat Timer modes: 7 Day Programmable User Timer Continuous heat modes: Manual, Runback, Off
Controller UI	Off-board control only
Controller Functions	<ul style="list-style-type: none"> Open Window Detection Advance time period Heat Selection (High/Low) for 3/4.5kW models Bluetooth for control Master/Slave/PIR 6.3mm male push-on terminals
Construction	Durable epoxy-polyester powder coated steel casing with chrome plated grille
Element	Ceramic no glow radiant elements
Installation	Supplied with wall mounting bracket
Safety	No cut-out on-board. Protection via RCD
IP Rating	IPX4
Battery Backup	None. Time and date must be re-programmed in event of power loss to the product
Supply	1.3 metres fitted, 3 core for fused spur installation, 1/N/PE -230-240 V, 50 Hz Class I, with earth wire
Colour / Finish	Powder coated steel, finished in Matte Black

Mode/Item No.(EAN-Code 5011139+Item No.)	060327 CXD2000VE	060310 CXD2000HE
Output (kW)	2.0	2.0
No. of Elements	2	2
Height (mm)	380	255
Width (mm)	442	735
Depth (mm)	121	248
Weight (kg)	5.5	5.2
Min. Installed Height (M)	1.8	1.8
Recommended Installed Height (M) - Dimension A	2.0	2.0
Dimension B - Throw	3.0	2.0
Dimension C - Spread	4.0	4.5
Packaging Details		
Height (mm)	430	300
Width (mm)	505	770
Depth (mm)	170	170
Packed Weight (kg)	6	6.5
Ti	4	4
Hi	10	8
Pallet Quantity(2.4m high)	40	32

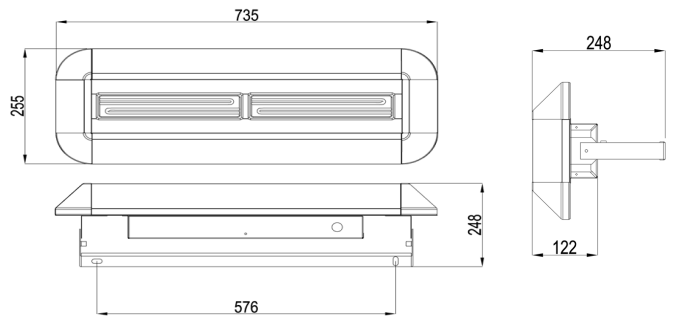
Product Description

CXDE features an electronic thermostat for temperature-based lamp power-on. The CXDE also features a built-in 7 day timer which can be set-up and activated via Bluetooth remote

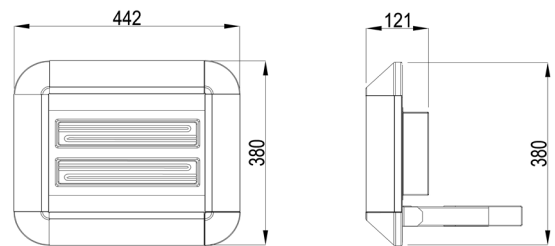
Key Features

- Seven-day timer and temperature control (programmed via an additional remote)
- Accurate electronic thermostat
- Features energy-saving Open Window Detection
- Same size and fixings as older Dimplex CXD heaters
- Available in a compact or wider throw
- Complies with Lot 20 of ERP Directive

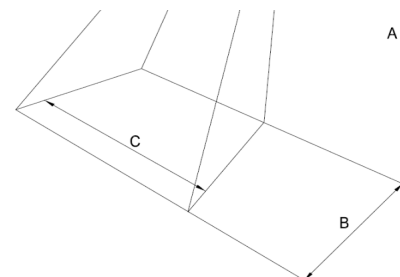
CXD2000HE Dimensions



CXD2000VE Dimensions



Throw Dimensions



Warranty & Approvals

Approvals	CE
Warranty	2 Years
Country of Origin	United Kingdom
Manufacturer	Glen Dimplex Heating & Ventilation