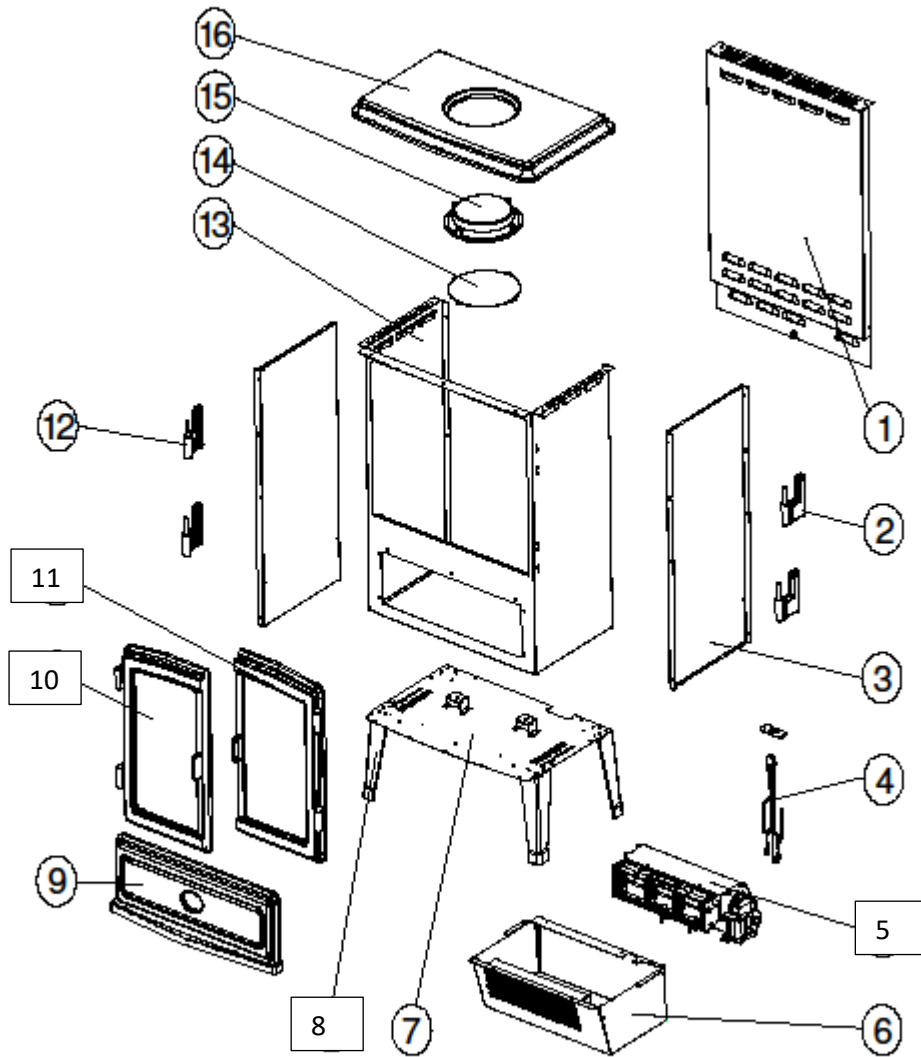


# OAKHURST STOVE



ISSUE 1 - MARCH 2013

3

03 March 2017	045911	OAKHURST SERIES A
ITEM	PART NO	DESCRIPTION
	-	
	ENGINE	
N/S	<a href="#">7513016</a>	FUEL BED
N/S	<a href="#">7513001</a>	FRAME - 400
N/S	<a href="#">7513002</a>	FLAP
N/S	<a href="#">BF7211</a>	ON/OFF SWITCH

N/S	<a href="#">7511015</a>	INRUSH SWITCH
N/S	<a href="#">7513015</a>	CONTROL COVER HEAT
N/S	<a href="#">7511014</a>	TSB THERMOSTAT
N/S	<a href="#">7510005</a>	POT AND LEAD 300MM
N/S	<a href="#">7513004</a>	CONTROL KNOB
N/S	<a href="#">7513005</a>	CONTROLS MOULDING
N/S	<a href="#">7513006</a>	LAMPHOLDER ASSEMBLY 400 (CERAMIC)
N/S	<a href="#">7510047</a>	4 POLE TERMINAL BLOCK
N/S	<a href="#">7513007</a>	SUMP FAN ASSEMBLY
N/S	<a href="#">7513012</a>	CORDSET
N/S	<a href="#">7513008</a>	FRONT
N/S	<a href="#">7511021</a>	24V DC PSU
N/S	<a href="#">7511020</a>	24 VOLT DC FAN MOTOR
N/S	<a href="#">7511036</a>	10 AMP CHOKE
N/S	<a href="#">7511022</a>	MAIN PCB
N/S	<a href="#">7513014</a>	MOLEX PLUG
N/S	<a href="#">7511019</a>	12V HALOGEN POWER SUPPLY
N/S	<a href="#">7511008</a>	SUMP BASE ASSEMBLY
N/S	<a href="#">SP01/70852/0</a>	KERI TRANSDUCER
N/S	<a href="#">7511009</a>	NOZZLE ASSEMBLY
N/S	<a href="#">7511023</a>	BOTTLE AND LID ASSEMBLY
N/S	<a href="#">7513013</a>	IR RECIEVER
N/S	<a href="#">OM08006</a>	ON OFF REMOTE
N/S	<a href="#">OM08001</a>	BULBS (4)
N/S	<a href="#">7511038</a>	CLEANING BRUSH
	-	
	CHASSIS	
5	<a href="#">7513061</a>	BLOWER AND ELEMENT ASSY (1 CUT OUT - PRE 13/04/12)
5	<a href="#">7513046</a>	BLOWER AND ELEMENT ASSY (2 CUT OUTS - POST 13/01/1212)
8	<a href="#">OM09034</a>	FEET (X4)
10	<a href="#">7513079</a>	LEFT DOOR ASSY (HANDLE, GLASS, INNER & OUTER DOOR)
11	<a href="#">7513080</a>	RIGHT DOOR ASSY (HANDLE, GLASS, INNER & OUTER DOOR)