

Cassette 400

Experience Better Living



Cassettes



Optimyst is the world's most realistic 3D electric flame effect for those looking for a truly authentic experience, combined with the safety and low maintenance of an electric solution.

Patented by Dimplex, it offers a flame experience that can be enjoyed from all angles, making it perfect for stunning room dividers and see-through fireplaces. This unique flame effect is generated by an innovative combination of water vapour and light. Optimyst cassettes are truly unique and offer the beauty of a real fire with the simplicity of electric.

Our cassettes enable you to create a stunning centrepiece in any room setting and with a choice of installation options which are ideal for both projects and around the home, you really can design the ultimate focal point.



Optimyst flame technology.

This unique flame effect is generated by an innovative combination of water vapour and light



Variable flame intensity.

Adjust the flame effect up or down



Remote control.

Controlling all functions of the cassette



Manual control.

Can also be operated via the button display on the unit



Easy to fill water bottle.

Can operate for 8-10 hours on a single fill of water



All-round view.

Showing a panoramic view of the flames from every angle



Flexible installation.

Suitable for domestic and commercial projects



Log effect fuel bed.

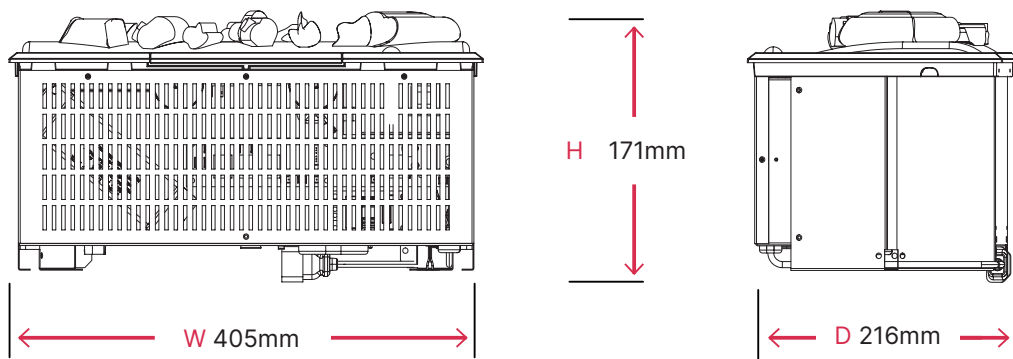
Complete the look of a real fire with the realistic log effect fuel bed



Cassette 400

Experience Better Living

Dimensions



Dimensions		
Height (mm)	Width (mm)	Depth (mm)
171	405	216

Specifications

Technical Details	
Product Type	Cassette
Flame Effect	Optimyst
Model/Range Name	Cassette 400
Model Reference	CAS400-UK
Model Number	X-052131
Bar Code	5011139052131
Warranty	2 years
Heat Output	n/a
Wattage	180W
Voltage	230V/50Hz
Thermostat	N
Power Consumption (flame effect)	180W
Manual Control	Y
Remote Control	Y
Batteries Included	Y - 2 x AAA

Technical Details	
View Type	1, 2, 3 or 4-sided
Lighting Module	Halogen
Water Tank Size	1.1 Litre
Water Supply	Manual fill water bottle
Water Refill	Every 8-10 hrs (approx.)
Water Type	Filtered water only
Free Ventilation Area	Minimum 100cm ²
Fuel Bed Supplied	Logs
Sound	N
Kettle (IEC) Lead	Y
Power Cord Length	1.5m
Unpacked Weight	6kg
Finish/colour	Black
Flame Effect Only	Y
Safety Cut Out	Y